

PRODUCT CATALOG 2026



Behind the Sound

Acoustera specializes in designing and manufacturing high-performance PET Felt acoustic solutions that enhance both sound quality and interior aesthetics.

As a pioneer of acoustic solution producer in Türkiye with 18 years of expertise in 2026, exporting globally, Acoustera combines innovative design with sustainable materials to create high quality products that meet the evolving needs of modern spaces.

Driven by continuous innovation and customer-centric thinking, we collaborate closely with architects, designers, and partners to bring creative visions to life. With a focus on quality, functionality, and design versatility, our products seamlessly integrate into contemporary architecture while contributing to healthier indoor environments.

At Acoustera we are committed to shaping spaces that are not only visually inspiring but also acoustically optimized and sustainably built. We serve a diverse range of sectors including offices, commercial spaces, education, hospitality, residential, delivering tailored solutions that improve acoustic comfort, wellbeing, and productivity. Our acoustic panels are made from recycled & recyclable PET felt, reflecting our commitment to circular economy principles and environmentally responsible production.

We proudly showcase our expanding product range; each item is a testament to our commitment to certified excellence in high quality acoustic solutions. With every new development, we aim to add value to the industry and enrich spaces with the perfect harmony of form and function.

Introducing Pluffy

Our New Invention in Acoustic Raw Material & Design

Acoustera introduces its most recent product portfolio made with Pluffy, an innovation that provides a more balanced & wider range frequency sound absorption.

Pluffy comes with an acoustic performance certified as "A-Class" offering a sound absorption level above industry standards.

With an enhancing molding technology, Pluffy products are flexible, tactile & versatile offering both resilient & sleek design.

Pluffy products offer highly sustainable design solutions, made from recycled and recyclable PET Felt, without compromising from design & quality.



Up to A class
Sound Absorbing
Pluffy fiber technology



Air Permeability
ISO 9237: 1995 -
584.8 l/m2/sec



Does Not Hold
Moisture



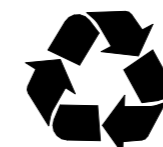
Moisture Resistance &
UV Exposure

Suspended Ceilings -
Requirements And Test
Methods. EN 13964 : 2014
- "B" Class PASSED

Plastics Artificial radiation or
weathering in devices - Part 3:
UV fluorescent lamps. EN
4892-3: 2016 - PASSED



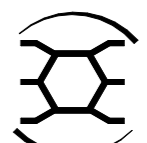
Thermal insulation
0,035 W/mK



100% Recyclable



60% Material from
Recycled PET



Fibre Composition
ISO 1833 - 100,0 %
Polyester

Sustainability

Is At The Core of What We Do

Enhancing Well-being Through Acoustics

Our acoustic solutions transform interior spaces into calm, comfortable environments by reducing noise, echo, and distractions. From offices and schools to hospitals and public venues, our panels improve speech clarity, support focus, and elevate everyday well-being.

Healthier Indoor Living

We prioritise materials that are safe for people and the spaces they inhabit. Our low-emission products, supported by VOC certifications, contribute to healthier indoor air quality and align with globally recognised green building standards including LEED, BREEAM, WELL, and DGNB.

Responsible Materials, Thoughtfully Made

Crafted from 100% PET felt, our products combine performance with responsibility. Our Inherent and Composite ranges are completely chemical-free, while our Color-It products are sourced from partners who meet high environmental standards and hold OEKO-TEX certifications.

Turning Waste into Value

We transform recycled plastics, often post-consumer bottles, into high-performance acoustic solutions. By giving waste a second life, we reduce landfill impact and minimise the need for virgin materials, supporting a more circular future.

Built to Last, Designed to Perform

Our PET felt solutions are durable, resistant to moisture, mold, and wear, and designed for long-term performance with minimal maintenance. Lightweight by design, they also reduce transport emissions, simplify installation, and lower overall environmental impact compared to traditional materials.

Smarter Design for Longer Life

Our modular systems allow individual components to be replaced, extending product lifespan and reducing waste because sustainability starts with making products that last.

Pushing Circular Innovation Forward

We continuously invest in R&D to reduce, reuse, recycle, and repurpose materials. From minimising production waste to developing closed-loop recycling systems and future take-back programs, we are working toward a fully circular model. Today, our PET Felt contains 60% recycled content with a clear ambition to reach 100% without compromising quality.

Stronger Together

Sustainability is a shared journey. We collaborate closely with our stakeholders and partners to drive better practices across our value chain, ensuring lasting impact beyond our products.

Ethical and Responsible Supply Chain

We work exclusively with suppliers who meet strict environmental and social standards. Every partner commits to our Supplier Code of Conduct.

Driving Impact Aligned with Global Goals

Our solutions actively contribute to the United Nations Sustainable Development Goals, including responsible consumption, sustainable cities, good health and well-being, industry innovation, and climate action.

Certified Excellence

Our excellence is proven through rigorous testing and certification.

Acoustera products have certifications for maximum safety, including fire resistance, thermal insulation, antibacterial properties, being emission-free, containing no chemicals, and light fastness.



99.9% Antibacterial test (ISO-20743:2013)



Low VOC
SNV 195 651:1968
Emission free Odourless



Non-Toxic No Chemicals
Formaldehyde Free
ISO 14184-1:2011



Flame Resistant
US: ASTM E 84 A Class
EU: B-s1,d0 (EN 13501-1)



Color Fastness To Pool Water; ISO 105 E03:2010
Color Change: 4-5 (Slightly Change - NoChange)



Light fastness 4+ (ISO-105 B02)



NV-CE-01-1702/26



Stylish & Versatile

Our products are designed like modular building blocks giving you the freedom to "Mix & Match", for creating exactly what you need.

With a wide range of colors, patterns, and customizable options, our PET Felt panels seamlessly integrate into your interior, adding both beauty and functionality.



Compatible
Variety of
Standard Sizes



Easy to Install



Easy to Process



Easy to Clean



Durable



Lightweight



Pinnable



Impact Resistant
Flexible



ACOUSTERA

1,2 — Behind the Sound
 3,4 — Introducing Pluffy
 5,6 — Sustainability
 7,8 — Certified Excellence
 9,10 — Stylish & Versatile

11,12 — **Contents**
13,14 —

15,16 — **Plaid, Ridge, Bold**
 17 — Plaid, Ridge, Bold
 18 — Plaid
 19 — Ridge
 20 — Bold

21,22 — **Moon, Saturn, Venus**
 23 — Moon, Saturn, Venus
 24 — Moon
 25 — Saturn
 26 — Venus

27,28 — **Zig, Zag**
 29 — Zig
 30 — Zag

31,32 — **Corner, Central**
 33 — Corner
 34 — Central

35,36 — **Cross**
 37,38 — Cross

39,40 — **Hex-One**
 41,42 — Hex-One

43 — **Onyxa**
 44 — Onyxa Form

45 — **Onyxa Trio**
 46 — Onyxa Duo

47,48 — **Trigon**
 49 — Trigon
 50 — Trigon Small
 51 — Trigon Medium
 52 — Trigon Large

53,54 — **Quadron**
 55,56 — Quadron

57,58 — **Lolly Pop**
 59,60 — Lolly Pop

61,62 — **Chevy**
 63,64 — Chevy

65,66 — **Reedle**
 67,68 — Reedle

69,70 — **EchoStripe**
 71,72 — EchoStripe

73,74 — **Woody Felt**
 75,76 — Woody Felt Small

77,78 — **Striped**
 79 — Striped Small
 80 — Striped Medium
 81,82 — Striped Large

83,84 — **Rody**

85 —
 86 —
 87 —
 88 —
 89 —
 90 —
 91 —
 92 —

93,94 — **Flame**
 95,96 — Flame

97,98 — **Flame & Light**

99,100 — **Hoop-In**
 101,102 — Hoop-In

103 — **Cross Drop-In**

104 — **CTRL-N**

105 — **Nest-In**

106 — **Sonicdome**

107,108 — **Sound Blades**
 109,110 — **Blade Small**
 111,112 — Blade Small

113,114 — **Blade Medium**
 115,116 — Blade Medium

117,118 — **Blade Large**
 119,120 — Blade Large

121,122 — **Blade X Large**
 123,124 — Blade X Large

125,126 — **Blade Dividers**
 127,128 — Blade Dividers
 129,130 — Blade Divider Module X Small
 131 — Blade Divider Module Small
 132 — Blade Divider Module Medium
 133 — Blade Divider Module Large
 134 — Blade Divider Module X Large

135,136 — **Blade Lighting**
 137,138 — Blade Lighting Small
 139 — Blade Lighting Medium
 140 — Blade Lighting Large

141,142 — **Sound Clouds**
 143,144 — Rotund Small
 145,146 — Rotund Medium
 147,148 — Rotund Large
 149,150 — Rotund X Large
 151,152 — Coleo Large

153,154 — **Sound Clouds Lighting**
 155,156 — Rotund Wall Small
 157 — Rotund Wall Medium
 158 — Rotund Wall Large
 159 — **Rotund Eye**
 160 — Rotund Eye Single Small
 161 — Rotund Eye Single Medium
 162 — Rotund Eye Triple Medium

163 — **Rotund Disc**
 164 — Rotund Disc Small
 165 — Rotund Disc Medium
 166 — Rotund Disc Medium
 167 — **Rotund Ring**
 168 — Rotund Ring Large
 169 — **Rotund Ring Dark**
 170 — Rotund Ring Dark Large
 171,172 — **Sound Clouds**
 173,174 — Oblong X Small
 175,176 — Oblong Small
 177,178 — Oblong Medium
 179,180 — Oblong Large

181,182 — Frame Small
 183,184 — Frame Medium
 185,186 — Frame Large
 187,188 — **Sound Clouds Lighting**
 189,190 — Oblong Small Single
 191,192 — Oblong Small Single Dark
 193,194 — Frame Large Double
 195,196 — Frame Large Double Dark
 197,198 — **Noem**
 199,200 — Noem Ø 400 Small
 201 — Noem Ø 600 Medium
 202 — Noem Ø 800 Large

203 — **Noem Linear**
 204 — Noem Linear Small
 205 — Noem Linear Medium
 206 — Noem Linear Large
 207,208 — **Rodeo**
 209,210 — Rodeo Medium Ø 1100
 211,212 — Rodeo Large Ø 1400
 213,214 — **Furry**
 215,216 — Furry Ø 500
 217,218 — **Roda**
 219,220 — Roda L 120
 221,222 — **Dividers on Legs & Casters**
 223,224 — Dividers on Legs & Casters
 225,226 — Rotund L - Divider
 227,228 — Coleo L - Divider

229,230 — Frame L - Divider
 231,232 — Oblong L - Divider
 233,234 — **Bold L - Divider**
 235,236 — Bold L - Divider
 237,238 — Bold L - Divider
 239,240 — **Colors & Textures**
 241,242 — The Art of Acoustic Cust.
 243 — **Color-IT** Felt Palette
 244 — **Inherent** Felt Palette
 245 — **Solid Core** Felt Palette
 246 — **Woody Felt** Palette
 247 — Behind the Sound
 248 — Certificate of Warranty
 249 — Care & Cleaning
 250 — Contacts



ACOUSTERA
Plaid, Ridge & Bold



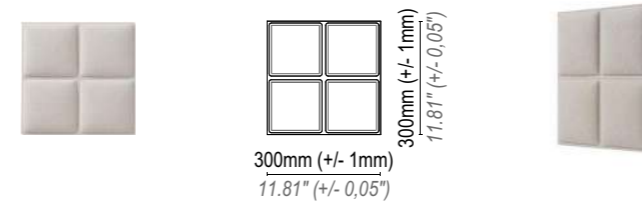
Holistic Aesthetic Appeal

The simple yet cohesive geometry of the Plaid, Ridge, and Bold models allows for versatile use as focal points or backdrops in architectural solutions.

This coordinated grouping enhances holistic aesthetic appeal, optimizing both visual and user experiences to create sound absorbing and visually appealing spaces.



300mm x 300mm x 15mm



Product Code / Description	Box Qty / m ²	Felt Color Palettes	Mounting Option
PLD-20AAN - Inherent (Panel Only)	48 / 4.32 m ²		
PLD-20PSN - Inherent + Peel & Stick	48 / 4.32 m ²		
PLD-20AAC - Color-IT (Panel Only)	48 / 4.32 m ²		
PLD-20PSC - Color-IT + Peel & Stick	48 / 4.32 m ²		

APPLICATION

Wall & Ceiling - Indoor use only

MATERIAL

Mechanical needled punch industrial felt.
100% PET up to 60% Recycled content & Recyclable



Smooth Surface - Impact Resistance - Flexible

FIRE RATING

A Class (ASTM E84) - B s1 d0 (EN 13501-1)

THERMAL INSULATION

0,035 W/mK

WEIGHT

1 tile: 180 gr. +/- 10% tolerance

1 tile: 0.40 lbs with +/- 10% tolerance

THICKNESS

Max. 15 mm (+/- 2 mm) - 0.60" (+/-0.08")

Min. 3 mm (+/- 2 mm) - 0.12" (+/-0.08")

BOX SIZE & CONTENT

W: 620 mm D: 660 mm H: 190 mm

W: 24.5" D: 26" H: 7.5"

1 Box: 48 x panels

1 Box: 4.32 m²

1 Box: 46.50 ft²

1 Color of choice per package

Gross weight: 10 kg

Gross weight: 22 lbs

PALETTE SIZE & CONTENT

W: 1220 mm D: 1015 mm H: 2150 mm

W: 48" D: 40" H: 84.5"

30 Pcs. Box

Gross Weight

320 kg

705 lbs

W: 1200 mm D: 800 mm H: 2150 mm

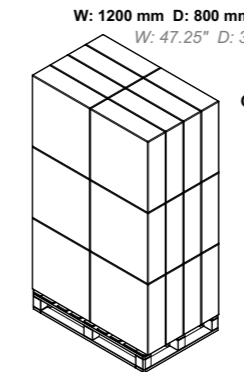
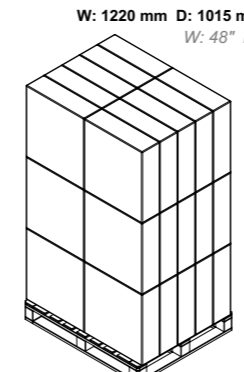
W: 47.25" D: 31.5" H: 84.5"

24 Pcs. Box

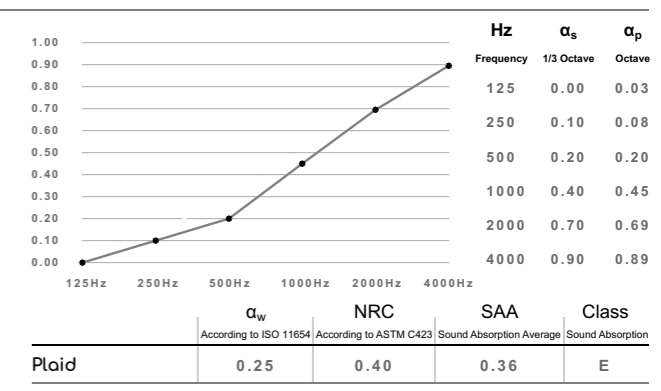
Gross Weight

255 kg

562 lbs



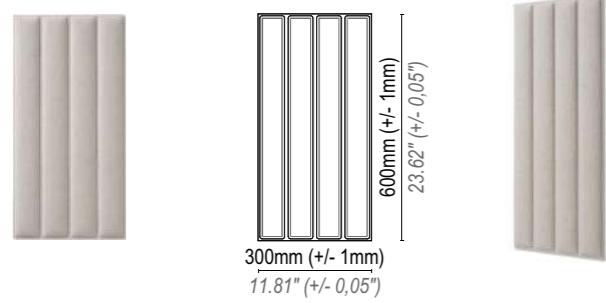
ACOUSTIC PERFORMANCE



Ridge Sound-Absorbing Ceiling & Wall Panel



300mm x 600mm x 15mm



Product Code / Description	Box Qty / m ²	Felt Color Palettes	Mounting Option
RDG-20AAN - Inherent (Panel Only)	24 / 4.32 m ²		
RDG-20PSN - Inherent + Peel & Stick	24 / 4.32 m ²		
RDG-20AAC - Color-IT (Panel Only)	24 / 4.32 m ²		
RDG-20PSC - Color-IT + Peel & Stick	24 / 4.32 m ²		

APPLICATION
Wall & Ceiling - Indoor use only

MATERIAL
Mechanical needled punch industrial felt.
100% PET up to 60% Recycled content & Recyclable

Smooth Surface - Impact Resistance - Flexible

FIRE RATING
A Class (ASTM E84) - B s1 d0 (EN 13501-1)

THERMAL INSULATION
0,035 W/mK

WEIGHT
1 tile: 360 gr. +/- 10% tolerance
1 tile: 0.80 lbs with +/- 10% tolerance

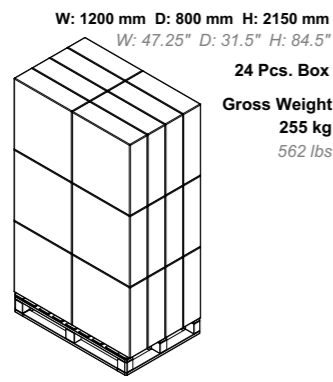
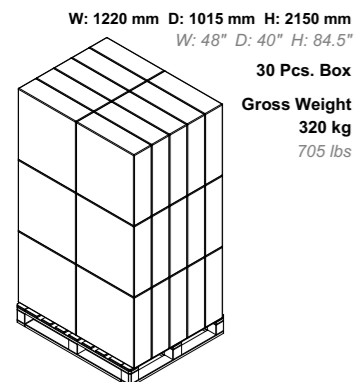
THICKNESS
Max. 15 mm (+/- 2 mm) - 0.60" (+/-0.08")
Min. 3 mm (+/- 2 mm) - 0.12" (+/-0.08")

BOX SIZE & CONTENT
W: 620 mm D: 660 mm H: 190 mm
W: 24.5" D: 26" H: 7.5"

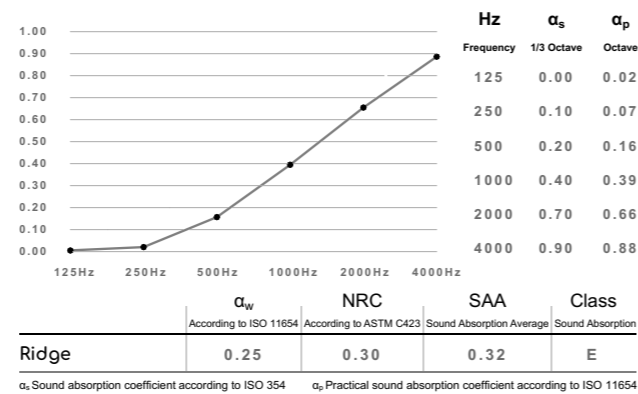
1 Box: 24 x panels
1 Box: 4.32 m²
1 Box: 46.50 ft²
1 Color of choice per package
Gross weight: 10 kg
Gross weight: 22 lbs



PALETTE SIZE & CONTENT



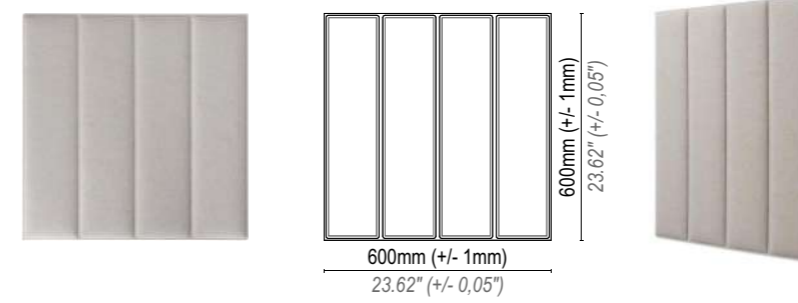
ACOUSTIC PERFORMANCE



Bold Sound-Absorbing Ceiling & Wall Panel



600mm x 600mm x 15mm



Product Code / Description	Box Qty / m ²	Felt Color Palettes	Mounting Option
BLD-20AAN - Inherent (Panel Only)	12 / 4.32 m ²		
BLD-20PSN - Inherent + Peel & Stick	12 / 4.32 m ²		
BLD-20AAC - Color-IT (Panel Only)	12 / 4.32 m ²		
BLD-20PSC - Color-IT + Peel & Stick	12 / 4.32 m ²		

APPLICATION
Wall & Ceiling - Indoor use only

MATERIAL
Mechanical needled punch industrial felt.
100% PET up to 60% Recycled content & Recyclable

Smooth Surface - Impact Resistance - Flexible

FIRE RATING
A Class (ASTM E84) - B s1 d0 (EN 13501-1)

THERMAL INSULATION
0,035 W/mK

WEIGHT
1 tile: 720 gr. +/- 10% tolerance
1 tile: 1.6 lb with +/- 10% tolerance

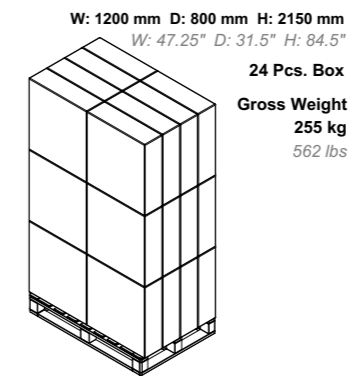
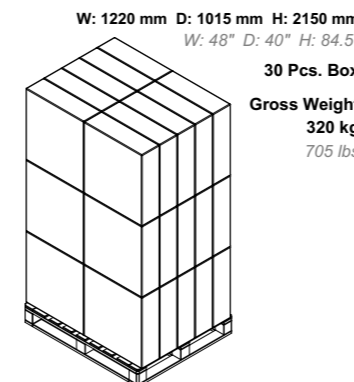
THICKNESS
Max. 15 mm (+/- 2 mm) - 0.60" (+/-0.08")
Min. 3 mm (+/- 2 mm) - 0.12" (+/-0.08")

BOX SIZE & CONTENT
W: 620 mm D: 660 mm H: 190 mm
W: 24.5" D: 26" H: 7.5"

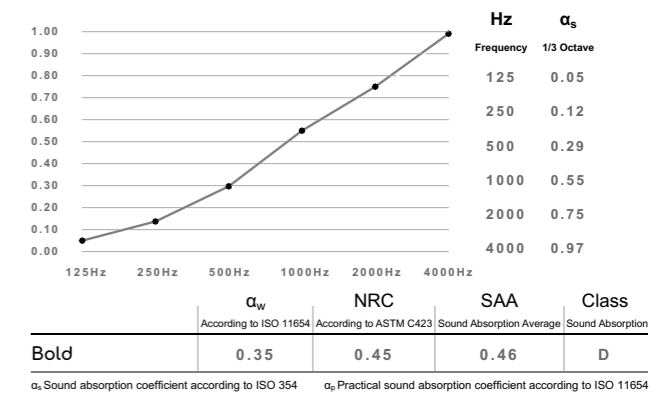
1 Box: 12 x panels
1 Box: 4.32 m²
1 Box: 46.50 ft²
1 Color of choice per package
Gross weight: 10 kg
Gross weight: 22 lbs



PALETTE SIZE & CONTENT



ACOUSTIC PERFORMANCE





ACOUSTERA

Moon, Saturn & Venus



Acoustic Forms
Sustainability Design
The Meof Sound
Materials In Spaces
Sustainable Design

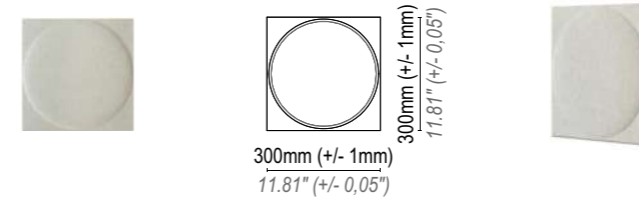


Celestial Harmonious Design

Inspired by the cosmos, our circular acoustic collection—featuring the Moon, Saturn, and Venus model brings perfect balance to modern spaces. Drawing from planetary geometries, these design-forward panels work together to optimize sound absorption while elevating the visual landscape. The result is an immersive, harmonious environment that looks as beautifully as it sounds.



300mm x 300mm x 15mm



Product Code / Description	Box Qty / m ²	Felt Color Palettes	Mounting Option
MON-20AAN - Inherent (Panel Only)	48 / 4.32 m ²		
MON-20PSN - Inherent + Peel & Stick	48 / 4.32 m ²		
MON-20AAC - Color-IT (Panel Only)	48 / 4.32 m ²		
MON-20PSC - Color-IT + Peel & Stick	48 / 4.32 m ²		

APPLICATION

Wall & Ceiling - Indoor use only

MATERIAL

Mechanical needled punch industrial felt.
100% PET up to 60% Recycled content & Recyclable



Smooth Surface - Impact Resistance - Flexible

FIRE RATING

A Class (ASTM E84) - B s1 d0 (EN 13501-1)

THERMAL INSULATION

0,035 W/mK

WEIGHT

1 tile: 180 gr. +/- 10% tolerance

1 tile: 0.40 lbs with +/- 10% tolerance

THICKNESS

Max. 15 mm (+/- 2 mm) - 0.60" (+/-0.08")

Min. 3 mm (+/- 2 mm) - 0.12" (+/-0.08")

BOX SIZE & CONTENT

W: 620 mm D: 660 mm H: 190 mm

W: 24.5" D: 26" H: 7.5"

1 Box: 48 x panels

1 Box: 4.32 m²

1 Box: 46.50 ft²

1 Color of choice per package

Gross weight: 10 kg

Gross weight: 22 lbs



PALETTE SIZE & CONTENT

W: 1220 mm D: 1015 mm H: 2150 mm
W: 48" D: 40" H: 84.5"

30 Pcs. Box

Gross Weight 320 kg

705 lbs

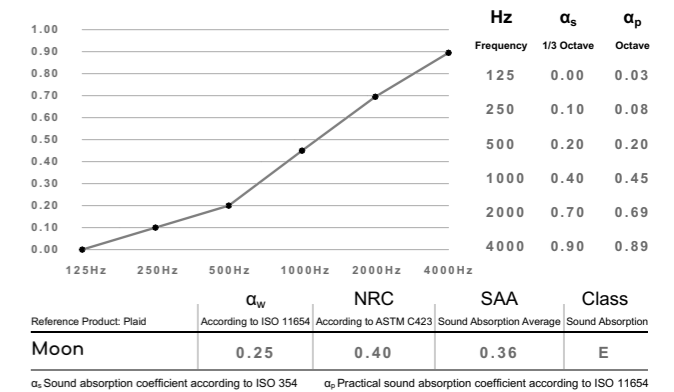
W: 1200 mm D: 800 mm H: 2150 mm
W: 47.25" D: 31.5" H: 84.5"

24 Pcs. Box

Gross Weight 255 kg

562 lbs

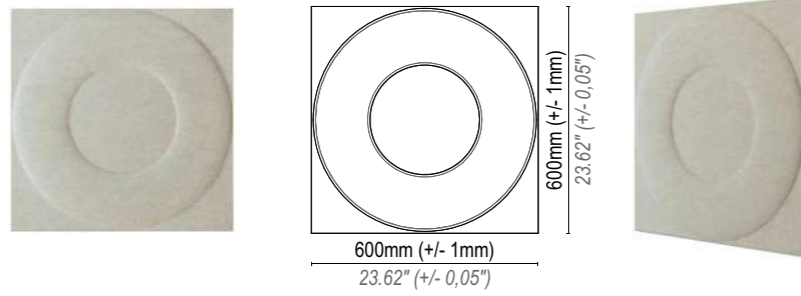
ACOUSTIC PERFORMANCE



Saturn Sound-Absorbing Ceiling & Wall Panel



600mm x 600mm x 15mm



Product Code / Description	Box Qty / m ²	Felt Color Palettes	Mounting Option
STN-20AAN - Inherent (Panel Only)	12 / 4.32 m ²		
STN-20PSN - Inherent + Peel & Stick	12 / 4.32 m ²		
STN-20AAC - Color-IT (Panel Only)	12 / 4.32 m ²		
STN-20PSC - Color-IT + Peel & Stick	12 / 4.32 m ²		

APPLICATION
Wall & Ceiling - Indoor use only

MATERIAL
Mechanical needled punch industrial felt.
100% PET up to 60% Recycled content & Recyclable

Smooth Surface - Impact Resistance - Flexible

FIRE RATING
A Class (ASTM E84) - B s1 d0 (EN 13501-1)

THERMAL INSULATION
0,035 W/mK

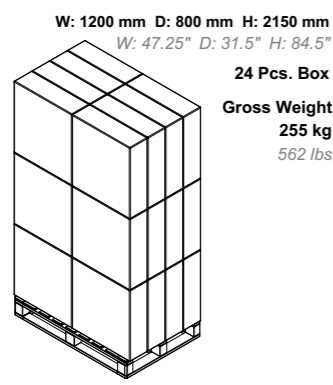
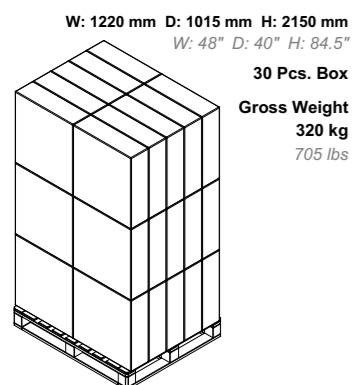
WEIGHT
1 tile: 720 gr. +/- 10% tolerance
1 tile: 1.6 lb with +/- 10% tolerance

THICKNESS
 Max. 15 mm (+/- 2 mm) - 0.60" (+/- 0.08")
Min. 3 mm (+/- 2 mm) - 0.12" (+/- 0.08")

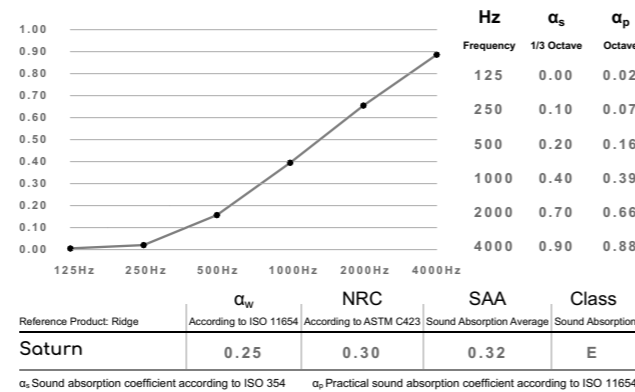
BOX SIZE & CONTENT
W: 620 mm D: 660 mm H: 190 mm
W: 24.5" D: 26" H: 7.5"
1 Box: 12 x panels
1 Box: 4.32 m²
1 Box: 46.50 ft²
1 Color of choice per package
Gross weight: 10 kg
Gross weight: 22 lbs



PALETTE SIZE & CONTENT



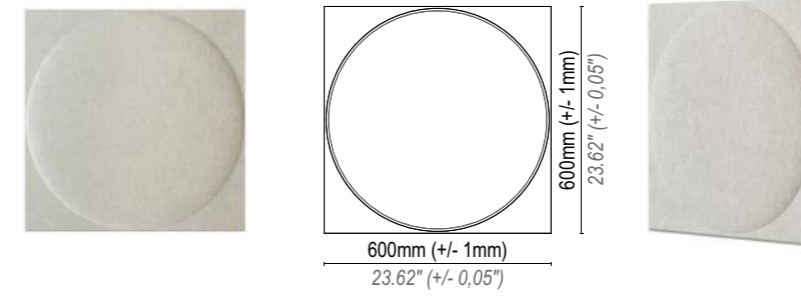
ACOUSTIC PERFORMANCE



Venus Sound-Absorbing Ceiling & Wall Panel



600mm x 600mm x 15mm



Product Code / Description	Box Qty / m ²	Felt Color Palettes	Mounting Option
VNS-20AAN - Inherent (Panel Only)	12 / 4.32 m ²		
VNS-20PSN - Inherent + Peel & Stick	12 / 4.32 m ²		
VNS-20AAC - Color-IT (Panel Only)	12 / 4.32 m ²		
VNS-20PSC - Color-IT + Peel & Stick	12 / 4.32 m ²		

APPLICATION
Wall & Ceiling - Indoor use only

MATERIAL
Mechanical needled punch industrial felt.
100% PET up to 60% Recycled content & Recyclable

Smooth Surface - Impact Resistance - Flexible

FIRE RATING
A Class (ASTM E84) - B s1 d0 (EN 13501-1)

THERMAL INSULATION
0,035 W/mK

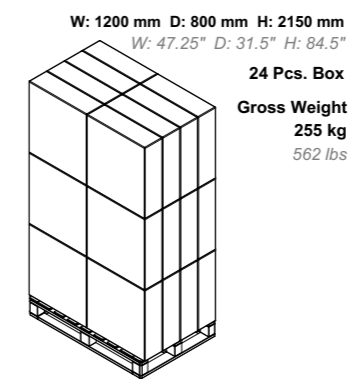
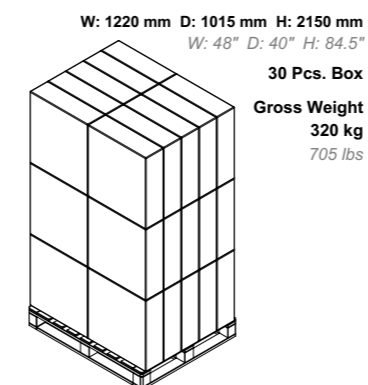
WEIGHT
1 tile: 720 gr. +/- 10% tolerance
1 tile: 1.6 lb with +/- 10% tolerance

THICKNESS
 Max. 15 mm (+/- 2 mm) - 0.60" (+/- 0.08")
Min. 3 mm (+/- 2 mm) - 0.12" (+/- 0.08")

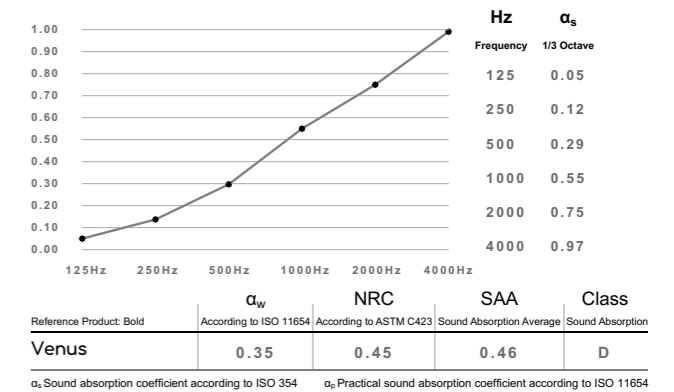
BOX SIZE & CONTENT
W: 620 mm D: 660 mm H: 190 mm
W: 24.5" D: 26" H: 7.5"
1 Box: 12 x panels
1 Box: 4.32 m²
1 Box: 46.50 ft²
1 Color of choice per package
Gross weight: 10 kg
Gross weight: 22 lbs



PALETTE SIZE & CONTENT



ACOUSTIC PERFORMANCE





ACOUSTERA
Zig & Zag

Harmony and continuity, creating intertwining waves that blend seamlessly with other products in our series.

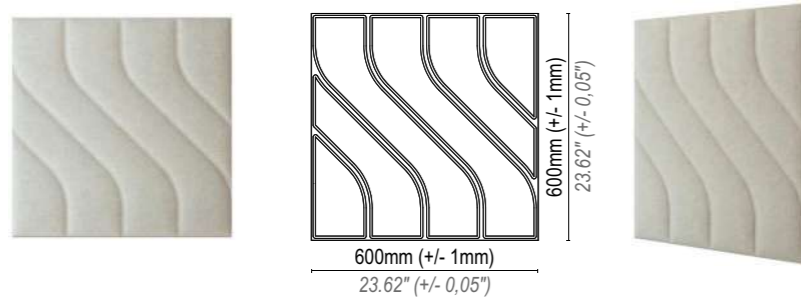
This integration allows for the recreation of silent spaces, offering endless customizable options to suit your preferences.



Zig Sound-Absorbing Ceiling & Wall Panel



600mm x 600mm x 15mm



Product Code / Description	Box Qty / m ²	Felt Color Palettes	Mounting Option
ZIG-20AAN - Inherent (Panel Only)	12 / 4.32 m ²		
ZIG-20PSN - Inherent + Peel & Stick	12 / 4.32 m ²		
ZIG-20AAC - Color-IT (Panel Only)	12 / 4.32 m ²		
ZIG-20PSC - Color-IT + Peel & Stick	12 / 4.32 m ²		

APPLICATION
Wall & Ceiling - Indoor use only

MATERIAL
Mechanical needled punch industrial felt.
100% PET up to 60% Recycled content & Recyclable

Smooth Surface - Impact Resistance - Flexible

FIRE RATING
A Class (ASTM E84) - B s1 d0 (EN 13501-1)

THERMAL INSULATION
0,035 W/mK

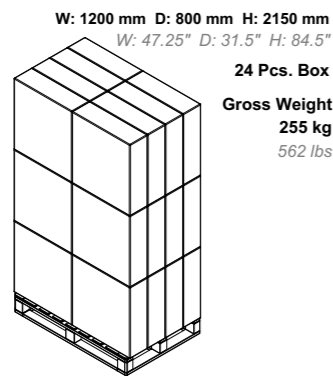
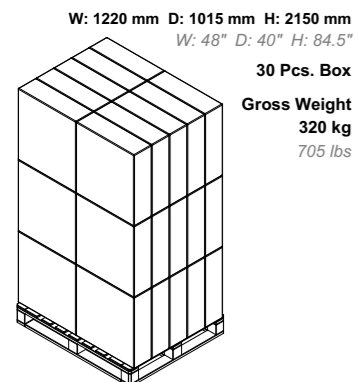
WEIGHT
1 tile: 720 gr. +/- 10% tolerance
1 tile: 1.6 lb with +/- 10% tolerance

THICKNESS
 Max. 15 mm (+/- 2 mm) - 0.60" (+/- 0.08")
Min. 3 mm (+/- 2 mm) - 0.12" (+/- 0.08")

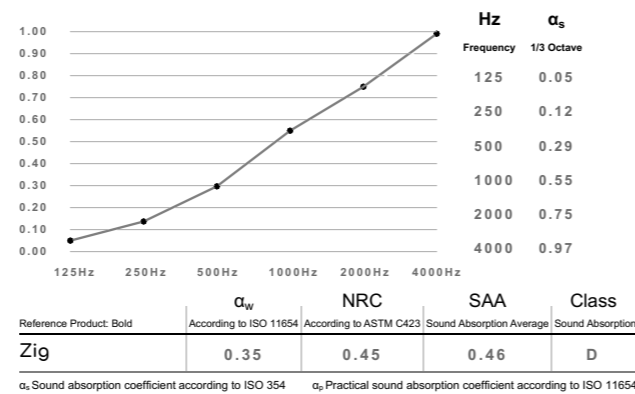
BOX SIZE & CONTENT
W: 620 mm D: 660 mm H: 190 mm
W: 24.5" D: 26" H: 7.5"

1 Box: 12 x panels
1 Box: 4.32 m²
1 Box: 46.50 ft²
1 Color of choice per package
Gross weight: 10 kg
Gross weight: 22 lbs

PALETTE SIZE & CONTENT



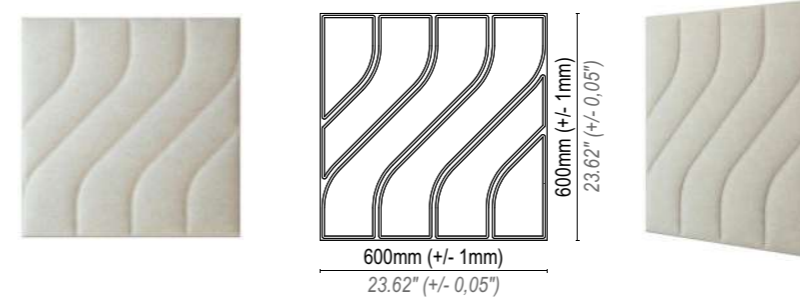
ACOUSTIC PERFORMANCE



Zag Sound-Absorbing Ceiling & Wall Panel



600mm x 600mm x 15mm



Product Code / Description	Box Qty / m ²	Felt Color Palettes	Mounting Option
ZAG-20AAN - Inherent (Panel Only)	12 / 4.32 m ²		
ZAG-20PSN - Inherent + Peel & Stick	12 / 4.32 m ²		
ZAG-20AAC - Color-IT (Panel Only)	12 / 4.32 m ²		
ZAG-20PSC - Color-IT + Peel & Stick	12 / 4.32 m ²		

APPLICATION
Wall & Ceiling - Indoor use only

MATERIAL
Mechanical needled punch industrial felt.
100% PET up to 60% Recycled content & Recyclable

Smooth Surface - Impact Resistance - Flexible

FIRE RATING
A Class (ASTM E84) - B s1 d0 (EN 13501-1)

THERMAL INSULATION
0,035 W/mK

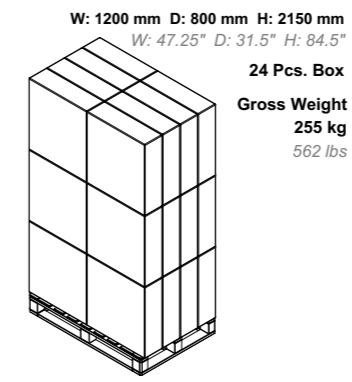
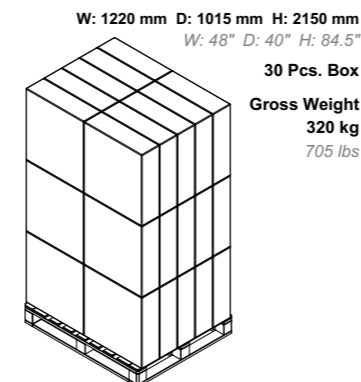
WEIGHT
1 tile: 720 gr. +/- 10% tolerance
1 tile: 1.6 lb with +/- 10% tolerance

THICKNESS
 Max. 15 mm (+/- 2 mm) - 0.60" (+/- 0.08")
Min. 3 mm (+/- 2 mm) - 0.12" (+/- 0.08")

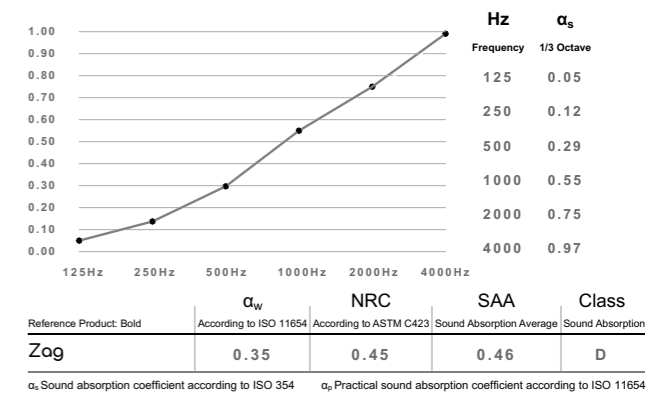
BOX SIZE & CONTENT
W: 620 mm D: 660 mm H: 190 mm
W: 24.5" D: 26" H: 7.5"

1 Box: 12 x panels
1 Box: 4.32 m²
1 Box: 46.50 ft²
1 Color of choice per package
Gross weight: 10 kg
Gross weight: 22 lbs

PALETTE SIZE & CONTENT



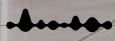
ACOUSTIC PERFORMANCE





ACOUSTERA

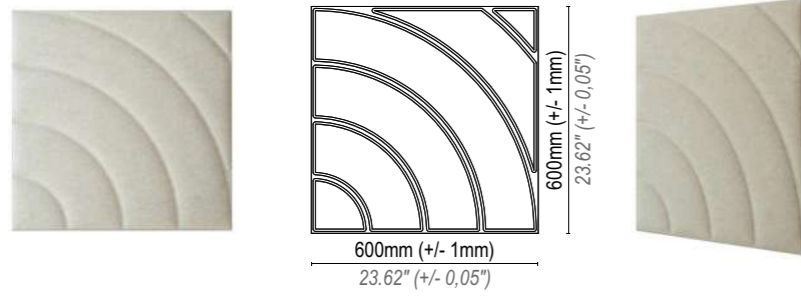
Corner & Central



Corner Sound-Absorbing Ceiling & Wall Panel



600mm x 600mm x 15mm



Product Code / Description	Box Qty / m ²	Felt Color Palettes	Mounting Option
CRN-20AAN - Inherent (Panel Only)	12 / 4.32 m ²		
CRN-20PSN - Inherent + Peel & Stick	12 / 4.32 m ²		
CRN-20AAC - Color-IT (Panel Only)	12 / 4.32 m ²		
CRN-20PSC - Color-IT + Peel & Stick	12 / 4.32 m ²		

APPLICATION
Wall & Ceiling - Indoor use only

MATERIAL
Mechanical needled punch industrial felt.
100% PET up to 60% Recycled content & Recyclable

Smooth Surface - Impact Resistance - Flexible

FIRE RATING
A Class (ASTM E84) - B s1 d0 (EN 13501-1)

THERMAL INSULATION
0,035 W/mK

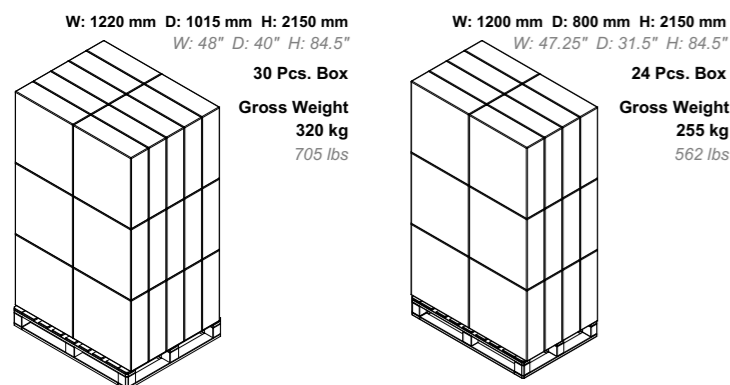
WEIGHT
1 tile: 720 gr. +/- 10% tolerance
1 tile: 1.6 lb with +/- 10% tolerance

THICKNESS
 Max. 15 mm (+/- 2 mm) - 0.60" (+/- 0.08")
Min. 3 mm (+/- 2 mm) - 0.12" (+/- 0.08")

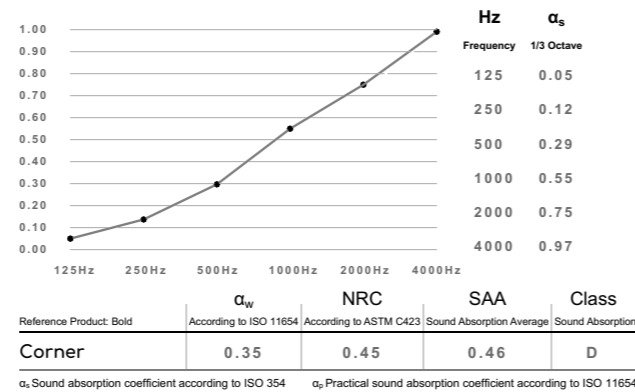
BOX SIZE & CONTENT
W: 620 mm D: 660 mm H: 190 mm
W: 24.5" D: 26" H: 7.5"
1 Box: 12 x panels
1 Box: 4.32 m²
1 Box: 46.50 ft²
1 Color of choice per package
Gross weight: 10 kg
Gross weight: 22 lbs



PALETTE SIZE & CONTENT



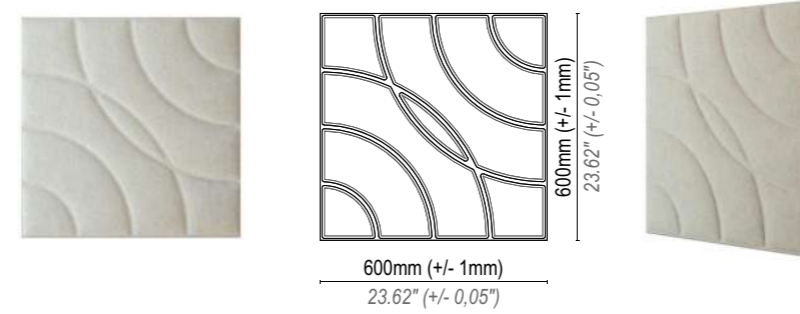
ACOUSTIC PERFORMANCE



Central Sound-Absorbing Ceiling & Wall Panel



600mm x 600mm x 15mm



Product Code / Description	Box Qty / m ²	Felt Color Palettes	Mounting Option
CNL-20AAN - Inherent (Panel Only)	12 / 4.32 m ²		
CNL-20PSN - Inherent + Peel & Stick	12 / 4.32 m ²		
CNL-20AAC - Color-IT (Panel Only)	12 / 4.32 m ²		
CNL-20PSC - Color-IT + Peel & Stick	12 / 4.32 m ²		

APPLICATION
Wall & Ceiling - Indoor use only

MATERIAL
Mechanical needled punch industrial felt.
100% PET up to 60% Recycled content & Recyclable

Smooth Surface - Impact Resistance - Flexible

FIRE RATING
A Class (ASTM E84) - B s1 d0 (EN 13501-1)

THERMAL INSULATION
0,035 W/mK

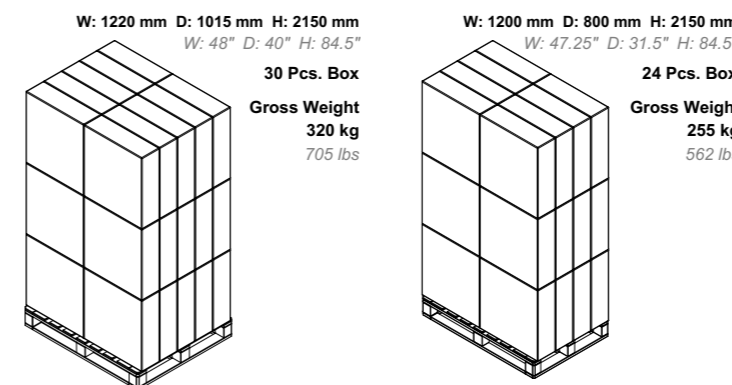
WEIGHT
1 tile: 720 gr. +/- 10% tolerance
1 tile: 1.6 lb with +/- 10% tolerance

THICKNESS
 Max. 15 mm (+/- 2 mm) - 0.60" (+/- 0.08")
Min. 3 mm (+/- 2 mm) - 0.12" (+/- 0.08")

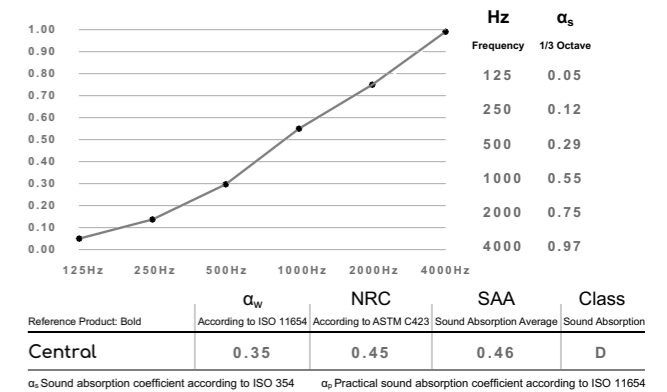
BOX SIZE & CONTENT
W: 620 mm D: 660 mm H: 190 mm
W: 24.5" D: 26" H: 7.5"
1 Box: 12 x panels
1 Box: 4.32 m²
1 Box: 46.50 ft²
1 Color of choice per package
Gross weight: 10 kg
Gross weight: 22 lbs



PALETTE SIZE & CONTENT



ACOUSTIC PERFORMANCE





ACOUSTERA

Cross



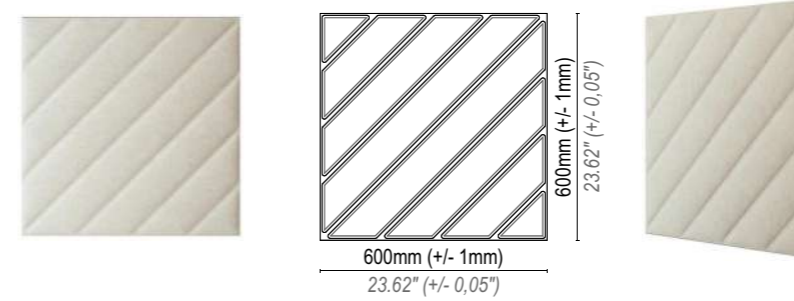
Dynamism and Simplicity

'Cross' features a versatile diagonal line pattern that enables creative installations through simple 90-degree rotations, allowing you to refresh aesthetics without additional patterns.

This functionality not only enhances visual appeal but also offers limitless customization while ensuring consistent acoustic performance.

Cross Sound-Absorbing Ceiling & Wall Panel

600mm x 600mm x 15mm



Product Code / Description	Box Qty / m ²	Felt Color Palettes	Mounting Option
CRS-20AAN - Inherent (Panel Only)	12 / 4.32 m ²		
CRS-20PSN - Inherent + Peel & Stick	12 / 4.32 m ²		
CRS-20AAC - Color-IT (Panel Only)	12 / 4.32 m ²		
CRS-20PSC - Color-IT + Peel & Stick	12 / 4.32 m ²		

APPLICATION

Wall & Ceiling - Indoor use only

MATERIAL

Mechanical needled punch industrial felt.
100% PET up to 60% Recycled content & Recyclable



Smooth Surface - Impact Resistance - Flexible

FIRE RATING

A Class (ASTM E84) - B s1 d0 (EN 13501-1)

THERMAL INSULATION

0,035 W/mK

WEIGHT

1 tile: 720 gr. +/- 10% tolerance

1 tile: 1.6 lb with +/- 10% tolerance

THICKNESS

Max. 15 mm (+/- 2 mm) - 0.60" (+/-0.08")

Min. 3 mm (+/- 2 mm) - 0.12" (+/-0.08")

BOX SIZE & CONTENT

W: 620 mm D: 660 mm H: 190 mm

W: 24.5" D: 26" H: 7.5"

1 Box: 12 x panels

1 Box: 4.32 m²

1 Box: 46.50 ft²

1 Color of choice per package

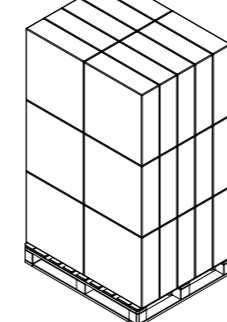
Gross weight: 10 kg

Gross weight: 22 lbs

PALETTE SIZE & CONTENT

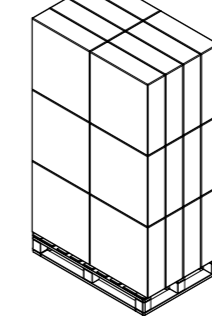
W: 1220 mm D: 1015 mm H: 2150 mm
W: 48" D: 40" H: 84.5"

30 Pcs. Box
Gross Weight
320 kg
705 lbs

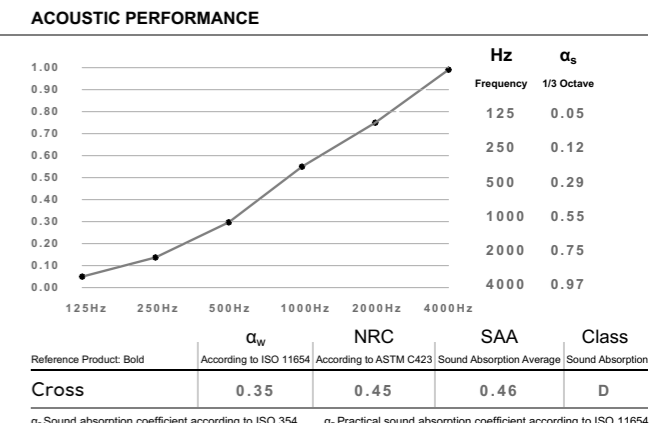


W: 1200 mm D: 800 mm H: 2150 mm
W: 47.25" D: 31.5" H: 84.5"

24 Pcs. Box
Gross Weight
255 kg
562 lbs



ACOUSTIC PERFORMANCE





ACOUSTERA

Hex-One



Visual Depth & Acoustics

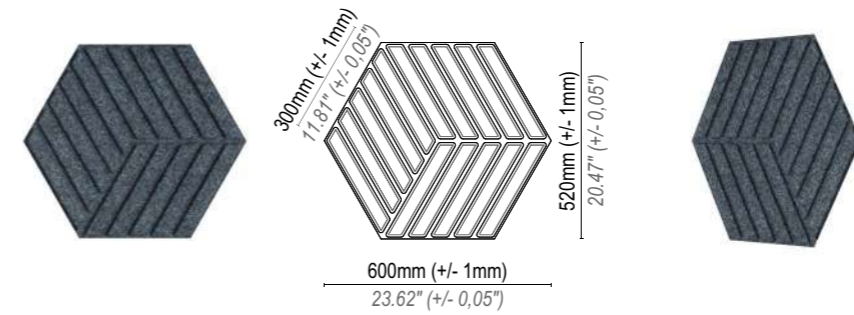
The unique hexagonal designs allow for versatile configurations and tessellation, creating a stunning visual impact while effectively managing sound.

These panels create a striking three-dimensional effect that adds a dynamic and engaging element to both commercial and residential spaces.

Beyond their aesthetic appeal, they effectively manage sound, enhancing acoustic comfort while transforming interiors into visually captivating environments.



520mm x 600mm x 15mm



Product Code / Description	Box Qty / m ²	Felt Color Palettes	Mounting Option
HXO-30AAN - Inherent (Panel Only)	12 / 3.74 m ²		
HXO-30PSN - Inherent + Peel & Stick	12 / 3.74 m ²		
HXO-30AAC - Color-IT (Panel Only)	12 / 3.74 m ²		
HXO-30PSC - Color-IT + Peel & Stick	12 / 3.74 m ²		

APPLICATION

Wall & Ceiling - Indoor use only

MATERIAL

Mechanical needled punch industrial felt.
100% PET up to 60% Recycled content & Recyclable



Smooth Surface - Impact Resistance - Flexible

FIRE RATING

A Class (ASTM E84) - B s1 d0 (EN 13501-1)

THERMAL INSULATION

0,035 W/mK

WEIGHT

1 tile: 630 gr. +/- 10% tolerance

1 tile: 1.40 lbs with +/- 10% tolerance

THICKNESS

Max. 15 mm (+/- 2 mm) - 0.60" (+/- 0.08")

Min. 3 mm (+/- 2 mm) - 0.12" (+/- 0.08")

BOX SIZE & CONTENT

W: 620 mm D: 660 mm H: 190 mm

W: 24.5" D: 26" H: 7.5"

1 Box: 12 x panels

1 Box: 3.744 m²

1 Box: 40.30 ft²

1 Color of choice per package

Gross weight: 9.0 kg

Gross weight: 20 lbs

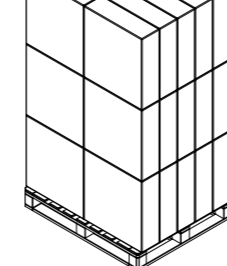


PALETTE SIZE & CONTENT

W: 1220 mm D: 1015 mm H: 2150 mm
W: 48" D: 40" H: 84.5"

30 Pcs. Box

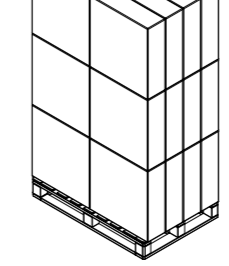
Gross Weight
290 kg
640 lbs



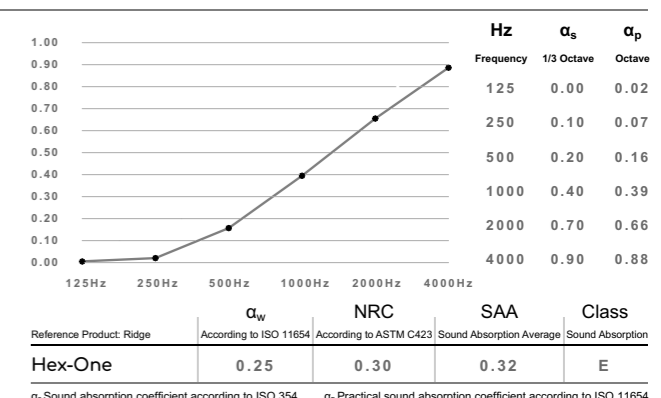
W: 1200 mm D: 800 mm H: 2150 mm
W: 47.25" D: 31.5" H: 84.5"

24 Pcs. Box

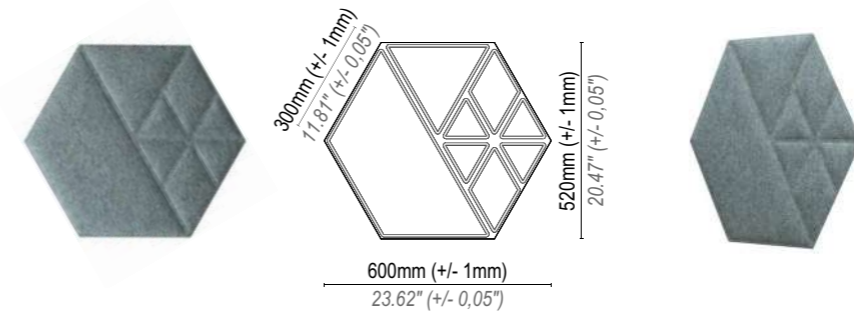
Gross Weight
230 kg
507 lbs



ACOUSTIC PERFORMANCE



520mm x 600mm x 15mm



Product Code / Description	Box Qty / m ²	Felt Color Palettes	Mounting Option
OXF-30AAN - Inherent (Panel Only)	12 / 3.74 m ²		
OXF-30PSN - Inherent + Peel & Stick	12 / 3.74 m ²		
OXF-30AAC - Color-IT (Panel Only)	12 / 3.74 m ²		
OXF-30PSC - Color-IT + Peel & Stick	12 / 3.74 m ²		

APPLICATION

Wall & Ceiling - Indoor use only

MATERIAL

Mechanical needled punch industrial felt.
100% PET up to 60% Recycled content & Recyclable



Smooth Surface - Impact Resistance - Flexible

FIRE RATING

A Class (ASTM E84) - B s1 d0 (EN 13501-1)

THERMAL INSULATION

0,035 W/mK

WEIGHT

1 tile: 630 gr. +/- 10% tolerance

1 tile: 1.40 lbs with +/- 10% tolerance

THICKNESS

Max. 15 mm (+/- 2 mm) - 0.60" (+/-0.08")

Min. 3 mm (+/- 2 mm) - 0.12" (+/-0.08")

BOX SIZE & CONTENT

W: 620 mm D: 660 mm H: 190 mm

W: 24.5" D: 26" H: 7.5"

1 Box: 12 x panels

1 Box: 3.744 m²

1 Box: 40.30 ft²

1 Color of choice per package

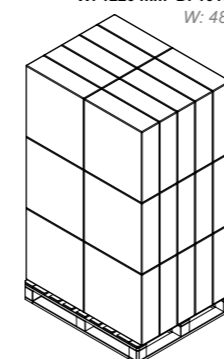
Gross weight: 9.0 kg

Gross weight: 20 lbs

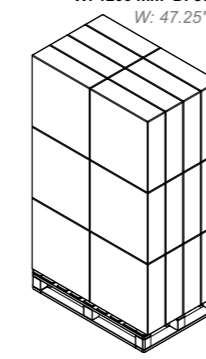


PALETTE SIZE & CONTENT

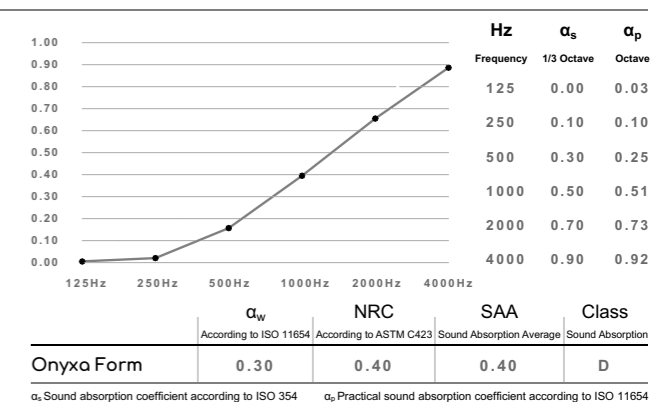
W: 1220 mm D: 1015 mm H: 2150 mm
W: 48" D: 40" H: 84.5"
30 Pcs. Box
Gross Weight 290 kg
640 lbs



W: 1200 mm D: 800 mm H: 2150 mm
W: 47.25" D: 31.5" H: 84.5"
24 Pcs. Box
Gross Weight 230 kg
507 lbs



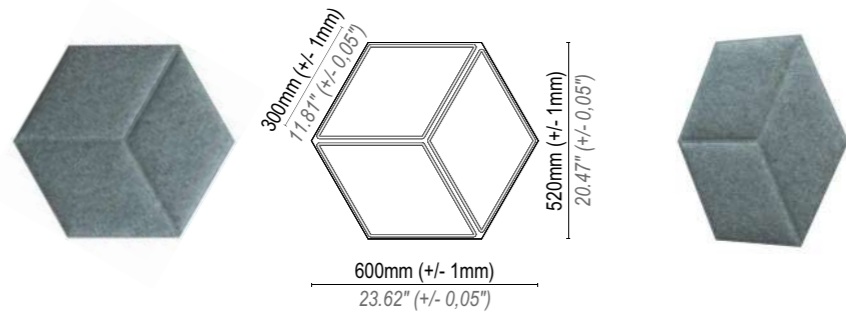
ACOUSTIC PERFORMANCE



Onyx Trio Sound-Absorbing Ceiling & Wall Panel



520mm x 600mm x 15mm



Product Code / Description	Box Qty / m ²	Felt Color Palettes	Mounting Option
OXT-30AAN - Inherent (Panel Only)	12 / 3.74 m ²		 Peel & Stick
OXT-30PSN - Inherent + Peel & Stick	12 / 3.74 m ²		
OXT-30AAC - Color-IT (Panel Only)	12 / 3.74 m ²		
OXT-30PSC - Color-IT + Peel & Stick	12 / 3.74 m ²		

APPLICATION
Wall & Ceiling - Indoor use only

MATERIAL
Mechanical needled punch industrial felt.
100% PET up to 60% Recycled content & Recyclable

Smooth Surface - Impact Resistance - Flexible

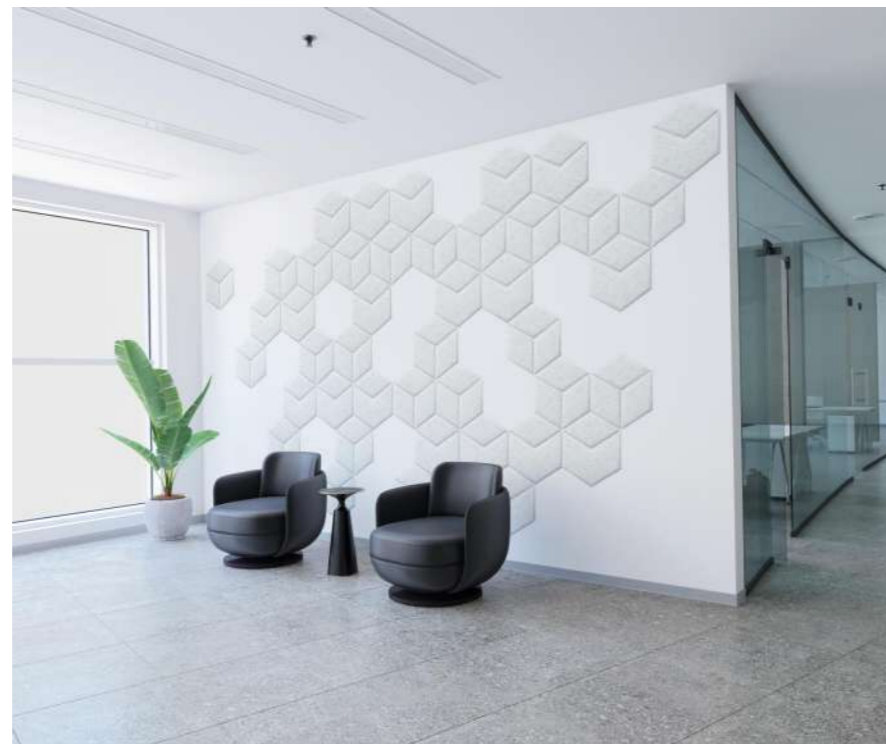
FIRE RATING
A Class (ASTM E84) - B s1 d0 (EN 13501-1)

THERMAL INSULATION
0,035 W/mK

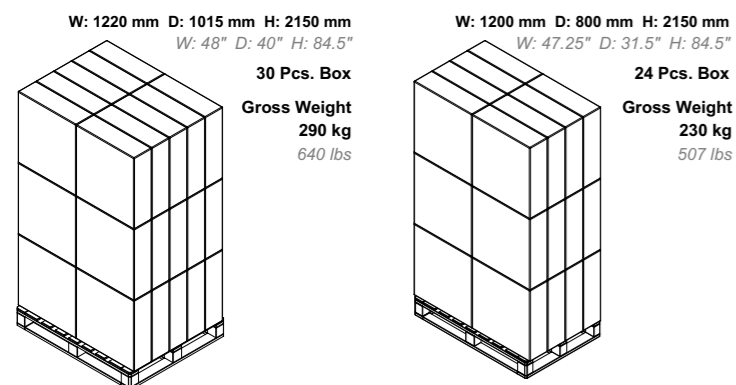
WEIGHT
1 tile: 630 gr. +/- 10% tolerance
1 tile: 1.40 lbs with +/- 10% tolerance

THICKNESS
 Max. 15 mm (+/- 2 mm) - 0.60" (+/- 0.08")
Min. 3 mm (+/- 2 mm) - 0.12" (+/- 0.08")

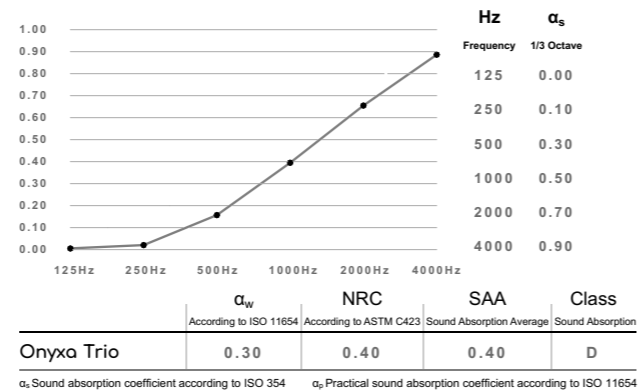
BOX SIZE & CONTENT
W: 620 mm D: 660 mm H: 190 mm
W: 24.5" D: 26" H: 7.5"
1 Box: 12 x panels
1 Box: 3.744 m²
1 Box: 40.30 ft²
1 Color of choice per package
Gross weight: 9.0 kg
Gross weight: 20 lbs



PALETTE SIZE & CONTENT



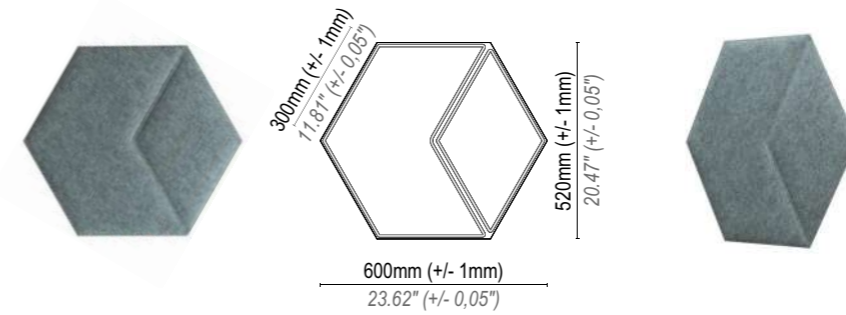
ACOUSTIC PERFORMANCE



Onyx Duo Sound-Absorbing Ceiling & Wall Panel



520mm x 600mm x 15mm



Product Code / Description	Box Qty / m ²	Felt Color Palettes	Mounting Option
OXD-30AAN - Inherent (Panel Only)	12 / 3.74 m ²		 Peel & Stick
OXD-30PSN - Inherent + Peel & Stick	12 / 3.74 m ²		
OXD-30AAC - Color-IT (Panel Only)	12 / 3.74 m ²		
OXD-30PSC - Color-IT + Peel & Stick	12 / 3.74 m ²		

APPLICATION
Wall & Ceiling - Indoor use only

MATERIAL
Mechanical needled punch industrial felt.
100% PET up to 60% Recycled content & Recyclable

Smooth Surface - Impact Resistance - Flexible

FIRE RATING
A Class (ASTM E84) - B s1 d0 (EN 13501-1)

THERMAL INSULATION
0,035 W/mK

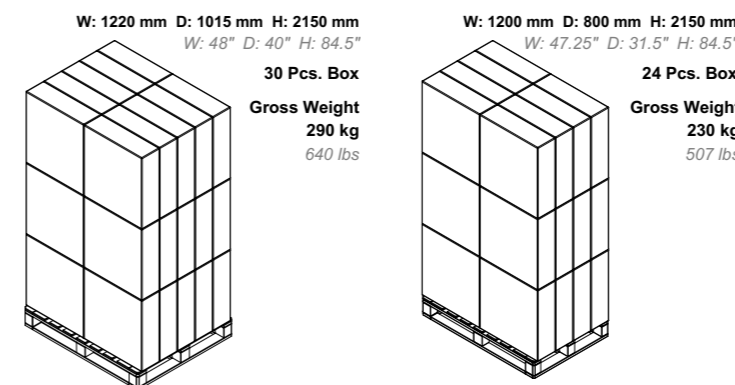
WEIGHT
1 tile: 630 gr. +/- 10% tolerance
1 tile: 1.40 lbs with +/- 10% tolerance

THICKNESS
 Max. 15 mm (+/- 2 mm) - 0.60" (+/- 0.08")
Min. 3 mm (+/- 2 mm) - 0.12" (+/- 0.08")

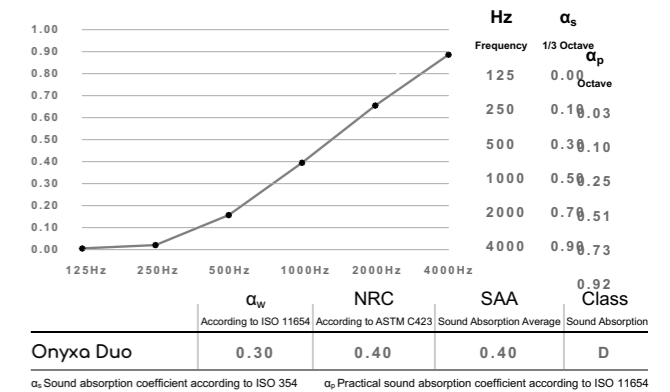
BOX SIZE & CONTENT
W: 620 mm D: 660 mm H: 190 mm
W: 24.5" D: 26" H: 7.5"
1 Box: 12 x panels
1 Box: 3.744 m²
1 Box: 40.30 ft²
1 Color of choice per package
Gross weight: 9.0 kg
Gross weight: 20 lbs



PALETTE SIZE & CONTENT



ACOUSTIC PERFORMANCE





ACOUSTERA

Trigon



Geometry in Motion

The Trigon reimagines sound management as a visual experience. Featuring a distinctive, faceted geometric profile, these acoustic panels break up flat surfaces to absorb sound waves while adding a sophisticated 3D texture to the room.

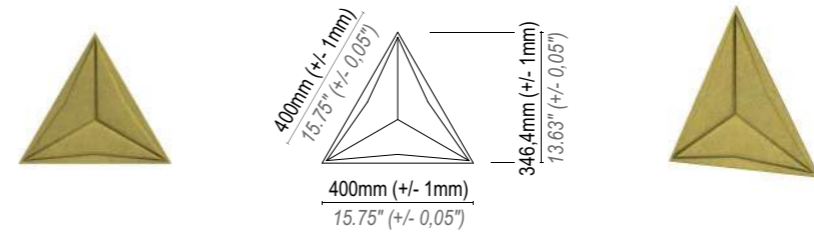
Whether arranged in monolithic blocks or dynamic diagonal clusters, Trigon provides the architectural flexibility to turn a quiet room into a design statement.



Trigon Small

Sound-Absorbing Ceiling & Wall Panel

400mm x 400mm x 400mm x 15mm



Product Code / Description	Box Qty / m ²	Felt Color Palettes	Mounting Option
TRS-40AAN - Inherent (Panel Only)	48 / 3.312 m ²		
TRS-40PSN - Inherent + Peel & Stick	48 / 3.312 m ²		
TRS-40AAC - Color-IT (Panel Only)	48 / 3.312 m ²		
TRS-40PSC - Color-IT + Peel & Stick	48 / 3.312 m ²		

APPLICATION

Wall & Ceiling - Indoor use only

MATERIAL

Mechanical needled punch industrial felt.
100% PET up to 60% Recycled content & Recyclable



Smooth Surface - Impact Resistance - Flexible

FIRE RATING

A Class (ASTM E84) - B s1 d0 (EN 13501-1)

THERMAL INSULATION

0,035 W/mK

WEIGHT

1 tile: 130 gr. +/- 10% tolerance
1 tile: 0.28 lbs with +/- 10% tolerance

THICKNESS

Max. 15 mm (+/- 2 mm) - 0.60" (+/-0.08")
Min. 3 mm (+/- 2 mm) - 0.12" (+/-0.08")

BOX SIZE & CONTENT

W: 620 mm D: 660 mm H: 190 mm
W: 24.5" D: 26" H: 7.5"

1 Box: 48 x panels

1 Box: 3.312 m²

1 Box: 35.65 ft²

1 Color of choice per package

Gross weight: 7.75 kg

Gross weight: 17 lbs



PALETTE SIZE & CONTENT

W: 1220 mm D: 1015 mm H: 2150 mm
W: 48" D: 40" H: 84.5"

30 Pcs. Box

Gross Weight 250 kg

550 lbs

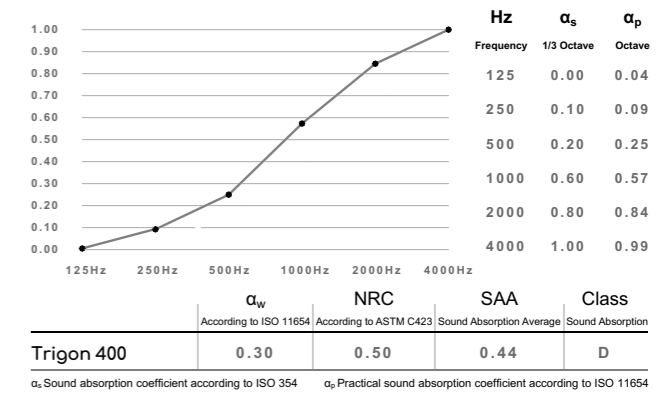
W: 1200 mm D: 800 mm H: 2150 mm
W: 47.25" D: 31.5" H: 84.5"

24 Pcs. Box

Gross Weight 200 kg

440 lbs

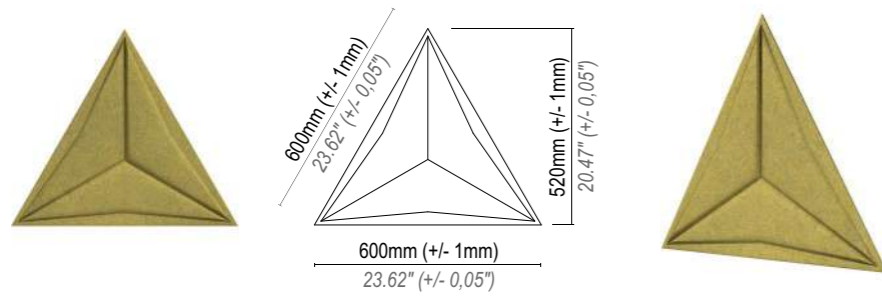
ACOUSTIC PERFORMANCE



Trigon Medium Sound-Absorbing Ceiling & Wall Panel



600mm x 600mm x 600mm x 15mm



Product Code / Description	Box Qty / m ²	Felt Color Palettes	Mounting Option
TRM-60AAN - Inherent (Panel Only)	12 / 1.872 m ²		 Peel & Stick
TRM-60PSN - Inherent + Peel & Stick	12 / 1.872 m ²		
TRM-60AAC - Color-IT (Panel Only)	12 / 1.872 m ²		
TRM-60PSC - Color-IT + Peel & Stick	12 / 1.872 m ²		

APPLICATION
Wall & Ceiling - Indoor use only

MATERIAL
Mechanical needled punch industrial felt.
100% PET up to 60% Recycled content & Recyclable

Smooth Surface - Impact Resistance - Flexible

FIRE RATING
A Class (ASTM E84) - B s1 d0 (EN 13501-1)

THERMAL INSULATION
0,035 W/mK

WEIGHT
1 tile: 300 gr. +/- 10% tolerance
1 tile: 0.66 lbs with +/- 10% tolerance

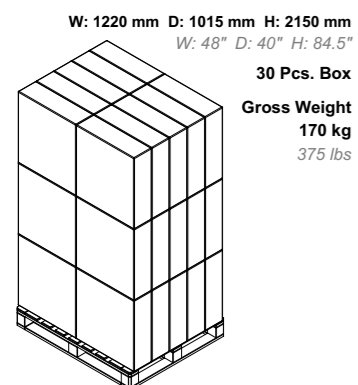
THICKNESS
Max. 15 mm (+/- 2 mm) - 0.60" (+/- 0.08")
Min. 3 mm (+/- 2 mm) - 0.12" (+/- 0.08")

BOX SIZE & CONTENT
W: 620 mm D: 660 mm H: 190 mm
W: 24.5" D: 26" H: 7.5"

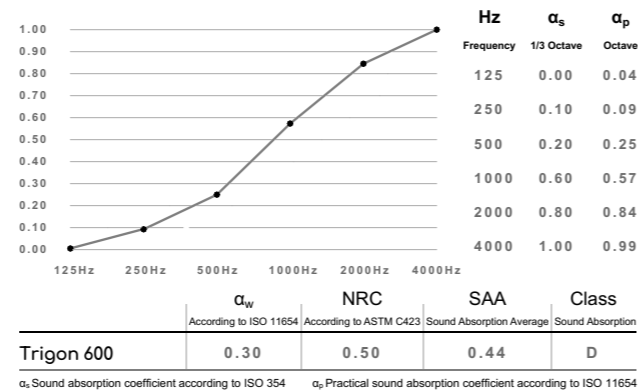
1 Box: 12 x panels
1 Box: 1.872 m²
1 Box: 20.15 ft²
1 Color of choice per package
Gross weight: 5.0 kg
Gross weight: 11 lbs



PALETTE SIZE & CONTENT



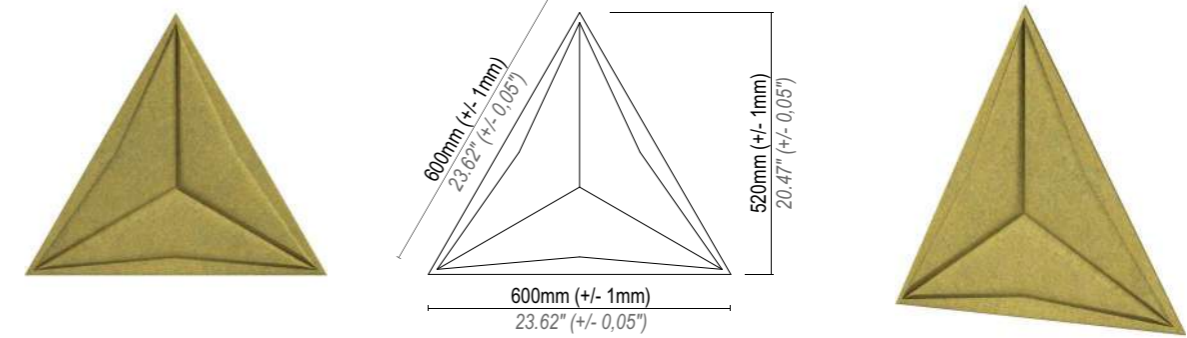
ACOUSTIC PERFORMANCE



Trigon Large Sound-Absorbing Ceiling & Wall Panel



800mm x 800mm x 800mm x 15mm



Product Code / Description	Box Qty / m ²	Felt Color Palettes	Mounting Option
TRL-80AAN - Inherent (Panel Only)	12 / 3.324 m ²		 Peel & Stick
TRL-80PSN - Inherent + Peel & Stick	12 / 3.324 m ²		
TRL-80AAC - Color-IT (Panel Only)	12 / 3.324 m ²		
TRL-80PSC - Color-IT + Peel & Stick	12 / 3.324 m ²		

APPLICATION
Wall & Ceiling - Indoor use only

MATERIAL
Mechanical needled punch industrial felt.
100% PET up to 60% Recycled content & Recyclable

Smooth Surface - Impact Resistance - Flexible

FIRE RATING
A Class (ASTM E84) - B s1 d0 (EN 13501-1)

THERMAL INSULATION
0,035 W/mK

WEIGHT
1 tile: 630 gr. +/- 10% tolerance
1 tile: 1.40 lbs with +/- 10% tolerance

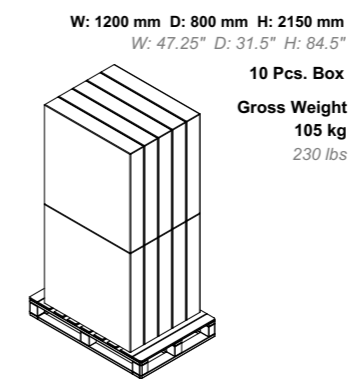
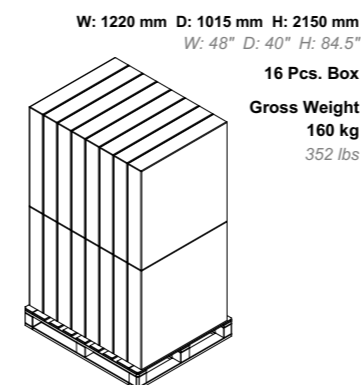
THICKNESS
Max. 15 mm (+/- 2 mm) - 0.60" (+/- 0.08")
Min. 3 mm (+/- 2 mm) - 0.12" (+/- 0.08")

BOX SIZE & CONTENT
W: 620 mm D: 660 mm H: 190 mm
W: 24.5" D: 26" H: 7.5"

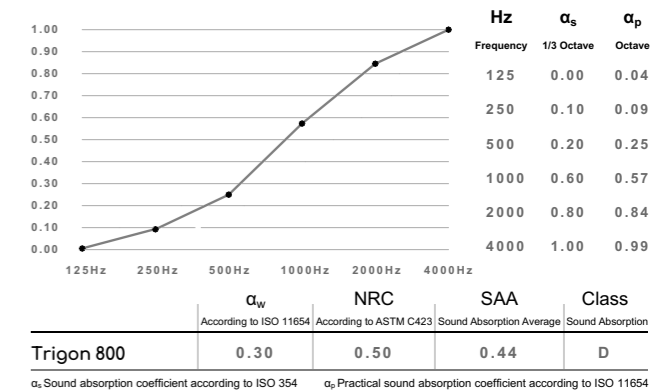
1 Box: 12 x panels
1 Box: 3.324 m²
1 Box: 35.78 ft²
1 Color of choice per package
Gross weight: 9.0 kg
Gross weight: 20 lbs



PALETTE SIZE & CONTENT



ACOUSTIC PERFORMANCE



 ACOUSTERA
Quadron



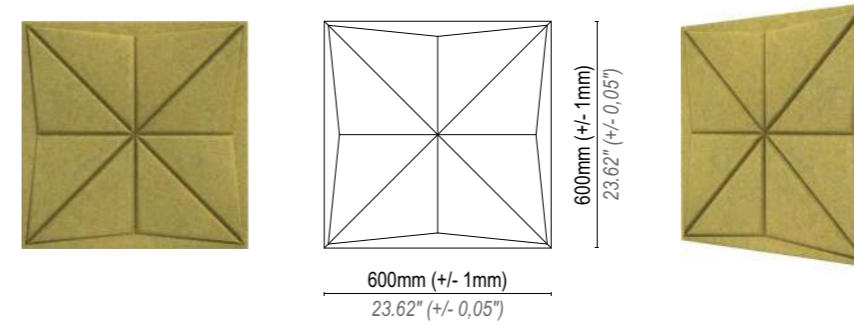
Energy in Order: The Dynamic Square Grid.

Quadron 600 combines architectural beauty with silent interiors. Square panels are easy to install and feature a 3D starburst design that absorbs sound and catches the light. High-performance acoustics for the modern workspace.



Quadron Sound-Absorbing Ceiling & Wall Panel

600mm x 600mm x 15mm



Product Code / Description	Box Qty / m ²	Felt Color Palettes	Mounting Option
QUA-60AAN - Inherent (Panel Only)	12 / 4.32 m ²		
QUA-60PSN - Inherent + Peel & Stick	12 / 4.32 m ²		
QUA-60AAC - Color-IT (Panel Only)	12 / 4.32 m ²		
QUA-60PSC - Color-IT + Peel & Stick	12 / 4.32 m ²		

APPLICATION

Wall & Ceiling - Indoor use only

MATERIAL

Mechanical needled punch industrial felt.
100% PET up to 60% Recycled content & Recyclable



Smooth Surface - Impact Resistance - Flexible

FIRE RATING

A Class (ASTM E84) - B s1 d0 (EN 13501-1)

THERMAL INSULATION

0,035 W/mK

WEIGHT

1 tile: 720 gr. +/- 10% tolerance
1 tile: 1.6 lb with +/- 10% tolerance

THICKNESS

Max. 15 mm (+/- 2 mm) - 0.60" (+/-0.08")
Min. 3 mm (+/- 2 mm) - 0.12" (+/-0.08")

BOX SIZE & CONTENT

W: 620 mm D: 660 mm H: 190 mm
W: 24.5" D: 26" H: 7.5"

1 Box: 12 x panels

1 Box: 4.32 m²

1 Box: 46.50 ft²

1 Color of choice per package

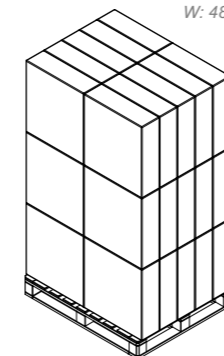
Gross weight: 10 kg

Gross weight: 22 lbs

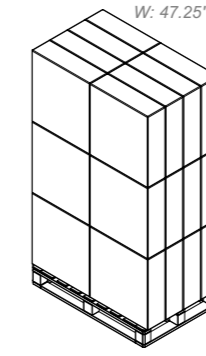


PALETTE SIZE & CONTENT

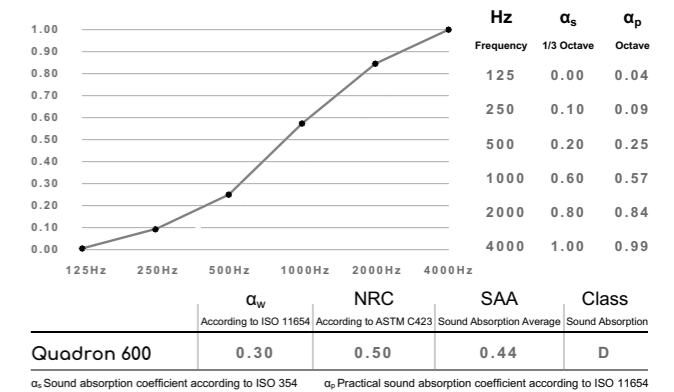
W: 1220 mm D: 1015 mm H: 2150 mm
W: 48" D: 40" H: 84.5"
30 Pcs. Box
Gross Weight
320 kg
705 lbs



W: 1200 mm D: 800 mm H: 2150 mm
W: 47.25" D: 31.5" H: 84.5"
24 Pcs. Box
Gross Weight
255 kg
562 lbs



ACOUSTIC PERFORMANCE





Rhythmic interplay of circular forms

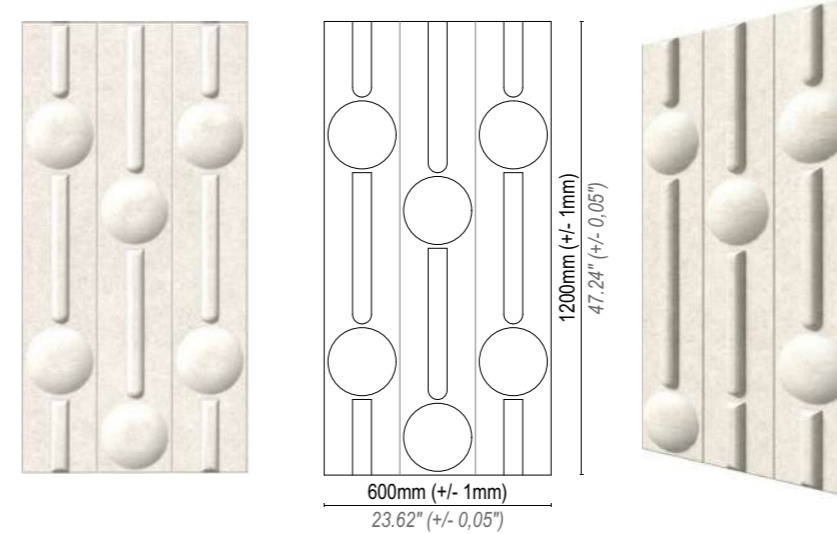
Designed through the rhythmic interplay of circular forms and linear lines, Lolly-Pop offers structural dynamism for interior design solutions.

Engineered for versatility, Lolly-Pop panels can be applied horizontally or vertically to create continuous, dynamic patterns that breathe energy into static surfaces.

This synthesis of form and high-performance sound absorption establishes a sophisticated architectural backdrop while enhancing spatial comfort.



600mm x 1200mm x 15mm



Product Code / Description	Box Qty / m ²	Felt Color Palettes	Mounting Option
LLP-40AAN - Inherent (Panel Only)	12 / 8.64 m ²		
LLP-40PSN - Inherent + Peel & Stick	12 / 8.64 m ²		
LLP-40AAC - Color-IT (Panel Only)	12 / 8.64 m ²		
LLP-40PSC - Color-IT + Peel & Stick	12 / 8.64 m ²		

APPLICATION
Wall & Ceiling - Indoor use only

MATERIAL
Mechanical needled punch industrial felt.
100% PET
up to 60% Recycled content & Recyclable



FIRE RATING
A Class (ASTM E84) -
B s1 d0 (EN 13501-1)

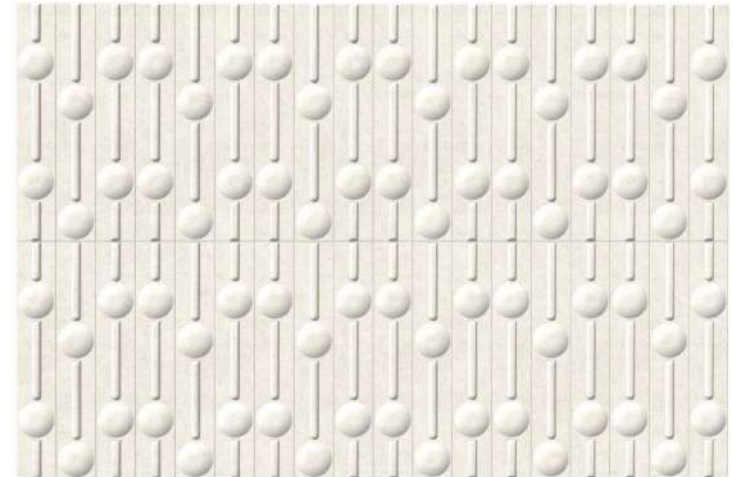
THERMAL INSULATION
0,035 W/mK

WEIGHT
1 tile: 1440 gr. +/- 10% tolerance
1 tile: 3.17 lb with +/- 10% tolerance

THICKNESS
Max. 15 mm (+/- 2 mm) - 0.60" (+/-0.08")
Min. 3 mm (+/- 2 mm) - 0.12" (+/-0.08")

BOX SIZE & CONTENT
W: 1220 mm D: 1220 mm H: 120 mm
W: 48" D: 48" H: 4.72"

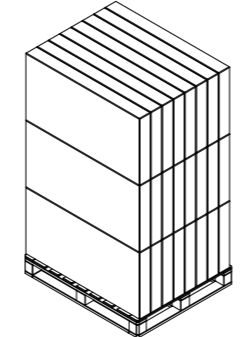
1 Box: 12 x panels
1 Box: 8.64 m²
1 Box: 93.00 ft²
1 Color of choice per package
Gross weight: 19 kg
Gross weight: 42 lbs



PALETTE SIZE & CONTENT

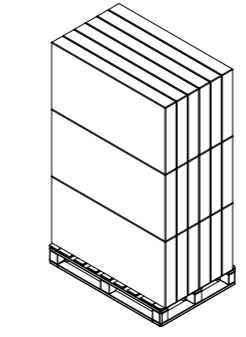
W: 1220 mm D: 1015 mm H: 2150 mm
W: 48" D: 40" H: 84.5"

24 Pcs. Box
Gross Weight
476 kg
1050 lbs

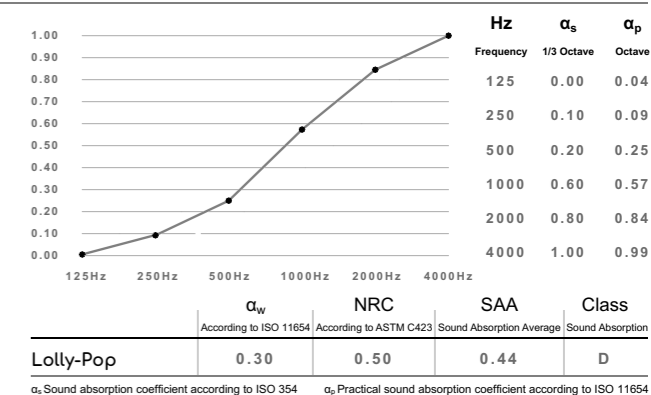



W: 1200 mm D: 800 mm H: 2150 mm
W: 47.25" D: 31.5" H: 84.5"

18 Pcs. Box
Gross Weight
357 kg
787 lbs



ACOUSTIC PERFORMANCE



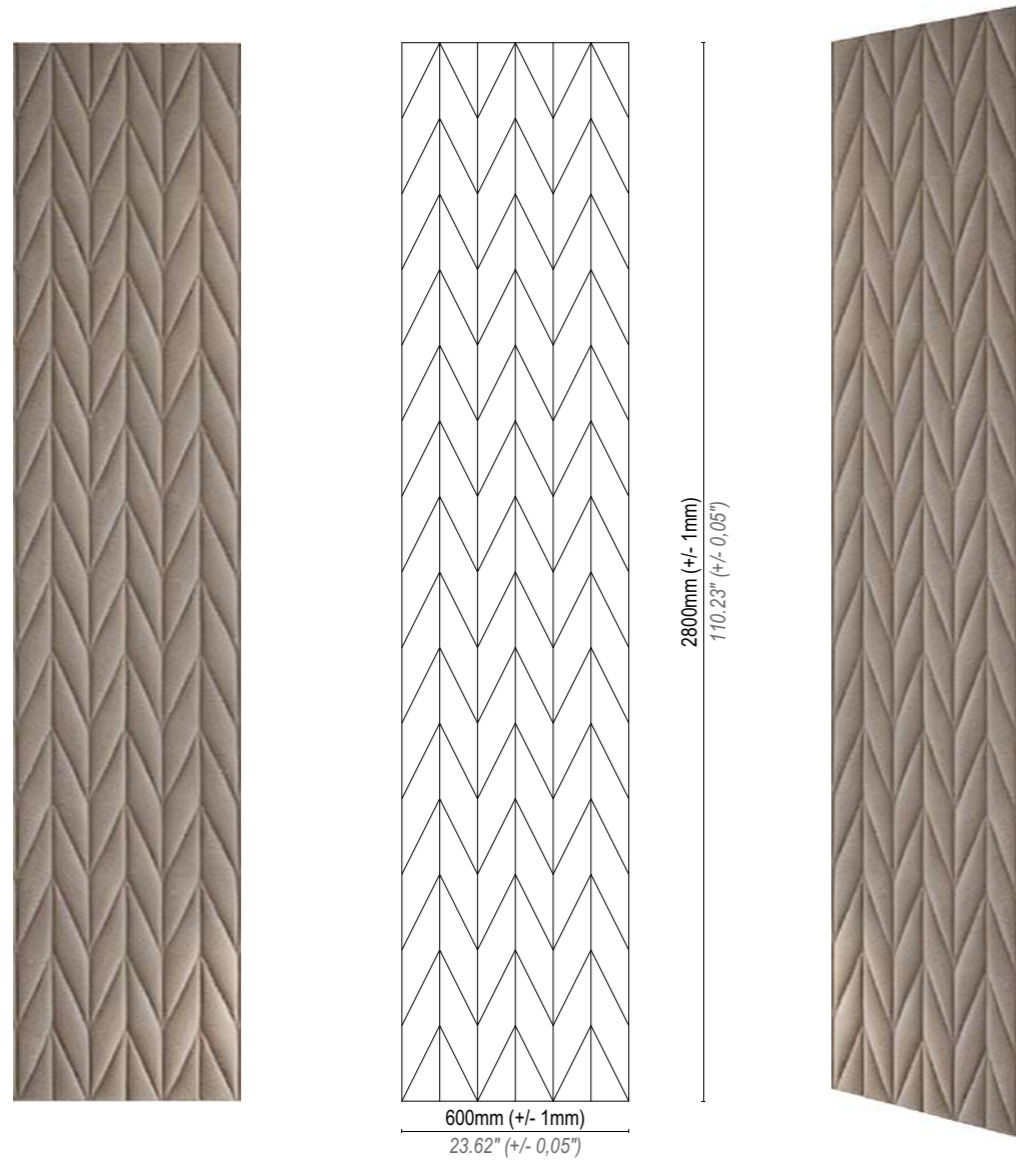


ACOUSTERA

Chevy



A contemporary reinterpretation of the timeless herringbone motif. Utilizing advanced 3D molding technology, Chevy creates a seamless sequence of intersecting diagonals. This unique geometry maximizes sound diffusion by breaking up parallel surfaces, providing a sophisticated and tactile architectural backdrop.



Product Code / Description	Box Qty / m ²	Felt Color Palettes	Recomm. Mounting
CVY-60AAN - Inherent (Panel Only)	12 / 20.16 m ²		
CVY-60AAC - Color-IT (Panel Only)	12 / 20.16 m ²		

APPLICATION
Wall & Ceiling - Indoor use only

MATERIAL
Mechanical needled punch industrial felt.
100% PET up to 60%
Recycled content &
Recyclable

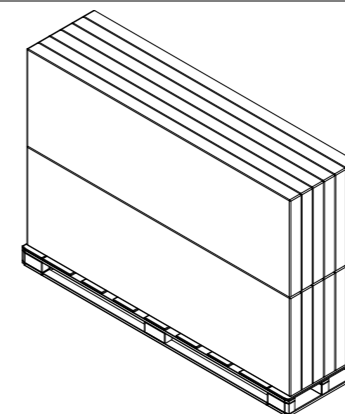
Smooth Surface - Impact Resistance - Flexible
FIRE RATING
A Class (ASTM E84) - B s1 d0 (EN 13501-1)

THERMAL INSULATION
0,035 W/mK

WEIGHT
1 tile: 3400 gr. +/- 10% tolerance
1 tile: 7.5 lbs with +/- 10% tolerance
THICKNESS
Max. 15 mm (+/- 2 mm) - 0.60" (+/-0.08")
Min. 3 mm (+/- 2 mm) - 0.12" (+/-0.08")

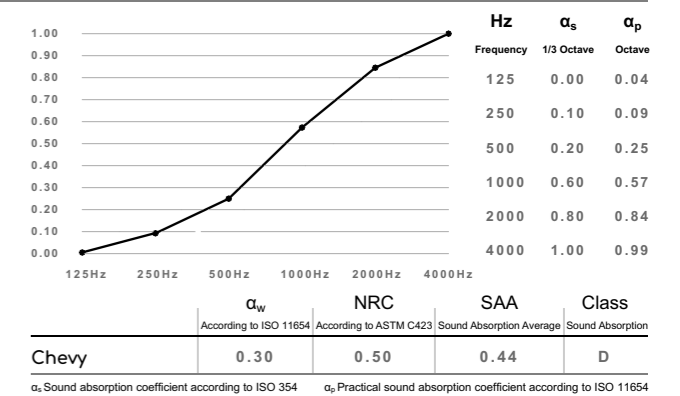
BOX SIZE & CONTENT
W: 1220 mm D: 2820 mm H: 120 mm
W: 48.03" D: 111.02" H: 4.73"
1 Box: 6 x panels
1 Box: 10.08 m²
1 Box: 108.5 ft²
1 Color of choice per package
Gross weight: 23 kg
Gross weight: 50 lbs

PALETTE SIZE & CONTENT



W: 2820 mm D: 800 mm H: 1400 mm
W: 110" D: 31.5" H: 55"
12 Pcs. Box
Gross Weight
225 kg
496 lbs

ACOUSTIC PERFORMANCE





ACOUSTERA

Reedle

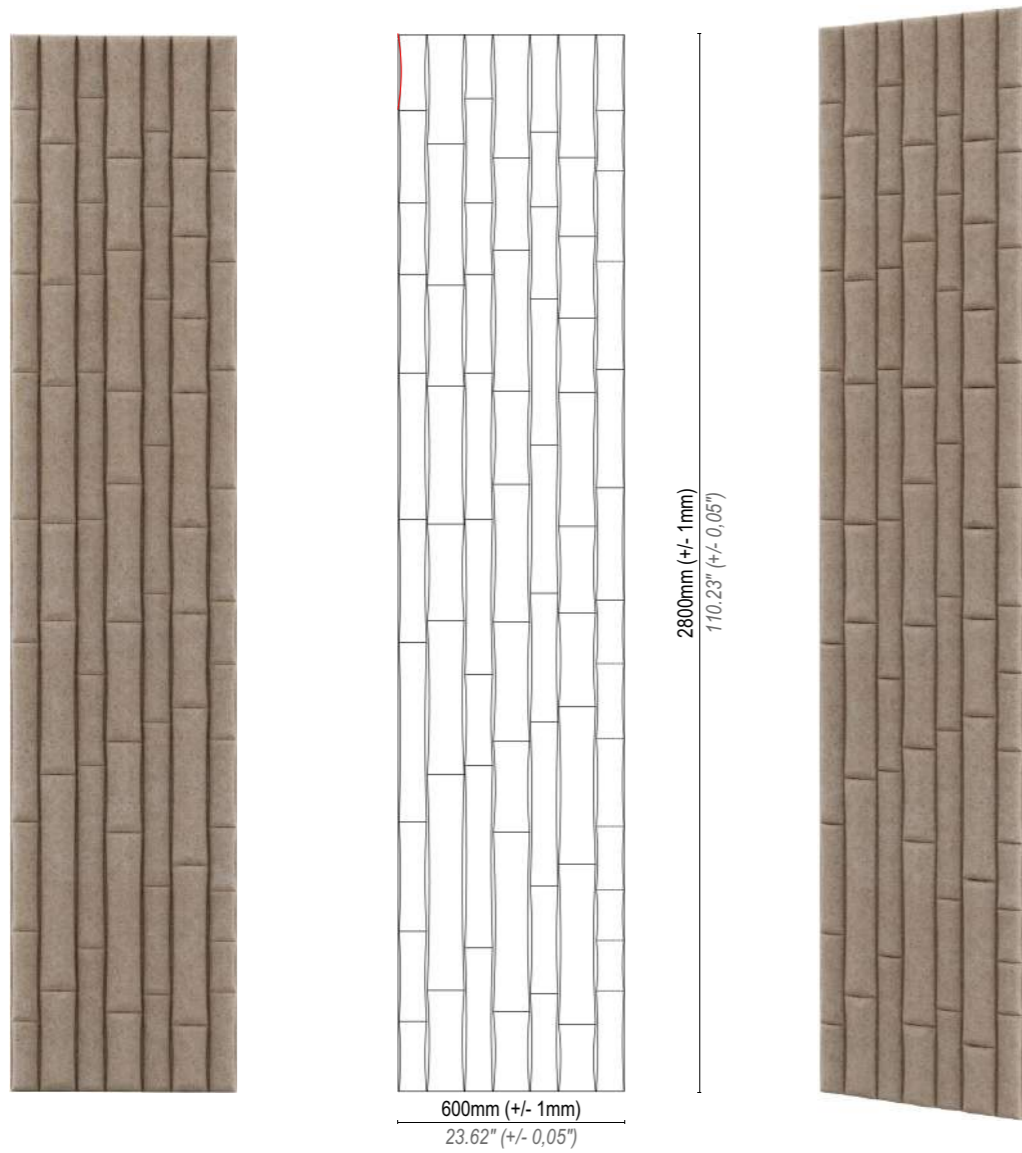


Rhythmic, refined, and inspired by the natural tranquility of bamboo forests.

These panels introduce a soft architectural depth to any interior, engineered to balance acoustics with artistry. The modular format facilitates dynamic compositions, fostering environments designed for both quiet focus and creative energy.



Reedle Sound-Absorbing Ceiling & Wall Panel
600mm x 2800mm x 15mm



Product Code / Description	Box Qty / m ²	Felt Color Palettes	Recomm. Mounting
RDL-60AAN - Inherent (Panel Only)	12 / 20.16 m ²		 Standard
RDL-60AAC - Color-IT (Panel Only)	12 / 20.16 m ²		

APPLICATION

Wall & Ceiling - Indoor use only

MATERIAL

Mechanical needed punch industrial felt.
100% PET up to 60%
Recycled content &
Recyclable



Smooth Surface - Impact Resistance - Flexible

FIRE RATING

A Class (ASTM E84) - B s1 d0 (EN 13501-1)

THERMAL INSULATION

0,035 W/mK

WEIGHT

1 tile: 3400 gr. +/- 10% tolerance
1 tile: 7.5 lbs with +/- 10% tolerance

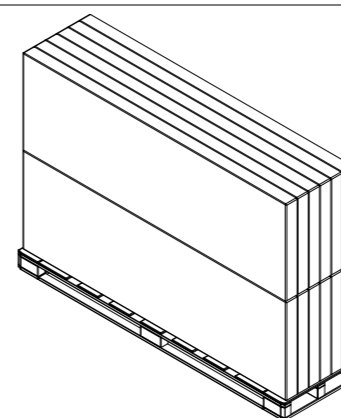
THICKNESS

Max. 15 mm (+/- 2 mm) - 0.60" (+/-0.08")
Min. 3 mm (+/- 2 mm) - 0.12" (+/-0.08")

BOX SIZE & CONTENT

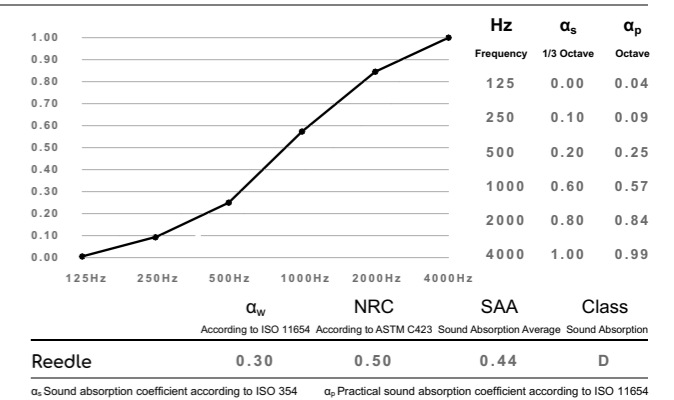
W: 1220 mm D: 2820 mm H: 120 mm
W: 48.03" D: 111.02" H: 4.73"
1 Box: 6 x panels
1 Box: 10.08 m²
1 Box: 108.5 ft²
1 Color of choice per package
Gross weight: 23 kg
Gross weight: 50 lbs

PALETTE SIZE & CONTENT



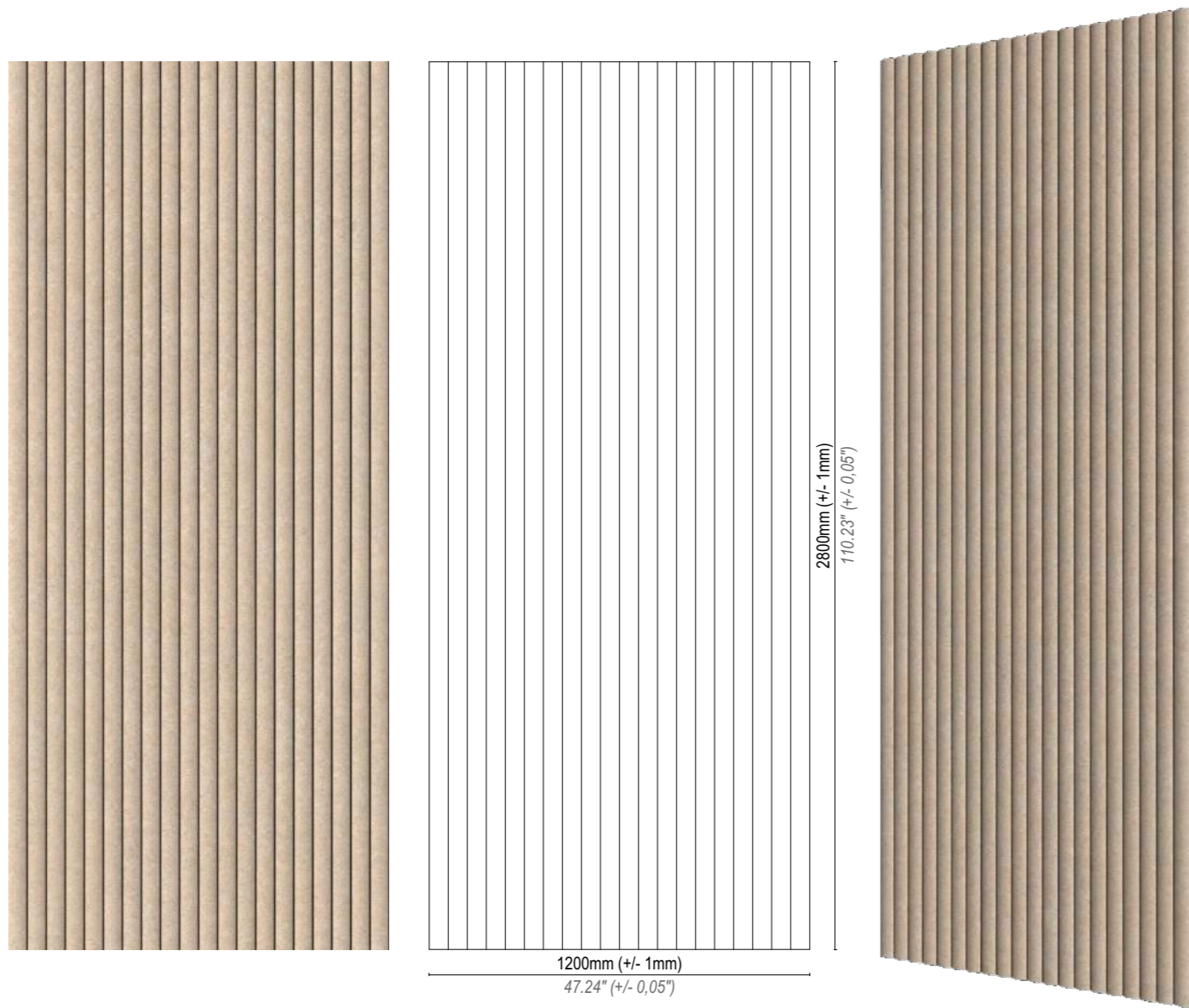
W: 2820 mm D: 800 mm H: 1400 mm
W: 110" D: 31.5" H: 55"
12 Pcs. Box
Gross Weight
225 kg
496 lbs

ACOUSTIC PERFORMANCE



 ACOUSTERA
EchoStripe





Product Code / Description	Box Qty / m ²	Inherent	Color-IT	Recomm. Mounting
EST-60AAN - Inherent (Panel Only)	6 / 20.16 m ²			 Standard
EST-60AAC - Color-IT (Panel Only)	6 / 20.16 m ²			



APPLICATION
Wall & Ceiling - Indoor use only

MATERIAL
Mechanical needled punch industrial felt.
100% PET up to 60%
Recycled content &
Recyclable

Smooth Surface - Impact Resistance - Flexible

FIRE RATING
A Class (ASTM E84) - B s1 d0 (EN 13501-1)

THERMAL INSULATION
0,035 W/mK

WEIGHT
1 tile: 6800 gr. +/- 10% tolerance
1 tile: 15 lbs with +/- 10% tolerance

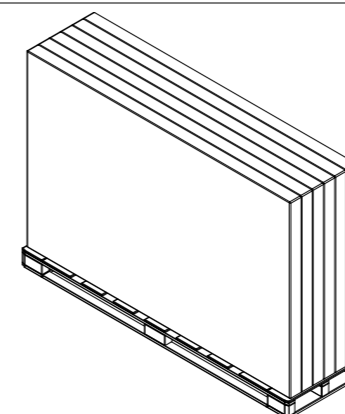
THICKNESS
Max. 15 mm (+/- 2 mm) - 0.60" (+/-0.08")
Min. 3 mm (+/- 2 mm) - 0.12" (+/-0.08")

BOX SIZE & CONTENT
W: 1220 mm D: 2820 mm H: 120 mm
W: 48.03" D: 111.02" H: 4.73"

1 Box: 6 x panels
1 Box: 20.16 m²
1 Box: 217 ft²

1 Color of choice per package
Gross weight: 45 kg
Gross weight: 99 lbs

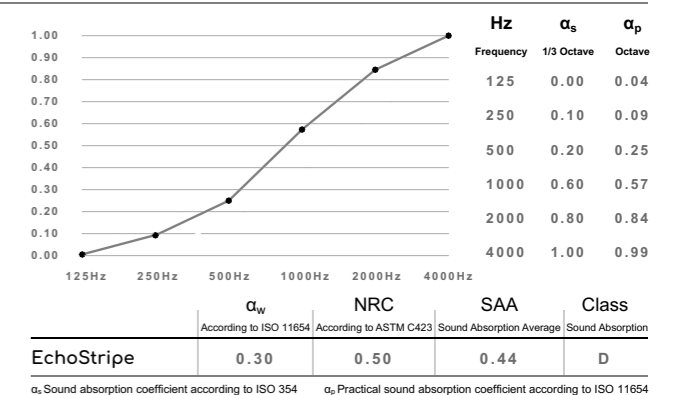
PALETTE SIZE & CONTENT



W: 2820 mm D: 800 mm H: 1400 mm
W: 110" D: 31.5" H: 55"

6 Pcs. Box
Gross Weight
300 kg
660 lbs

ACOUSTIC PERFORMANCE





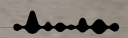
ACOUSTERA

Woody Felt



Transforming PET into Wood-Like Elegance

Our innovative 'Woody-Felt' uses eco-friendly printing on recycled PET felt to mimic wood without cutting trees. This sustainable approach extends wood-like aesthetics to curved edges, achieving a seamless and environmentally responsible design.



WoodyFelt - Small Sound-Absorbing Ceiling & Wall Panel



150mm x 1200mm x 15mm



Product Code / Description	Box Qty / m ²	Felt Color Palettes	Mounting Option
WFS-20AAN - Inherent (Panel Only)	48 / 8.64 m ²		
WFS-20PSN - Inherent + Peel & Stick	48 / 8.64 m ²		
WFS-20AAC - Color-IT (Panel Only)	48 / 8.64 m ²		
WFS-20PSC - Color-IT + Peel & Stick	48 / 8.64 m ²		



WoodyFelt - Small Sound-Absorbing Ceiling & Wall Panel



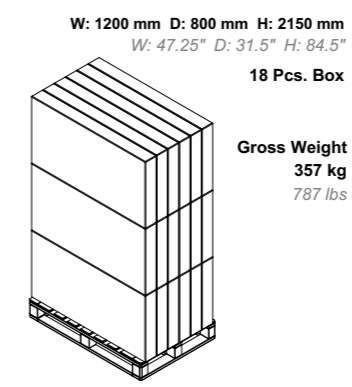
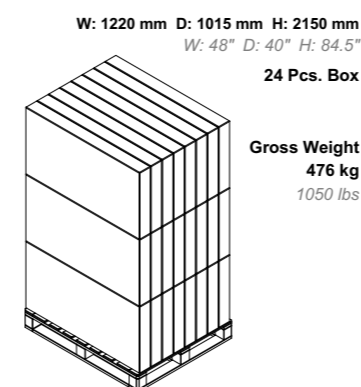
150mm x 1200mm x 15mm



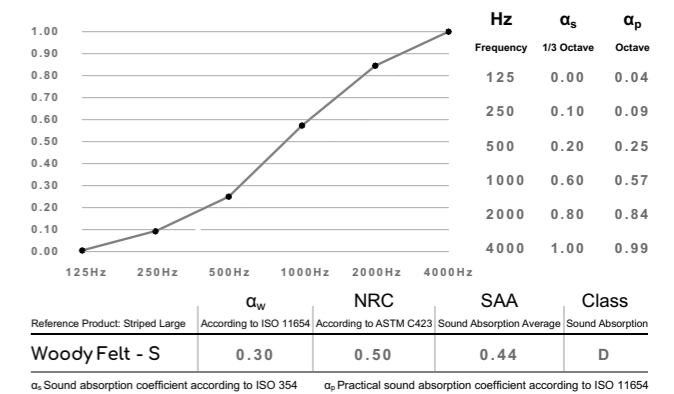
APPLICATION Wall & Ceiling - Indoor use only MATERIAL Mechanical needled punch industrial felt. 100% PET up to 60% Recycled content & Recyclable	FIRE RATING A Class (ASTM E84) - B s1 d0 (EN 13501-1) THERMAL INSULATION 0,035 W/mK	WEIGHT 1 tile: 360 gr. +/- 10% tolerance 1 tile: 0.80 lbs with +/- 10% tolerance THICKNESS Max. 15 mm (+/- 2 mm) - 0.60" (+/-0.08") Min. 3 mm (+/- 2 mm) - 0.12" (+/-0.08")	BOX SIZE & CONTENT W: 620 mm D: 1220 mm H: 120 mm W: 24.5" D: 48" H: 4.73" 1 Box: 48 x panels 1 Box: 8.64 m ² 1 Box: 93 ft ² 1 Color of choice per package Gross weight: 19 kg Gross weight: 42 lbs
---	--	--	--



PALETTE SIZE & CONTENT



ACOUSTIC PERFORMANCE



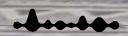


ACOUSTERA

Striped



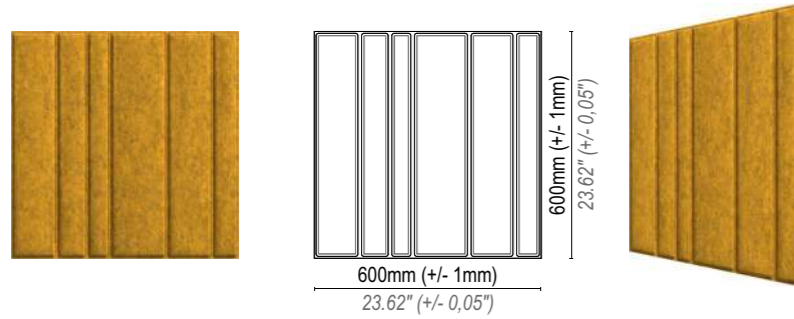
A modular system of three distinct scales designed for infinite architectural expression.



Striped Small Sound-Absorbing Ceiling & Wall Panel



600mm x 600mm x 15mm



Product Code / Description	Box Qty / m ²	Felt Color Palettes	Mounting Option
STS-40AAN - Inherent (Panel Only)	12 / 4.32 m ²		
STS-40PSN - Inherent + Peel & Stick	12 / 4.32 m ²		
STS-40AAC - Color-IT (Panel Only)	12 / 4.32 m ²		
STS-40PSC - Color-IT + Peel & Stick	12 / 4.32 m ²		

APPLICATION
Wall & Ceiling - Indoor use only

MATERIAL
Mechanical needled punch industrial felt.
100% PET up to 60% Recycled content & Recyclable

Smooth Surface - Impact Resistance - Flexible

FIRE RATING
A Class (ASTM E84) - B s1 d0 (EN 13501-1)

THERMAL INSULATION
0,035 W/mK

WEIGHT
1 tile: 720 gr. +/- 10% tolerance
1 tile: 1.6 lb with +/- 10% tolerance

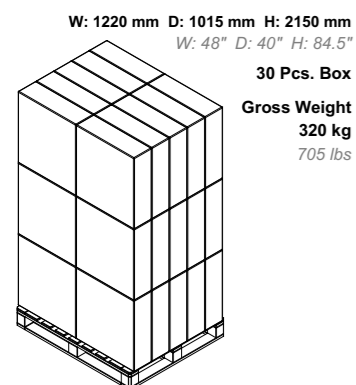
THICKNESS
 Max. 15 mm (+/- 2 mm) - 0.60" (+/-0.08")
Min. 3 mm (+/- 2 mm) - 0.12" (+/-0.08")

BOX SIZE & CONTENT
W: 620 mm D: 660 mm H: 190 mm
W: 24.5" D: 26" H: 7.5"

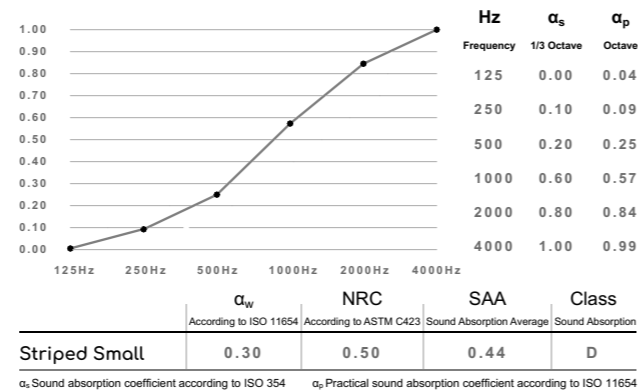
1 Box: 12 x panels
1 Box: 4.32 m²
1 Box: 46.50 ft²
1 Color of choice per package
Gross weight: 10 kg
Gross weight: 22 lbs



PALETTE SIZE & CONTENT



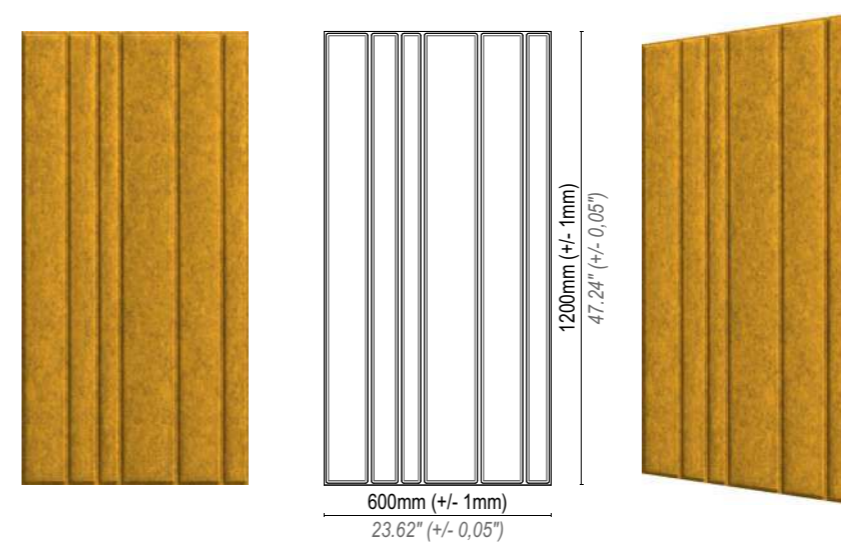
ACOUSTIC PERFORMANCE



Striped Medium Sound-Absorbing Ceiling & Wall Panel



600mm x 1200mm x 15mm



Product Code / Description	Box Qty / m ²	Felt Color Palettes	Mounting Option
STM-40AAN - Inherent (Panel Only)	12 / 8.64 m ²		
STM-40PSN - Inherent + Peel & Stick	12 / 8.64 m ²		
STM-40AAC - Color-IT (Panel Only)	12 / 8.64 m ²		
STM-40PSC - Color-IT + Peel & Stick	12 / 8.64 m ²		

APPLICATION
Wall & Ceiling - Indoor use only

MATERIAL
Mechanical needled punch industrial felt.
100% PET
up to 60% Recycled content & Recyclable

Smooth Surface - Impact Resistance - Flexible

FIRE RATING
A Class (ASTM E84) -
B s1 d0 (EN 13501-1)

THERMAL INSULATION
0,035 W/mK

WEIGHT
1 tile: 1440 gr. +/- 10% tolerance
1 tile: 3.17 lb with +/- 10% tolerance

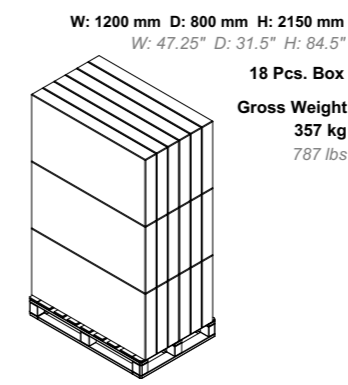
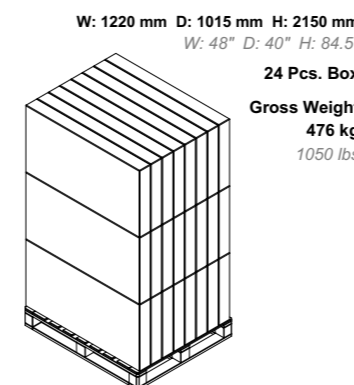
THICKNESS
 Max. 15 mm (+/- 2 mm) - 0.60" (+/-0.08")
Min. 3 mm (+/- 2 mm) - 0.12" (+/-0.08")

BOX SIZE & CONTENT
W: 1220 mm D: 1220 mm H: 120 mm
W: 48" D: 48" H: 4.72"

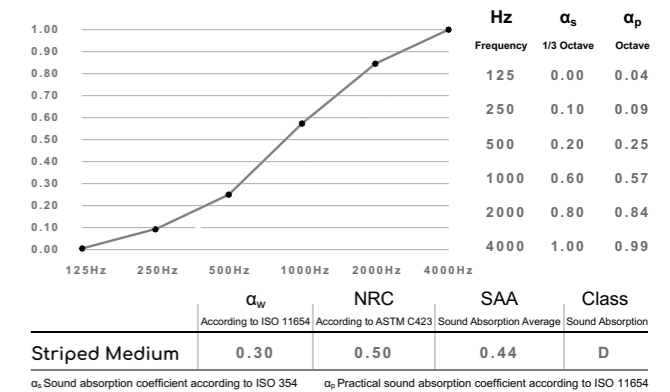
1 Box: 12 x panels
1 Box: 8.64 m²
1 Box: 93.00 ft²
1 Color of choice per package
Gross weight: 19 kg
Gross weight: 42 lbs



PALETTE SIZE & CONTENT

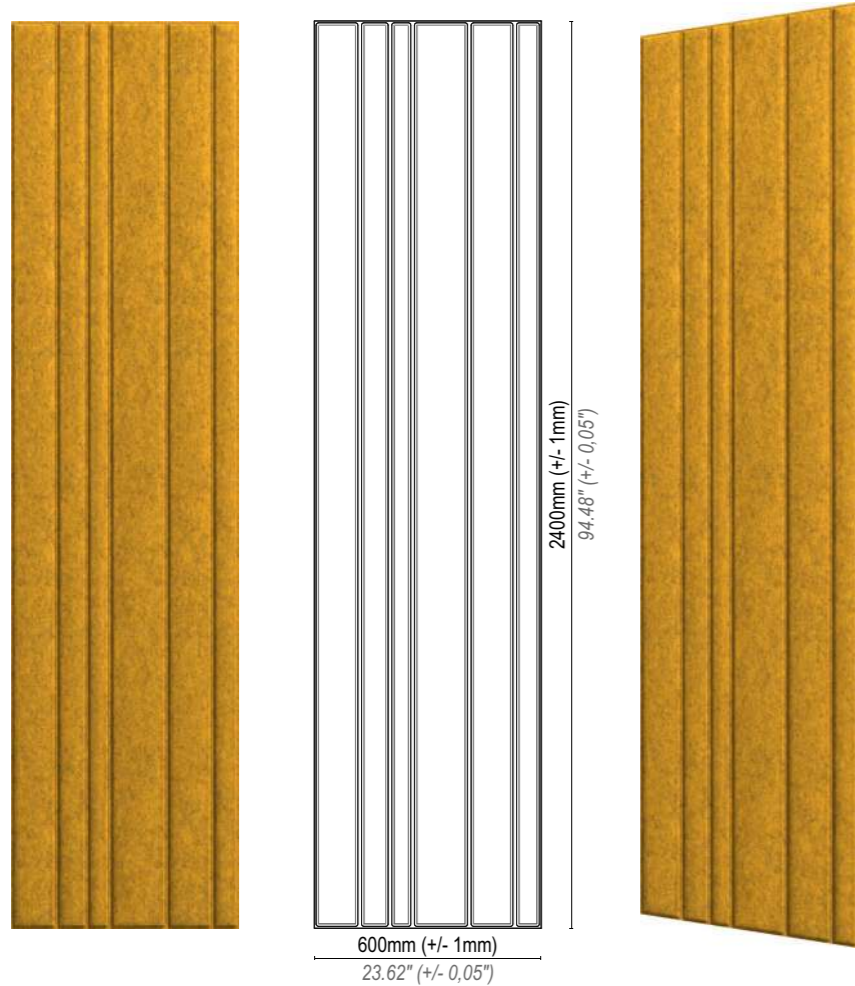


ACOUSTIC PERFORMANCE



Striped Large Sound-Absorbing Ceiling & Wall Panel

600mm x 2400mm x 15mm



Product Code / Description	Box Qty / m ²	Felt Color Palettes	Recomm. Mounting
STL-40AAN - Inherent (Panel Only)	6 / 8.64 m ²		<p>Standard</p>
STL-40AAC - Color-IT (Panel Only)	6 / 8.64 m ²		

Striped Large Sound-Absorbing Decorative Panel

600mm x 2400mm x 15mm



APPLICATION
Wall & Ceiling - Indoor use only

MATERIAL
Mechanical needled punch industrial felt.
100% PET up to 60% Recycled content & Recyclable

THICKNESS
Max. 15 mm (+/- 2 mm) - 0.60" (+/-0.08")
Min. 3 mm (+/- 2 mm) - 0.12" (+/-0.08")

FIRE RATING
A Class (ASTM E84) - B s1 d0 (EN 13501-1)

THERMAL INSULATION
0,035 W/mK

WEIGHT
1 tile: 2880 gr. +/- 10% tolerance
1 tile: 6.40 lbs with +/- 10% tolerance

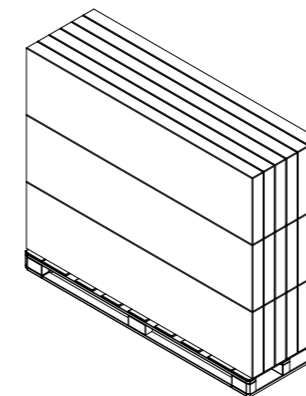
THICKNESS
Max. 15 mm (+/- 2 mm) - 0.60" (+/-0.08")
Min. 3 mm (+/- 2 mm) - 0.12" (+/-0.08")

BOX SIZE & CONTENT
W: 620 mm D: 2420 mm H: 120 mm
W: 24.5" D: 65.3" H: 4.73"

1 Box: 6 x panels
1 Box: 8.64 m²
1 Box: 93 ft²

1 Color of choice per package
Gross weight: 20 kg
Gross weight: 44 lbs

PALETTE SIZE & CONTENT

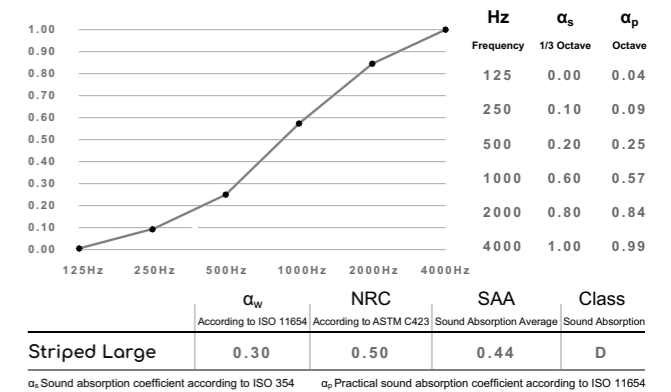


W: 1200 mm D: 800 mm H: 2150 mm
W: 47.25" D: 31.5" H: 84.5"

18 Pcs. Box

Gross Weight
380 kg
838 lbs

ACOUSTIC PERFORMANCE



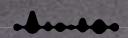


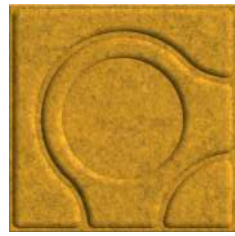
ACOUSTERA

Rody



The Ultimate Fusion of Acoustic Harmony & Modular Lighting





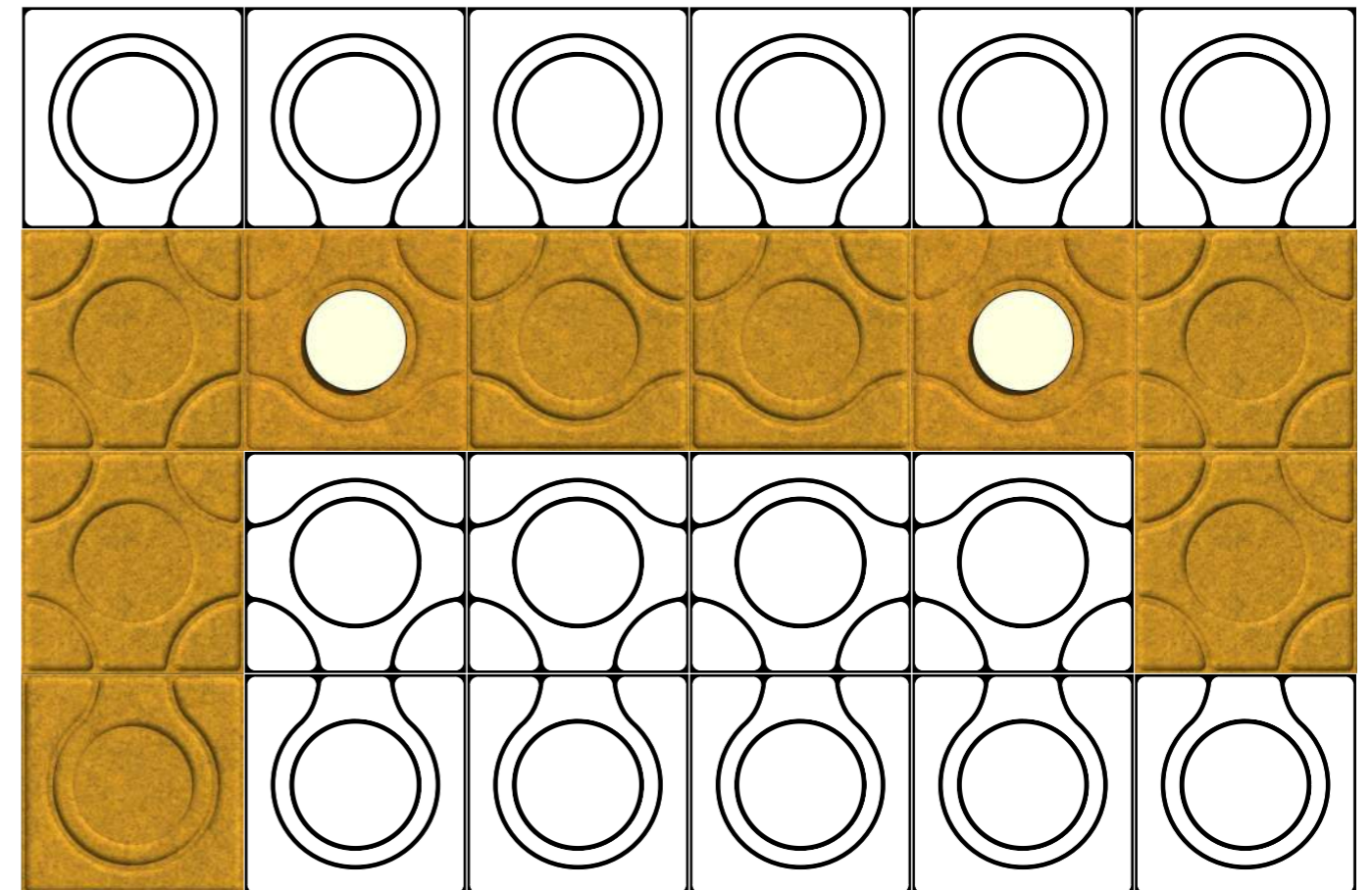
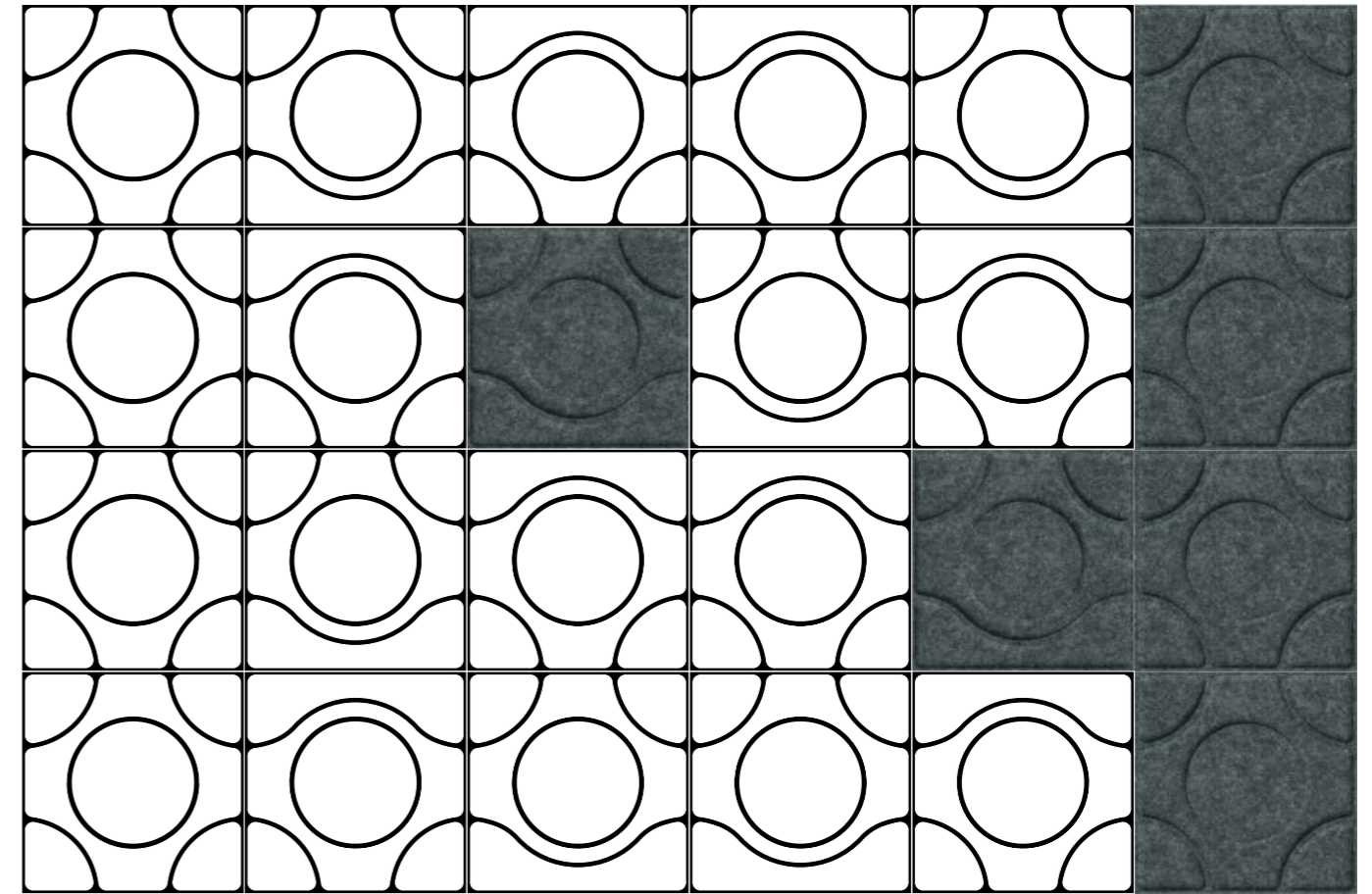
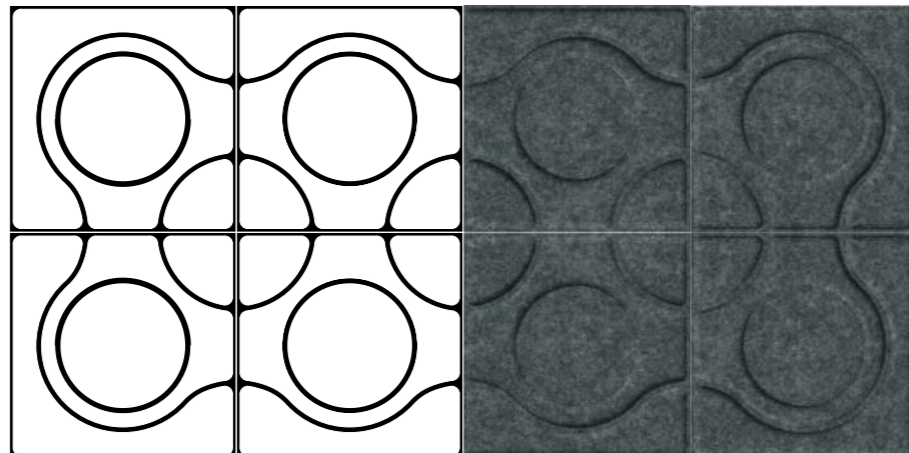
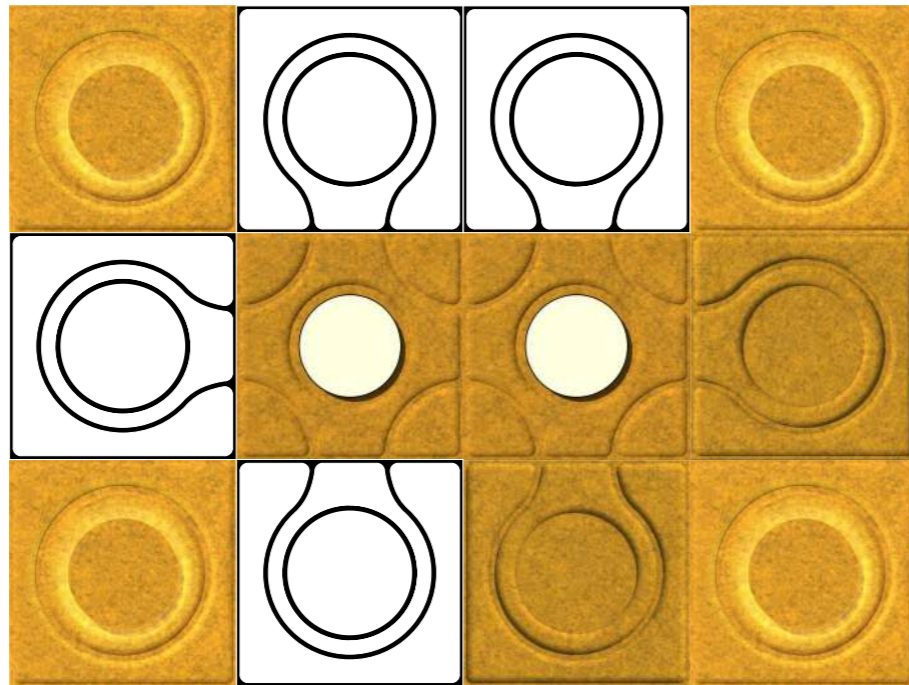
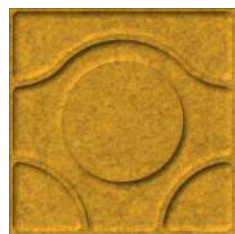
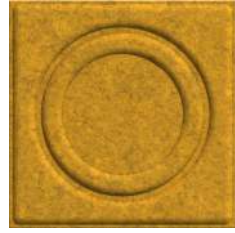
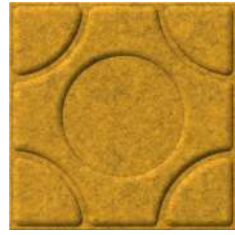
Introducing Rody

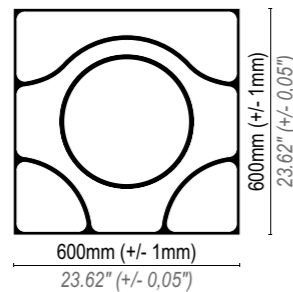
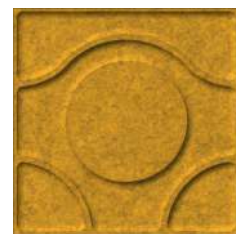
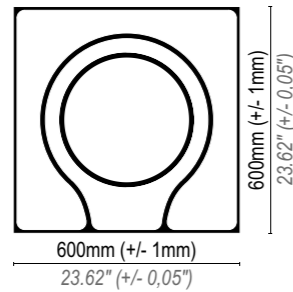
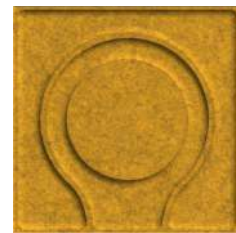
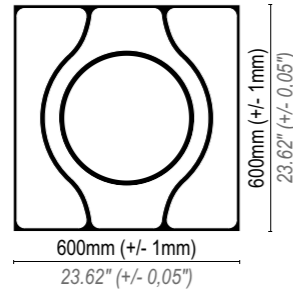
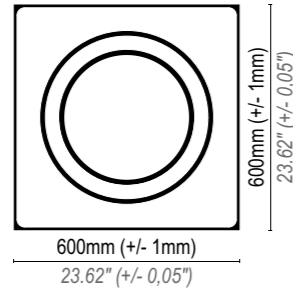
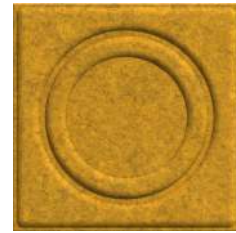
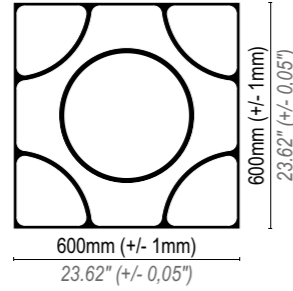
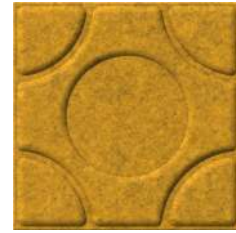
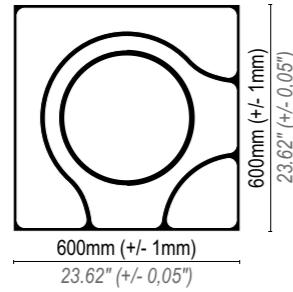
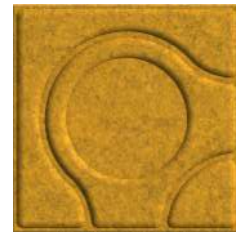
A revolutionary modular panel system redefining the boundaries of interior architecture.

Featuring six distinct yet perfectly compatible designs, Rody offers a versatile option for vast creativity and configuration possibilities.

Rody offers solutions to completely transform walls and ceilings, combining superior acoustic performance with advanced lighting technology.

The fully customizable Rody acoustic panels go beyond balancing sound and comfort; they are engineered to provide a seamless, integrated lighting solution with the option for direct or indirect lighting on every individual module.





APPLICATION

Wall & Ceiling - Indoor use only

MATERIAL

Mechanical needled punch industrial felt.
100% PET up to 60% Recycled content & Recyclable



FIRE RATING

A Class (ASTM E84) -
B s1 d0 (EN 13501-1)

THERMAL INSULATION

0,035 W/mK

WEIGHT

1 tile: 1250 gr. +/- 10% tolerance
1 tile: 2.75 lb with +/- 10% tolerance

THICKNESS

Max. 20 mm (+/- 2 mm) - 0.80" (+/-0.08")
Min. 3 mm (+/- 2 mm) - 0.12" (+/-0.08")

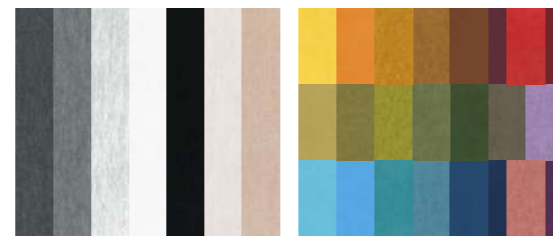
BOX SIZE & CONTENT

W: 620 mm D: 660 mm H: 190 mm
W: 24.5" D: 26" H: 7.5"

1 Box: 12 x panels 1 Color of choice per package

1 Box: 4.32 m² Gross weight: 16.5 kg
1 Box: 46.50 ft² Gross weight: 36.5 lbs

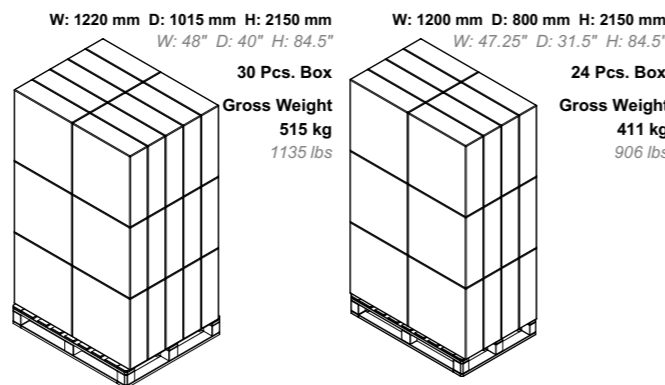
Felt Color Palettes



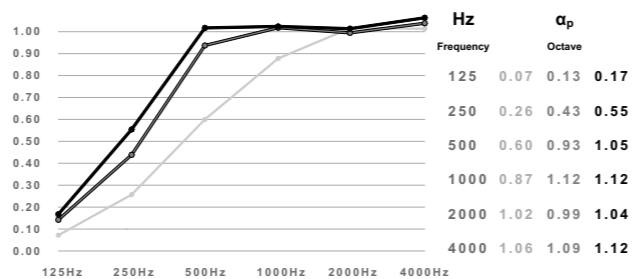
Inherent

Color-IT

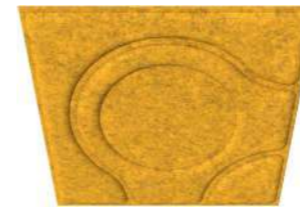
PALETTE SIZE & CONTENT



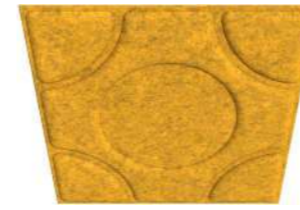
ACOUSTIC PERFORMANCE



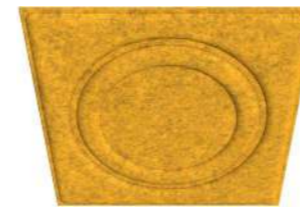
Rody	alpha_w	NRC	SAA	Class
On the surface	0.55	0.70	0.69	D
Distance to surface: 50mm	0.70	0.90	0.88	C
Distance to surface: 100mm	0.85	1.00	0.94	B



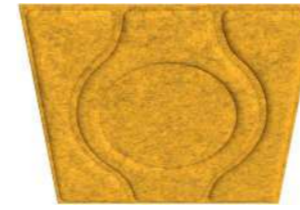
Product Code / Description	Box Qty / m ²	Peel & Stick (Optional)
RPL-40AAN - Inherent (Panel Only)	12 / 4.32 m ²	
RPL-40PSN - Inherent + Peel & Stick	12 / 4.32 m ²	
RPL-40AAC - Color-IT (Panel Only)	12 / 4.32 m ²	
RPL-40PSC - Color-IT + Peel & Stick	12 / 4.32 m ²	



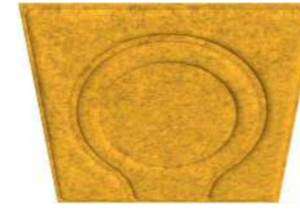
Product Code / Description	Box Qty / m ²	Peel & Stick (Optional)
RPP-40AAN - Inherent (Panel Only)	12 / 4.32 m ²	
RPP-40PSN - Inherent + Peel & Stick	12 / 4.32 m ²	
RPP-40AAC - Color-IT (Panel Only)	12 / 4.32 m ²	
RPP-40PSC - Color-IT + Peel & Stick	12 / 4.32 m ²	



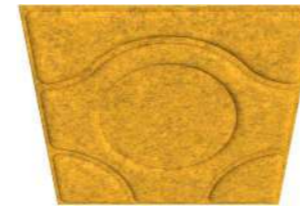
Product Code / Description	Box Qty / m ²	Peel & Stick (Optional)
RPO-40AAN - Inherent (Panel Only)	12 / 4.32 m ²	
RPO-40PSN - Inherent + Peel & Stick	12 / 4.32 m ²	
RPO-40AAC - Color-IT (Panel Only)	12 / 4.32 m ²	
RPO-40PSC - Color-IT + Peel & Stick	12 / 4.32 m ²	



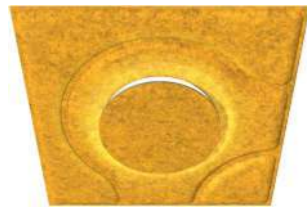
Product Code / Description	Box Qty / m ²	Peel & Stick (Optional)
RPI-40AAN - Inherent (Panel Only)	12 / 4.32 m ²	
RPI-40PSN - Inherent + Peel & Stick	12 / 4.32 m ²	
RPI-40AAC - Color-IT (Panel Only)	12 / 4.32 m ²	
RPI-40PSC - Color-IT + Peel & Stick	12 / 4.32 m ²	



Product Code / Description	Box Qty / m ²	Peel & Stick (Optional)
RPB-40AAN - Inherent (Panel Only)	12 / 4.32 m ²	
RPB-40PSN - Inherent + Peel & Stick	12 / 4.32 m ²	
RPB-40AAC - Color-IT (Panel Only)	12 / 4.32 m ²	
RPB-40PSC - Color-IT + Peel & Stick	12 / 4.32 m ²	



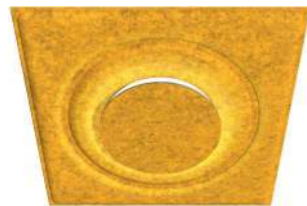
Product Code / Description	Box Qty / m ²	Peel & Stick (Optional)
RPT-40AAN - Inherent (Panel Only)	12 / 4.32 m ²	
RPT-40PSN - Inherent + Peel & Stick	12 / 4.32 m ²	
RPT-40AAC - Color-IT (Panel Only)	12 / 4.32 m ²	
RPT-40PSC - Color-IT + Peel & Stick	12 / 4.32 m ²	



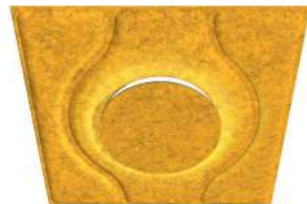
Product Code / Description	Control Options	Color Temp.	Diffuser Options
RIL-40AAN - Inherent + Indirect Lighting LED, Aluminium body Luminaire 12W / 720 lm Ø230mm	External Driver, ON/OFF, DALI, PushDim, Bluetooth CRI>80 or CRI>90	2700 K 3000 K 4000 K	Opal
RIL-40AAC - Color-IT + Indirect Lighting LED, Aluminium body Luminaire 12W / 720 lm Ø230mm	External Driver, ON/OFF, DALI, PushDim, Bluetooth CRI>80 or CRI>90	2700 K 3000 K 4000 K	Opal



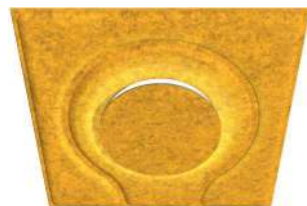
Product Code / Description	Control Options	Color Temp.	Diffuser Options
RIP-40AAN - Inherent + Indirect Lighting LED, Aluminium body Luminaire 12W / 720 lm Ø230mm	External Driver, ON/OFF, DALI, PushDim, Bluetooth CRI>80 or CRI>90	2700 K 3000 K 4000 K	Opal
RIP-40AAC - Color-IT + Indirect Lighting LED, Aluminium body Luminaire 12W / 720 lm Ø230mm	External Driver, ON/OFF, DALI, PushDim, Bluetooth CRI>80 or CRI>90	2700 K 3000 K 4000 K	Opal



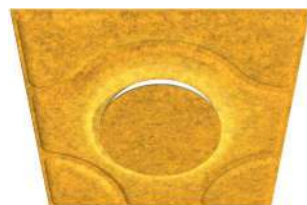
Product Code / Description	Control Options	Color Temp.	Diffuser Options
RIO-40AAN - Inherent + Indirect Lighting LED, Aluminium body Luminaire 12W / 720 lm Ø230mm	External Driver, ON/OFF, DALI, PushDim, Bluetooth CRI>80 or CRI>90	2700 K 3000 K 4000 K	Opal
RIO-40AAC - Color-IT + Indirect Lighting LED, Aluminium body Luminaire 12W / 720 lm Ø230mm	External Driver, ON/OFF, DALI, PushDim, Bluetooth CRI>80 or CRI>90	2700 K 3000 K 4000 K	Opal



Product Code / Description	Control Options	Color Temp.	Diffuser Options
RII-40AAN - Inherent + Indirect Lighting LED, Aluminium body Luminaire 12W / 720 lm Ø230mm	External Driver, ON/OFF, DALI, PushDim, Bluetooth CRI>80 or CRI>90	2700 K 3000 K 4000 K	Opal
RII-40AAC - Color-IT + Indirect Lighting LED, Aluminium body Luminaire 12W / 720 lm Ø230mm	External Driver, ON/OFF, DALI, PushDim, Bluetooth CRI>80 or CRI>90	2700 K 3000 K 4000 K	Opal



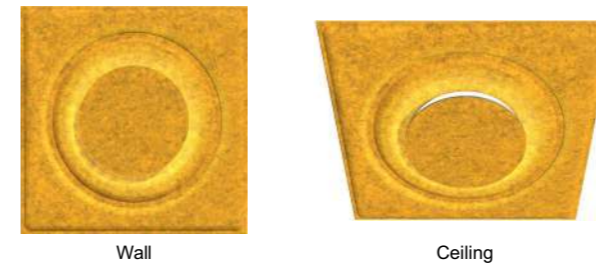
Product Code / Description	Control Options	Color Temp.	Diffuser Options
RIB-40AAN - Inherent + Indirect Lighting LED, Aluminium body Luminaire 12W / 720 lm Ø230mm	External Driver, ON/OFF, DALI, PushDim, Bluetooth CRI>80 or CRI>90	2700 K 3000 K 4000 K	Opal
RIB-40AAC - Color-IT + Indirect Lighting LED, Aluminium body Luminaire 12W / 720 lm Ø230mm	External Driver, ON/OFF, DALI, PushDim, Bluetooth CRI>80 or CRI>90	2700 K 3000 K 4000 K	Opal



Product Code / Description	Control Options	Color Temp.	Diffuser Options
RIT-40AAN - Inherent + Indirect Lighting LED, Aluminium body Luminaire 12W / 720 lm Ø230mm	External Driver, ON/OFF, DALI, PushDim, Bluetooth CRI>80 or CRI>90	2700 K 3000 K 4000 K	Opal
RIT-40AAC - Color-IT + Indirect Lighting LED, Aluminium body Luminaire 12W / 720 lm Ø230mm	External Driver, ON/OFF, DALI, PushDim, Bluetooth CRI>80 or CRI>90	2700 K 3000 K 4000 K	Opal

Lighting

BACK LIGHT



Wall

Ceiling

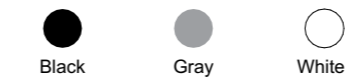
LUMINAIRE

Dimensions: H35 x Ø230mm
Luminaire type: LED
Beamwidth: Indirect
Diffuser: Opal
Control: On-Off, DALI, Push-Dim, Bluetooth
Beam Angle: Diffuse 110°
Luminous Flux: 720 lm
Color Temperature: 2700K, 3000K, 4000K
CRI: >80, >90
Driver : External

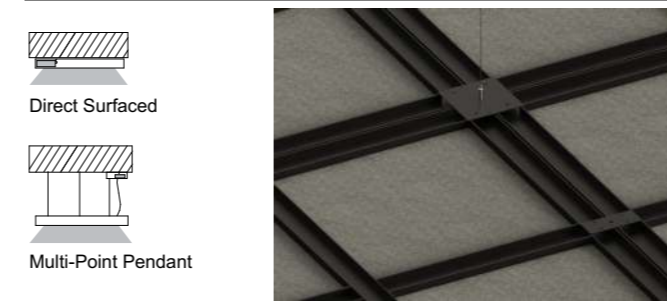
ELECTRICAL

Voltage: AC (220 volts)
Total power: 12W
IP 20
UGR <19

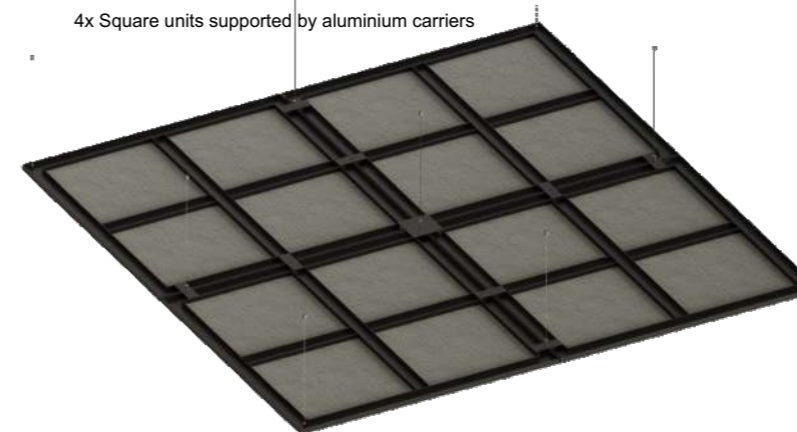
BODY COLOR OPTIONS



MOUNTING & INSTALLATION



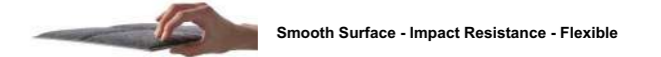
4x Square units supported by aluminium carriers



Acoustic Felt Panel

Wall & Ceiling / Acoustic Lighting - Indoor use only

MATERIAL
Mechanical needled punch industrial felt.
100% PET up to 60% Recycled content & Recyclable



FIRE RATING
A Class (ASTM E84) -
B s1 d0 (EN 13501-1)

THERMAL INSULATION
0,035 W/mK

WEIGHT
1 tile: 1250 gr. +/- 10% tolerance
1 tile: 2.75 lb with +/- 10% tolerance

THICKNESS
Max. 20 mm (+/- 2 mm) - 0.80" (+/-0.08")
Min. 3 mm (+/- 2 mm) - 0.12" (+/-0.08")

BOX SIZE & CONTENT
W: 620 mm D: 660 mm H: 190 mm
W: 24.5" D: 26" H: 7.5"

1 Box: 12 x panels 1 Color of choice per package
1 Box: 4.32 m² Gross weight: 16.5 kg
1 Box: 46.50 ft² Gross weight: 36.5 lbs

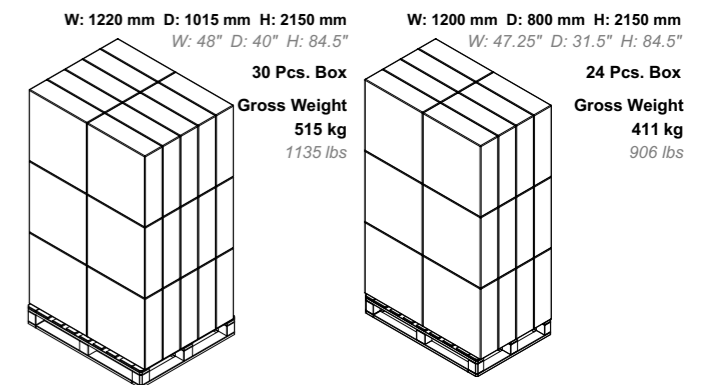
Felt Color Palettes



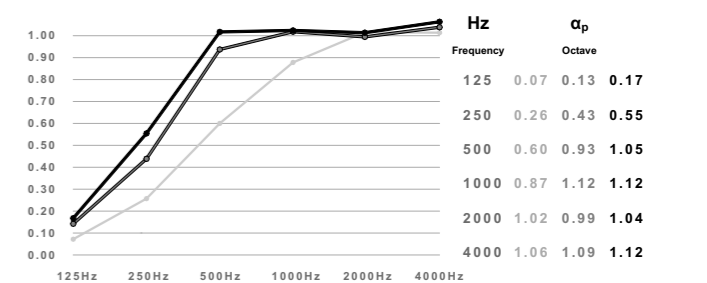
Inherent

Color-IT

PALETTE SIZE & CONTENT

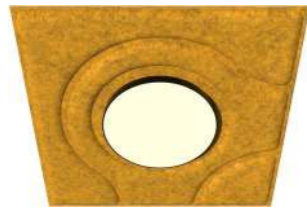


ACOUSTIC PERFORMANCE

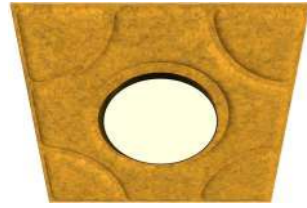


Rody	α _w According to ISO 11654	NRC According to ASTM C423	SAA Sound Absorption Average	Class
On the surface	0.55	0.70	0.69	D
Distance to surface: 50mm	0.70	0.90	0.88	C
Distance to surface: 100mm	0.85	1.00	0.94	B

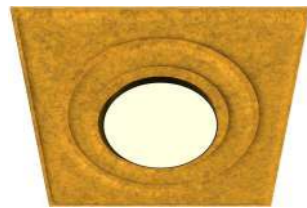
α_p, Sound absorption coefficient according to ISO 354 α_w, Practical sound absorption coefficient according to ISO 11654



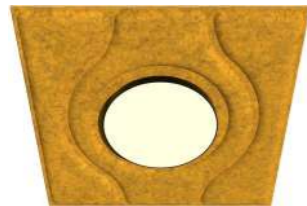
Product Code / Description	Control Options	Color Temp.	Diffuser Options
RDL-40AAN - Inherent + Direct Lighting LED, Aluminium body Lu. 18W/1800 lm Ø180mm -18W/1920 lm Ø220mm	External Driver, ON/OFF, DALI, PushDim, Bluetooth CRI>80 or CRI>90	2700 K 3000 K 4000 K	Opal Microprismatic
RDL-40AAC - Color-IT + Direct Lighting LED, Aluminium body Lu. 18W/1800 lm Ø180mm -18W/1920 lm Ø220mm	External Driver, ON/OFF, DALI, PushDim, Bluetooth CRI>80 or CRI>90	2700 K 3000 K 4000 K	Opal Microprismatic



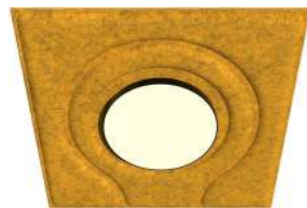
Product Code / Description	Control Options	Color Temp.	Diffuser Options
RDP-40AAN - Inherent + Direct Lighting LED, Aluminium body Lu. 18W/1800 lm Ø180mm -18W/1920 lm Ø220mm	External Driver, ON/OFF, DALI, PushDim, Bluetooth CRI>80 or CRI>90	2700 K 3000 K 4000 K	Opal Microprismatic
RDP-40AAC - Color-IT + Direct Lighting LED, Aluminium body Lu. 18W/1800 lm Ø180mm -18W/1920 lm Ø220mm	External Driver, ON/OFF, DALI, PushDim, Bluetooth CRI>80 or CRI>90	2700 K 3000 K 4000 K	Opal Microprismatic



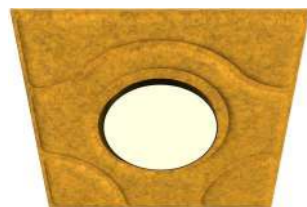
Product Code / Description	Control Options	Color Temp.	Diffuser Options
RDO-40AAN - Inherent + Direct Lighting LED, Aluminium body Lu. 18W/1800 lm Ø180mm -18W/1920 lm Ø220mm	External Driver, ON/OFF, DALI, PushDim, Bluetooth CRI>80 or CRI>90	2700 K 3000 K 4000 K	Opal Microprismatic
RDO-40AAC - Color-IT + Direct Lighting LED, Aluminium body Lu. 18W/1800 lm Ø180mm -18W/1920 lm Ø220mm	External Driver, ON/OFF, DALI, PushDim, Bluetooth CRI>80 or CRI>90	2700 K 3000 K 4000 K	Opal Microprismatic



Product Code / Description	Control Options	Color Temp.	Diffuser Options
RDI-40AAN - Inherent + Direct Lighting LED, Aluminium body Lu. 18W/1800 lm Ø180mm -18W/1920 lm Ø220mm	External Driver, ON/OFF, DALI, PushDim, Bluetooth CRI>80 or CRI>90	2700 K 3000 K 4000 K	Opal Microprismatic
RDI-40AAC - Color-IT + Direct Lighting LED, Aluminium body Lu. 18W/1800 lm Ø180mm -18W/1920 lm Ø220mm	External Driver, ON/OFF, DALI, PushDim, Bluetooth CRI>80 or CRI>90	2700 K 3000 K 4000 K	Opal Microprismatic



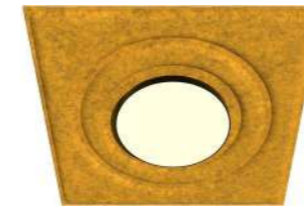
Product Code / Description	Control Options	Color Temp.	Diffuser Options
RDB-40AAN - Inherent + Direct Lighting LED, Aluminium body Lu. 18W/1800 lm Ø180mm -18W/1920 lm Ø220mm	External Driver, ON/OFF, DALI, PushDim, Bluetooth CRI>80 or CRI>90	2700 K 3000 K 4000 K	Opal Microprismatic
RDB-40AAC - Color-IT + Direct Lighting LED, Aluminium body Lu. 18W/1800 lm Ø180mm -18W/1920 lm Ø220mm	External Driver, ON/OFF, DALI, PushDim, Bluetooth CRI>80 or CRI>90	2700 K 3000 K 4000 K	Opal Microprismatic



Product Code / Description	Control Options	Color Temp.	Diffuser Options
RDT-40AAN - Inherent + Direct Lighting LED, Aluminium body Lu. 18W/1800 lm Ø180mm -18W/1920 lm Ø220mm	External Driver, ON/OFF, DALI, PushDim, Bluetooth CRI>80 or CRI>90	2700 K 3000 K 4000 K	Opal Microprismatic
RDT-40AAC - Color-IT + Direct Lighting LED, Aluminium body Lu. 18W/1800 lm Ø180mm -18W/1920 lm Ø220mm	External Driver, ON/OFF, DALI, PushDim, Bluetooth CRI>80 or CRI>90	2700 K 3000 K 4000 K	Opal Microprismatic

Lighting

TASK LIGHT



Ceiling

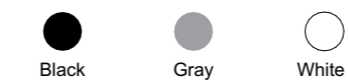
LUMINAIRE

Dimensions: H35 x Ø180mm, H35 x Ø220mm
Luminaire type: LED
Beamwidth: Direct
Diffuser: Opal + Microprismatic
Control: On-Off, DALI, Push-Dim, Bluetooth
Beam Angle: Diffuse 110°
Luminous Flux: 1800 lm, 1920 lm
Color Temperature: 2700K, 3000K, 4000K
CRI: >80, >90
Driver : External

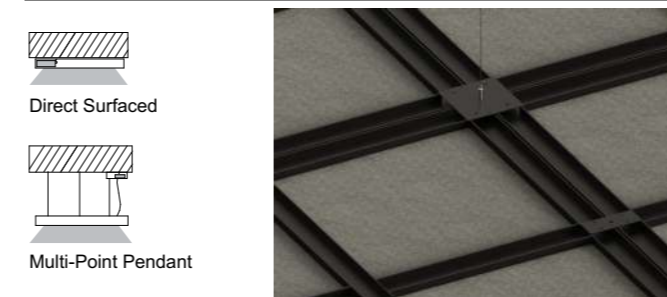
ELECTRICAL

Voltage: AC (220 volts)
Total power: 18W, 18W
IP 20
UGR <19

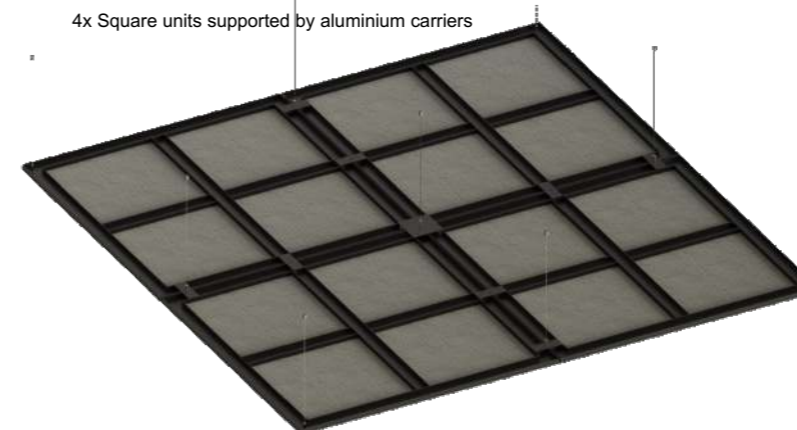
BODY COLOR OPTIONS



MOUNTING & INSTALLATION



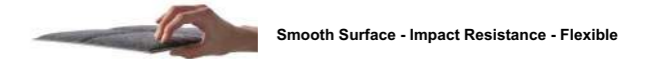
4x Square units supported by aluminium carriers



Acoustic Felt Panel

Wall & Ceiling / Acoustic Lighting - Indoor use only

MATERIAL
Mechanical needled punch industrial felt.
100% PET up to 60% Recycled content & Recyclable



FIRE RATING
A Class (ASTM E84) - B s1 d0 (EN 13501-1)

THERMAL INSULATION
0,035 W/mK

WEIGHT
1 tile: 1250 gr. +/- 10% tolerance
1 tile: 2.75 lb with +/- 10% tolerance

THICKNESS
Max. 20 mm (+/- 2 mm) - 0.80" (+/-0.08")
Min. 3 mm (+/- 2 mm) - 0.12" (+/-0.08")

BOX SIZE & CONTENT
W: 620 mm D: 660 mm H: 190 mm
W: 24.5" D: 26" H: 7.5"

1 Box: 12 x panels 1 Color of choice per package
1 Box: 4.32 m² Gross weight: 16.5 kg
1 Box: 46.50 ft² Gross weight: 36.5 lbs

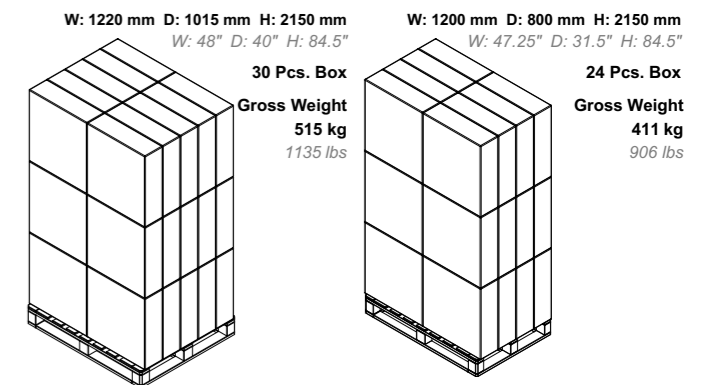
Felt Color Palettes



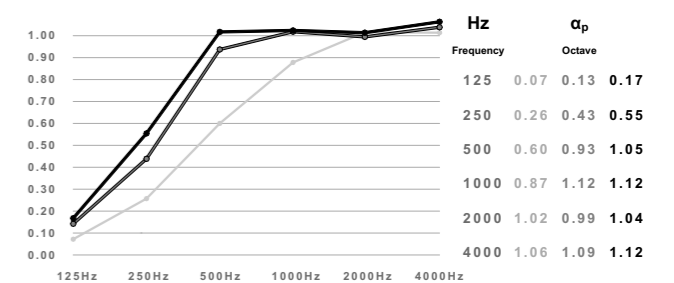
Inherent

Color-IT

PALETTE SIZE & CONTENT



ACOUSTIC PERFORMANCE



Rody	alpha_w	NRC	SAA	Class
On the surface	0.55	0.70	0.69	D
Distance to surface: 50mm	0.70	0.90	0.88	C
Distance to surface: 100mm	0.85	1.00	0.94	B



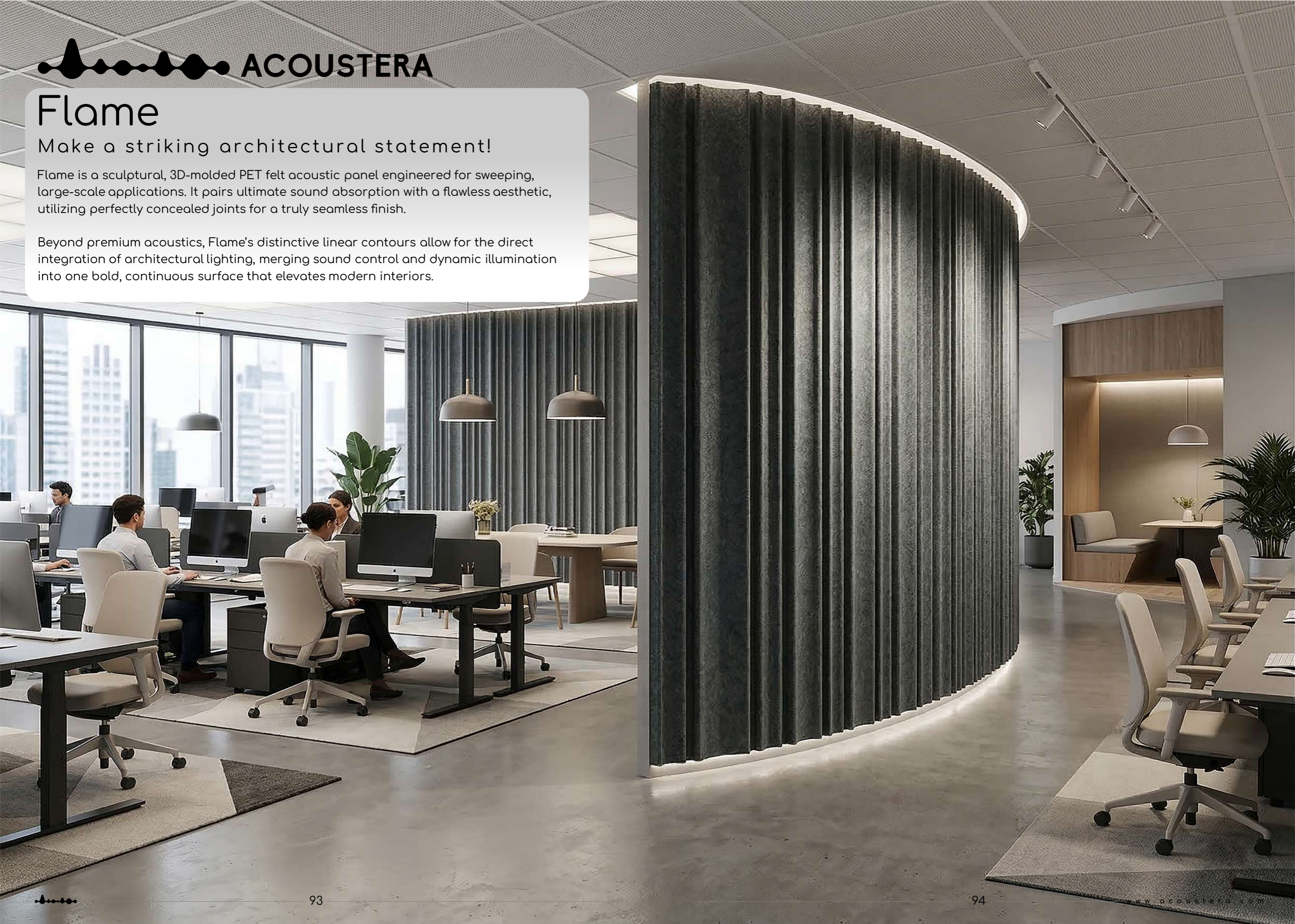
ACOUSTERA

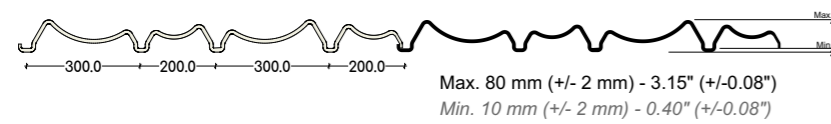
Flame

Make a striking architectural statement!

Flame is a sculptural, 3D-molded PET felt acoustic panel engineered for sweeping, large-scale applications. It pairs ultimate sound absorption with a flawless aesthetic, utilizing perfectly concealed joints for a truly seamless finish.

Beyond premium acoustics, Flame's distinctive linear contours allow for the direct integration of architectural lighting, merging sound control and dynamic illumination into one bold, continuous surface that elevates modern interiors.





APPLICATION
Wall & Ceiling - Indoor use only

MATERIAL
Mechanical needed punch industrial felt.
100% PET up to 60%
Recycled content &
Recyclable

THICKNESS

FIRE RATING
A Class (ASTM E84) - B s1 d0 (EN 13501-1)

THERMAL INSULATION
0,035 W/mK

WEIGHT
1 tile: 6800 gr. +/- 10% tolerance
1 tile: 15 lbs with +/- 10% tolerance

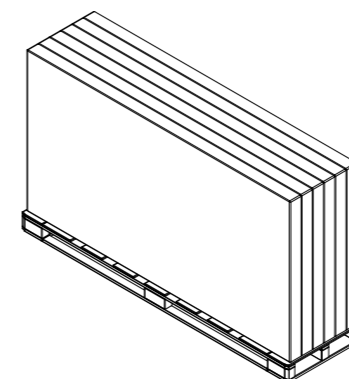
BOX SIZE & CONTENT
W: 1020 mm D: 2720 mm H: 120 mm
W: 40.16\" D: 107.08\" H: 4.73\"

1 Box: 2 x panels
1 Box: 5.40 m²
1 Box: 58.125 ft²

1 Color of choice per package
Gross weight: 16 kg
Gross weight: 35.3 lbs

Product Code / Description	Box Qty / m ²	Felt Color Palettes	Recomm. Mounting
FLP-60AAN - Inherent (Panel Only)	2 / 5.40 m ²		
FLP-60AAS - Solid Core (Panel Only)	2 / 5.40 m ²		
			Standard

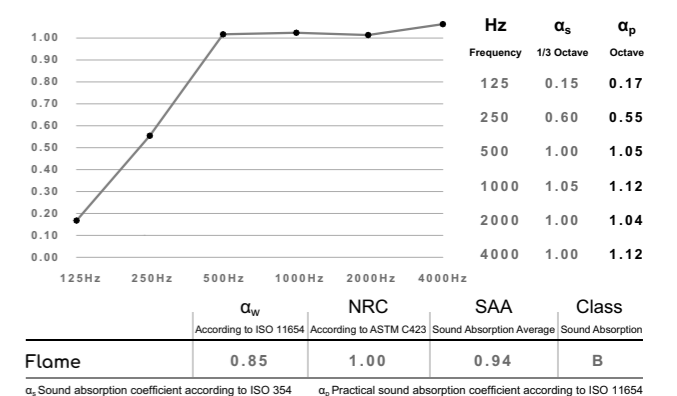
PALETTE SIZE & CONTENT



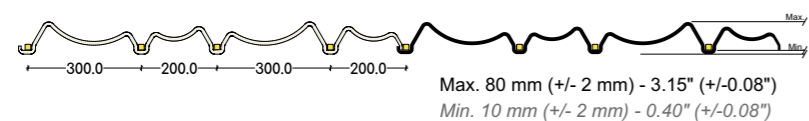
W: 2720 mm D: 800 mm H: 1200 mm
W: 107.08\" D: 31.5\" H: 47.24\"

6 Pcs. Box
Gross Weight
120 kg
265 lbs

ACOUSTIC PERFORMANCE



1000mm x 2700mm x 80mm



Product Code / Description	Box Qty / m ²	Felt Color Palettes	
FLL-60MKN - Inherent (Lighting with Montage Kit) LED, Aluminium body Control Options: External Driver, ON/OFF, DALI, PushDim, Bluetooth CRI>80 or CRI>90 Color Temperature: 2700 K, 3000 K, 4000 K Diffuser Options: Opal	2 / 5.40 m ² Luminaire 4pcs. 12W / 720 lm L:2700mm		
FLL-60MKS - Solid Core (Lighting with Montage Kit) LED, Aluminium body Control Options: External Driver, ON/OFF, DALI, PushDim, Bluetooth CRI>80 or CRI>90 Color Temperature: 2700 K, 3000 K, 4000 K Diffuser Options: Opal	2 / 5.40 m ² Luminaire 4pcs. 12W / 720 lm L:2700mm		

1000mm x 2700mm x 80mm



APPLICATION
Wall & Ceiling - Indoor use only

MATERIAL
Mechanical needled punch industrial felt.
100% PET up to 60%
Recycled content &
Recyclable

THICKNESS

Max. 80 mm (+/- 2 mm) - 3.15" (+/-0.08")
 Min. 10 mm (+/- 2 mm) - 0.40" (+/-0.08")

FIRE RATING
A Class (ASTM E84) - B s1 d0 (EN 13501-1)

THERMAL INSULATION
0,035 W/mK

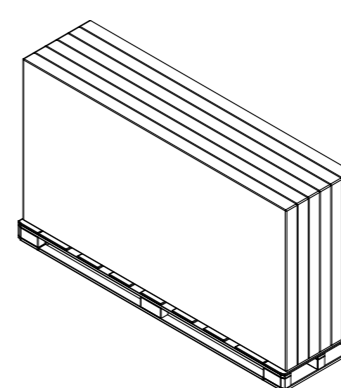
WEIGHT
1 tile: 6800 gr. +/- 10% tolerance
1 tile: 15 lbs with +/- 10% tolerance

BOX SIZE & CONTENT
W: 1020 mm D: 2720 mm H: 120 mm
W: 40.16" D: 107.08" H: 4.73"

1 Box: 2 x panels
1 Box: 5.40 m²
1 Box: 58.125 ft²

1 Color of choice per package
Gross weight: 16 kg
Gross weight: 35.3 lbs

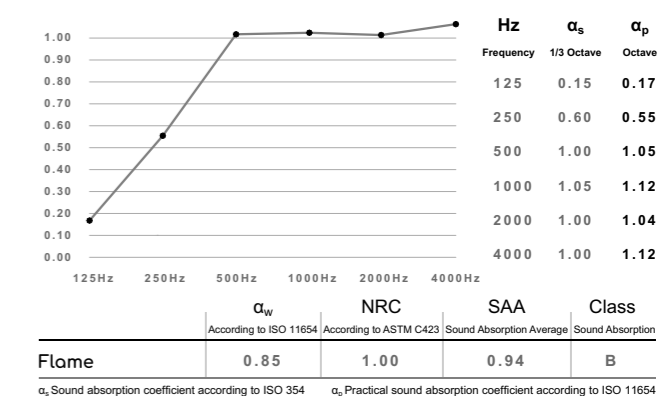
PALETTE SIZE & CONTENT



W: 2720 mm D: 800 mm H: 1200 mm
 W: 107.08" D: 31.5" H: 47.24"

6 Pcs. Box
Gross Weight
 120 kg
 265 lbs

ACOUSTIC PERFORMANCE





ACOUSTERA

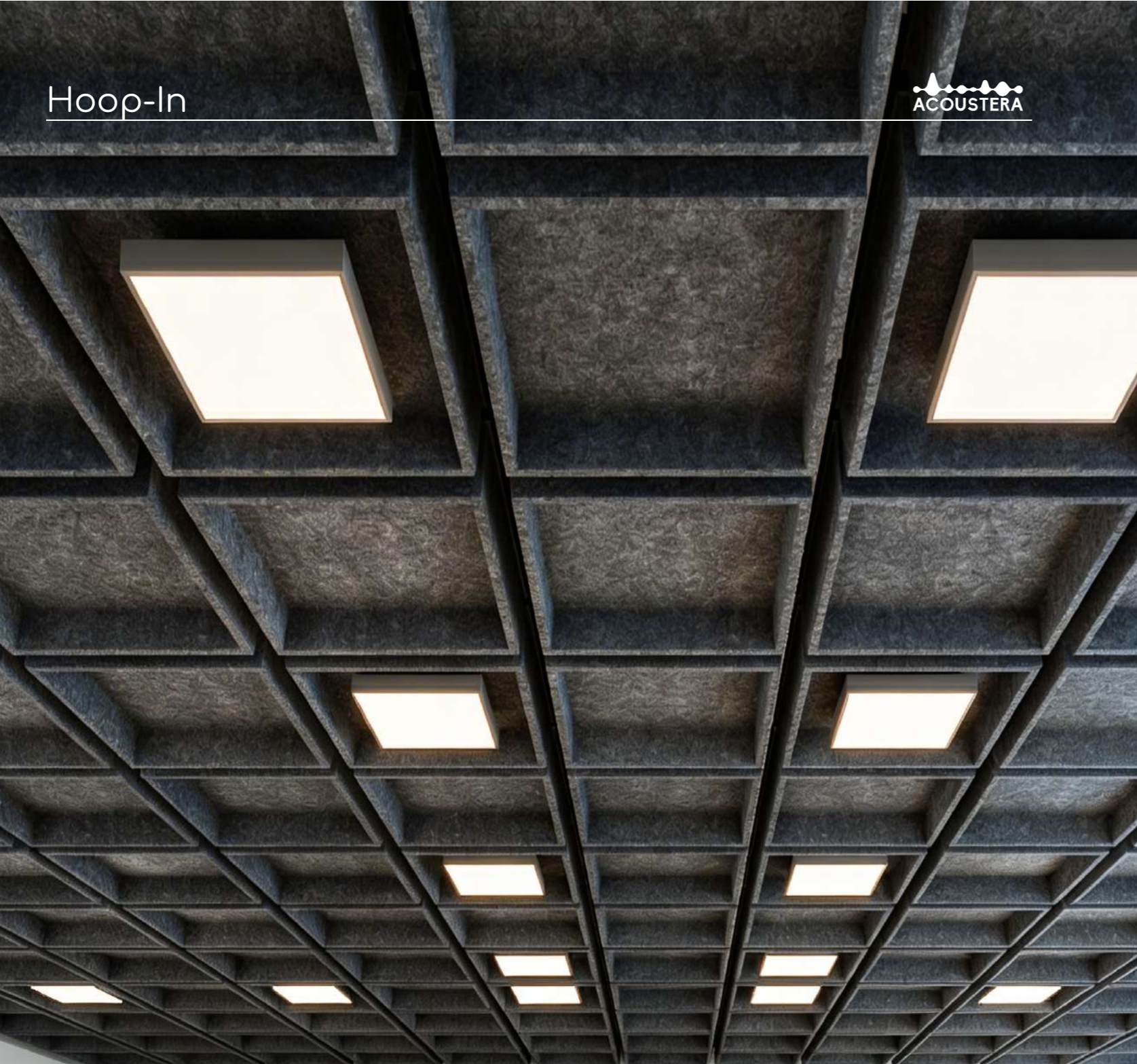
Hoop-In

Our Lay-In panels seamlessly integrate into your existing T15 or T24 suspended ceiling grid systems.

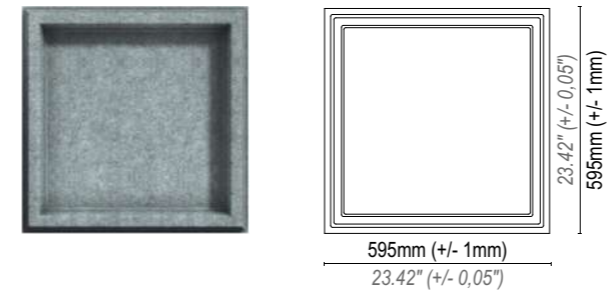
With no need for specialized installation, these panels offer a simple way to introduce design innovation to your familiar space while addressing reverberation issues.

Alternatively, you can start your projects from scratch using this universally compatible suspended ceiling carrier system, which is both easy to use and cost-effective.

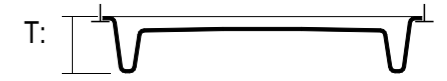




595mm x 595mm x 105mm



THICKNESS
T: 105mm (+/- 1mm) 4.13\"/>



Product Code / Description	Box Qty / m ²	Felt Color Palettes	Recomm. Mounting
HPN-20LYN - Inherent (Panel Only)	12 / 4.248 m ²		Existing T-Grid T15 or T24
HPN-20LYS - Solid Core (Panel Only)	12 / 4.248 m ²		Step 1: Positioning Step 2: Mounting

APPLICATION

3D molded ceiling panel
Suitable for "T15" & "T24",
suspended ceiling carrier systems
Only panels are included

MATERIAL

Mechanical needled punch industrial felt.
100% PET up to 60% Recycled content & Recyclable

FIRE RATING

A Class (ASTM E84) - B s1 d0 (EN 13501-1)

THERMAL INSULATION

0,035 W/mK

WEIGHT

1 tile: 600 gr. +/- 10% tolerance
1 tile: 1.32 lbs with +/- 10% tolerance

BOX SIZE & CONTENT

W: 620 mm D: 660 mm H: 190 mm
W: 24.5" D: 26" H: 7.5"

1 Box: 6 x panels

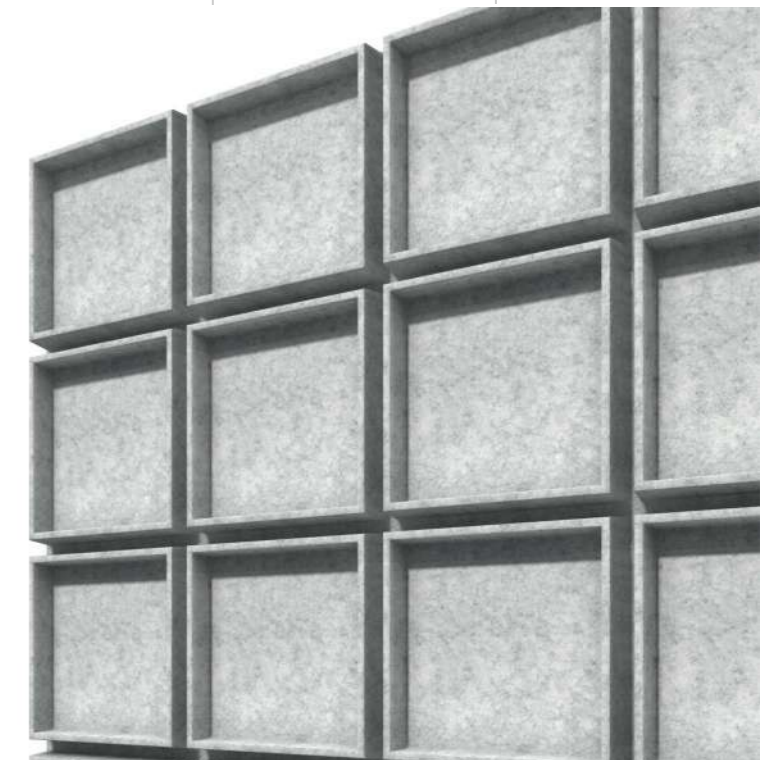
1 Box: 2.124 m²

1 Box: 22.86 ft²

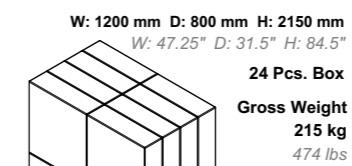
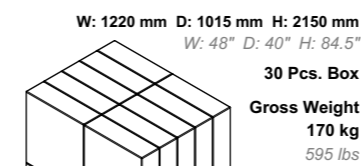
1 Color of choice per package

Gross weight: 5 kg

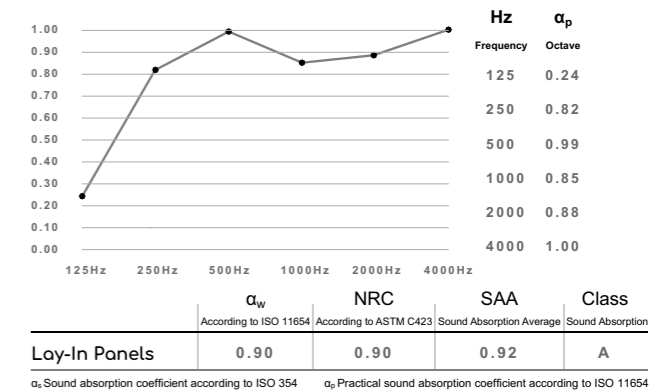
Gross weight: 11 lbs



PALETTE SIZE & CONTENT



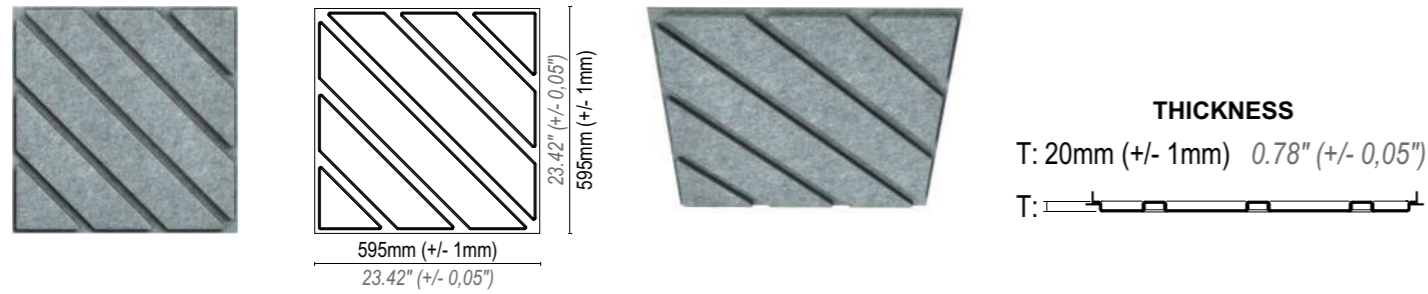
ACOUSTIC PERFORMANCE



Cross Lay-In Sound-Absorbing Ceiling & Wall Panel



595mm x 595mm x 40mm



Product Code / Description	Box Qty / m ²	Felt Color Palettes	Recomm. Mounting
CRS-20LYN - Inherent (Panel Only)	12 / 4.248 m ²		Existing T-Grid T15 or T24
CRS-20LYS - Solid Core (Panel Only)	12 / 4.248 m ²		Step 1: Positioning Step 2: Mounting

APPLICATION
3D molded ceiling panel
Suitable for "T15" & "T24",
suspended ceiling carrier systems
Only panels are included

MATERIAL
Mechanical needled punch industrial felt.
100% PET up to 60% Recycled content & Recyclable

Smooth Surface - Impact Resistance - Flexible

FIRE RATING
A Class (ASTM E84) - B s1 d0 (EN 13501-1)

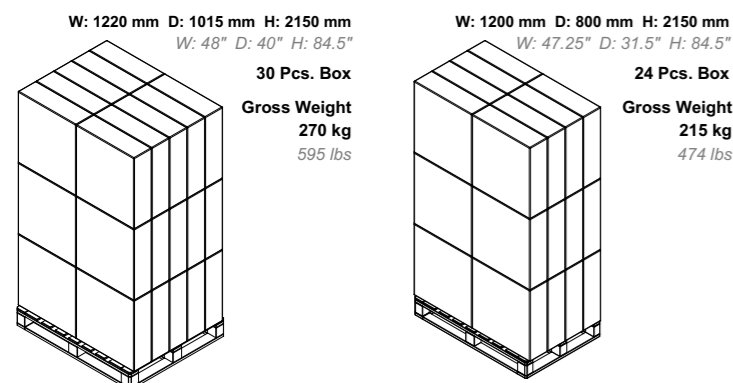
THERMAL INSULATION
0,035 W/mK

WEIGHT
1 tile: 600 gr. +/- 10% tolerance
1 tile: 1.32 lbs with +/- 10% tolerance

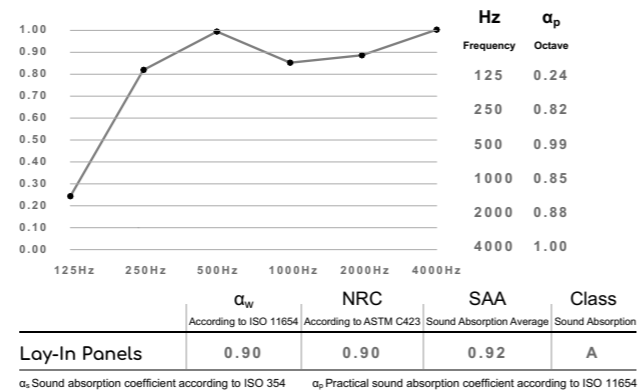
BOX SIZE & CONTENT
W: 620 mm D: 660 mm H: 190 mm
W: 24.5" D: 26" H: 7.5"
1 Box: 12 x panels
1 Box: 4.248 m²
1 Box: 45.725 ft²
1 Color of choice per package
Gross weight: 8.3 kg
Gross weight: 18.3 lbs



PALETTE SIZE & CONTENT



ACOUSTIC PERFORMANCE



CTRL-N Sound-Absorbing Ceiling & Wall Panel



595mm x 595mm x 40mm



Product Code / Description	Box Qty / m ²	Felt Color Palettes	Recomm. Mounting
CRL-20LYN - Inherent (Panel Only)	12 / 4.248 m ²		Existing T-Grid T15 or T24
CRL-20LYS - Solid Core (Panel Only)	12 / 4.248 m ²		Step 1: Positioning Step 2: Mounting

APPLICATION
3D molded ceiling panel
Suitable for "T15" & "T24",
suspended ceiling carrier systems
Only panels are included

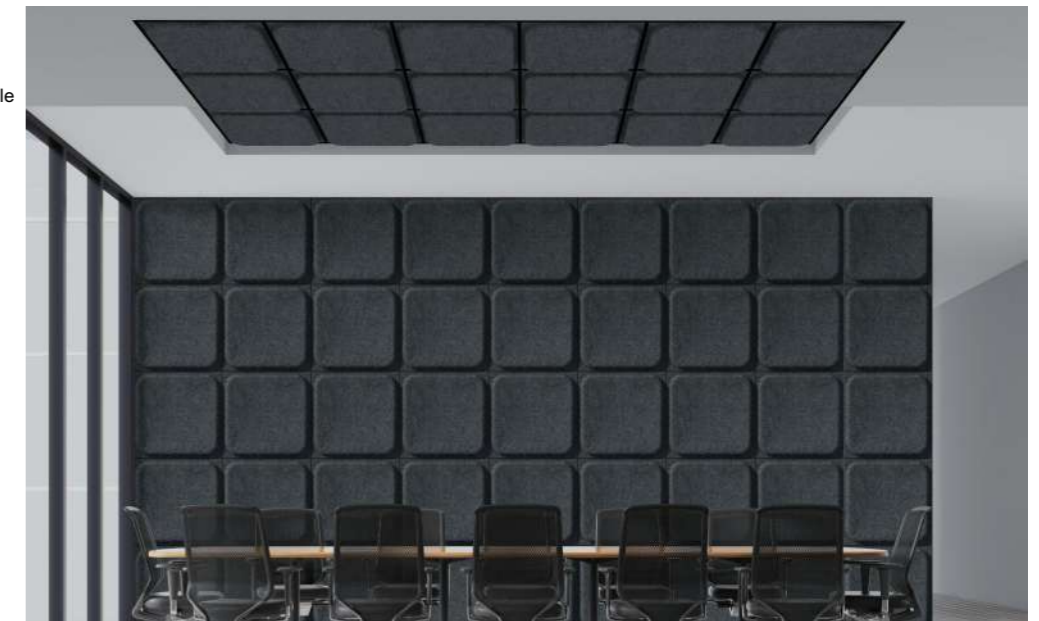
MATERIAL
Mechanical needled punch industrial felt.
100% PET up to 60% Recycled content & Recyclable

FIRE RATING
A Class (ASTM E84) - B s1 d0 (EN 13501-1)

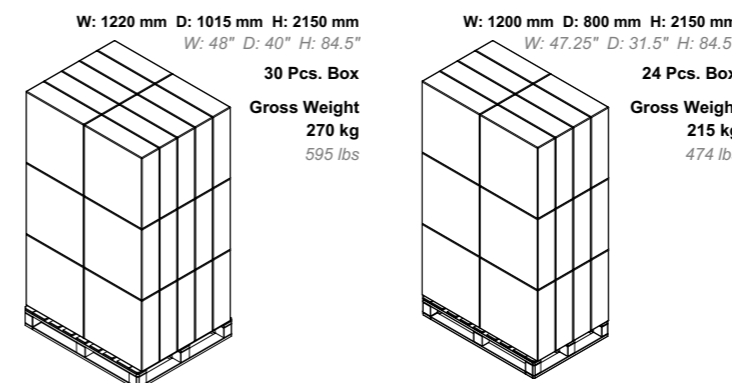
THERMAL INSULATION
0,035 W/mK

WEIGHT
1 tile: 600 gr. +/- 10% tolerance
1 tile: 1.32 lbs with +/- 10% tolerance

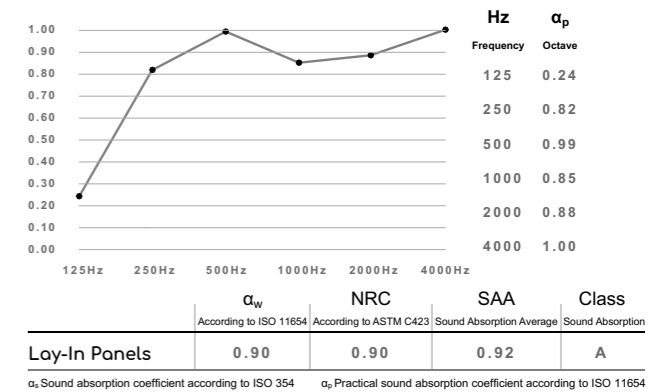
BOX SIZE & CONTENT
W: 620 mm D: 660 mm H: 190 mm
W: 24.5" D: 26" H: 7.5"
1 Box: 12 x panels
1 Box: 4.248 m²
1 Box: 45.725 ft²
1 Color of choice per package
Gross weight: 8.3 kg
Gross weight: 18.3 lbs



PALETTE SIZE & CONTENT



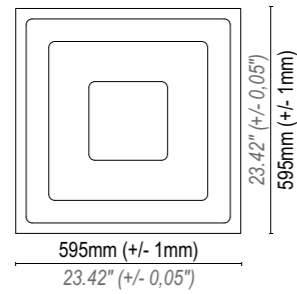
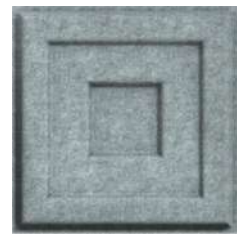
ACOUSTIC PERFORMANCE



Nest-In Sound-Absorbing Ceiling & Wall Panel



595mm x 595mm x 40mm



THICKNESS
T: 40mm (+/- 1mm) 1.57\"/>



Product Code / Description	Box Qty / m ²	Felt Color Palettes	Recomm. Mounting
NST-20LYN - Inherent (Panel Only)	12 / 4.248 m ²		Existing T-Grid T15 or T24
NST-20LYS - Solid Core (Panel Only)	12 / 4.248 m ²		Step 1: Positioning Step 2: Mounting

APPLICATION
3D molded ceiling panel
Suitable for "T15" & "T24",
suspended ceiling carrier systems
Only panels are included

MATERIAL
Mechanical needled punch industrial felt.
100% PET up to 60% Recycled content & Recyclable

FIRE RATING
A Class (ASTM E84) - B s1 d0 (EN 13501-1)

THERMAL INSULATION
0,035 W/mK

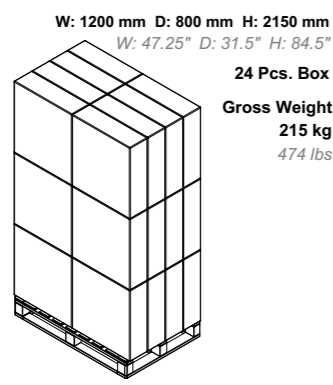
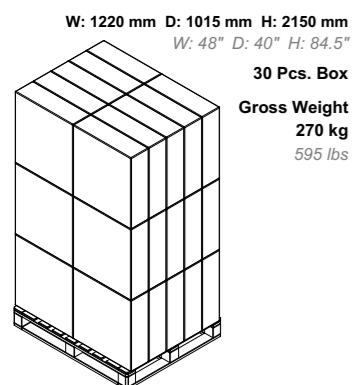
WEIGHT
1 tile: 600 gr. +/- 10% tolerance
1 tile: 1.32 lbs with +/- 10% tolerance

BOX SIZE & CONTENT
W: 620 mm D: 660 mm H: 190 mm
W: 24.5" D: 26" H: 7.5"

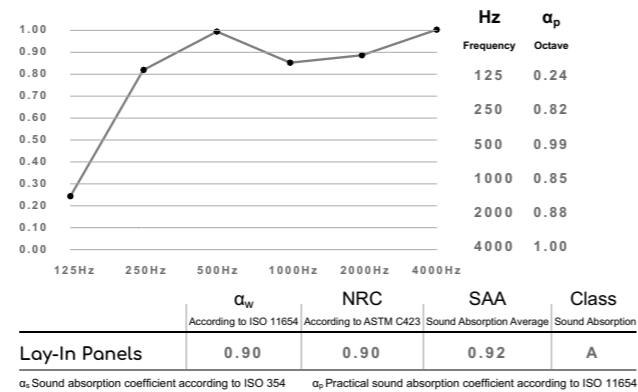
1 Box: 12 x panels
1 Box: 4.248 m²
1 Box: 45.725 ft²
1 Color of choice per package
Gross weight: 8.3 kg
Gross weight: 18.3 lbs



PALETTE SIZE & CONTENT



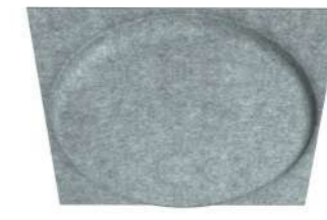
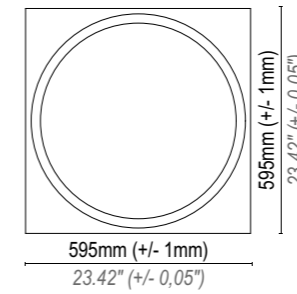
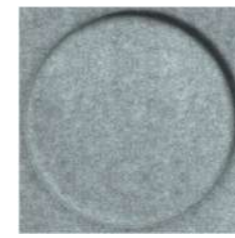
ACOUSTIC PERFORMANCE



Sonicdome Sound-Absorbing Ceiling & Wall Panel



595mm x 595mm x 40mm



THICKNESS
T: 40mm (+/- 1mm) 1.57\"/>



Product Code / Description	Box Qty / m ²	Felt Color Palettes	Recomm. Mounting
SNC-20LYN - Inherent (Panel Only)	12 / 4.248 m ²		Existing T-Grid T15 or T24
SNC-20LYS - Solid Core (Panel Only)	12 / 4.248 m ²		Step 1: Positioning Step 2: Mounting

APPLICATION
3D molded ceiling panel
Suitable for "T15" & "T24",
suspended ceiling carrier systems
Only panels are included

MATERIAL
Mechanical needled punch industrial felt.
100% PET up to 60% Recycled content & Recyclable

FIRE RATING
A Class (ASTM E84) - B s1 d0 (EN 13501-1)

THERMAL INSULATION
0,035 W/mK

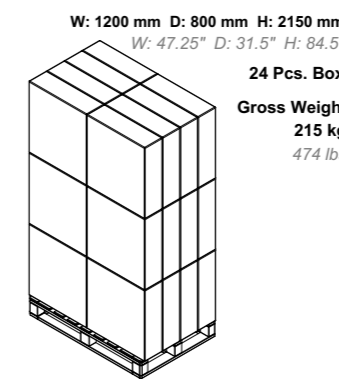
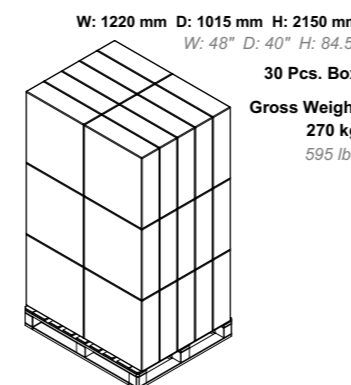
WEIGHT
1 tile: 600 gr. +/- 10% tolerance
1 tile: 1.32 lbs with +/- 10% tolerance

BOX SIZE & CONTENT
W: 620 mm D: 660 mm H: 190 mm
W: 24.5" D: 26" H: 7.5"

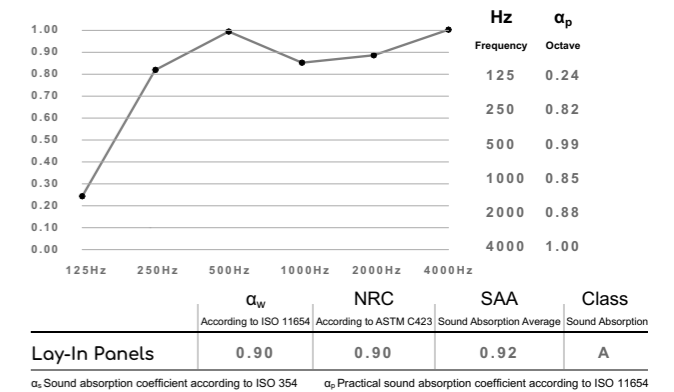
1 Box: 12 x panels
1 Box: 4.248 m²
1 Box: 45.725 ft²
1 Color of choice per package
Gross weight: 8.3 kg
Gross weight: 18.3 lbs



PALETTE SIZE & CONTENT

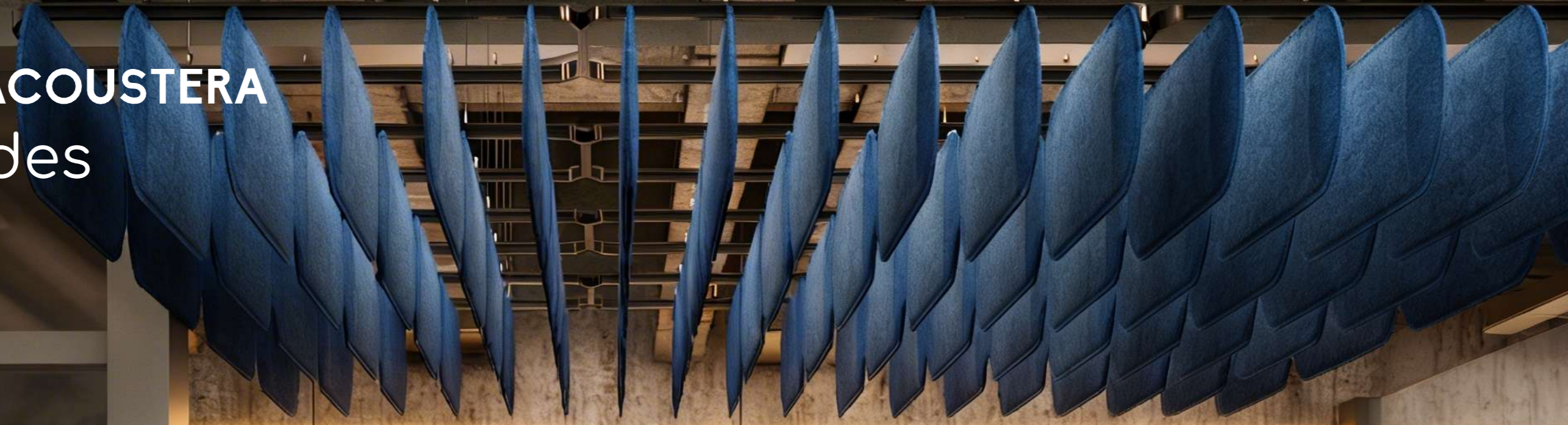


ACOUSTIC PERFORMANCE





ACOUSTERA
Sound Blades



Cutting Through Noise

'Blade' sound baffles are designed to provide superior acoustic management by effectively reducing noise and reverberation in large, open spaces.

Suspended vertically from the ceiling, these baffles are perfect for use in areas such as offices, auditoriums, and conference rooms.

With easy installation and customizable options, Blade sound baffles offer a practical and stylish solution for creating quieter, more comfortable spaces.

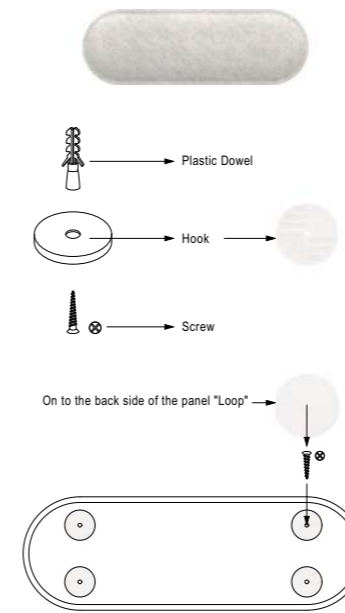


Blade Small

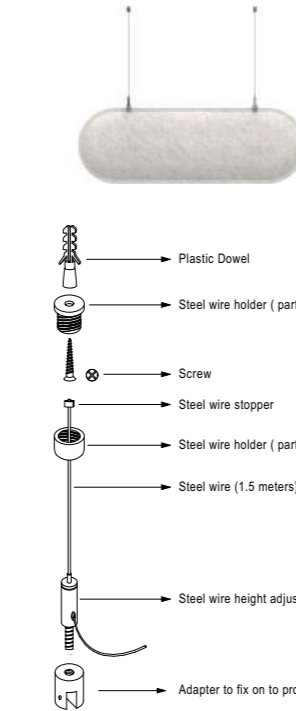
300mm x 900mm x 20mm

MOUNTING

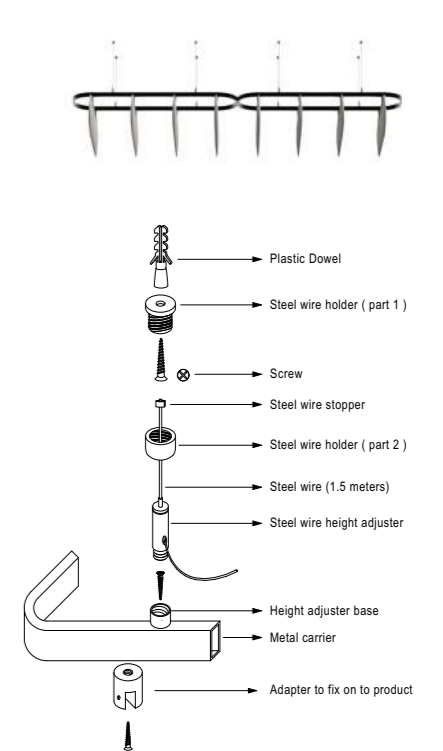
"Wall" with hook & loop 4x per unit



"Ceiling" with hanging wires 2x per unit



"Ceiling Module" with metal carrier & hanging wires



MATERIAL

Mechanical needled punch industrial felt.
100% PET up to 60% Recycled content & Recyclable
Smooth Surface - Impact Resistance - Flexible

FIRE RATING

A Class (ASTM E84) - B s1 d0 (EN 13501-1)

THERMAL INSULATION

0,035 W/mK

WEIGHT

1 tile: 630 gr. +/- 10% tolerance

1 tile: 1.39 lbs with +/- 10% tolerance

THICKNESS



Max. 20mm (+/- 2mm) - 0.78" (+/- 0.08")

Min. 5mm (+/- 2mm) - 0.19" (+/- 0.08")

BOX SIZE & CONTENT

W: 920 mm D: 920 mm H: 120 mm

W: 36.22" D: 36.22" H: 4.72"

1 Box: 12 x panels

1 Box: 3.012 m²

1 Box: 34.421 ft²

1 Color of choice per package

Gross weight: 8.0 kg

Gross weight: 17.63 lbs

PALETTE SIZE & CONTENT

W: 1220 mm D: 1015 mm H: 2150 mm

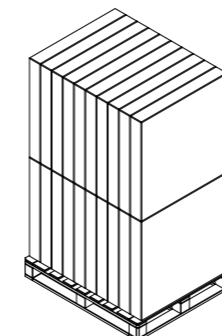
W: 48" D: 40" H: 84.5"

20 Pcs. Box

Gross Weight

180 kg

396 lbs



W: 1200 mm D: 800 mm H: 2150 mm

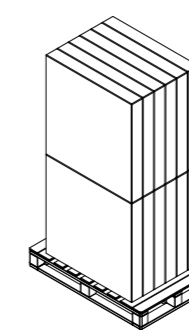
W: 47.25" D: 31.5" H: 84.5"

12 Pcs. Box

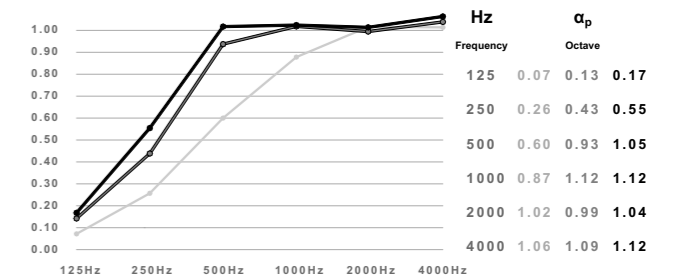
Gross Weight

115 kg

254 lbs



ACOUSTIC PERFORMANCE



	α_w	NRC	SAA	Class
Blade Small	According to ISO 11654	According to ASTM C423	Sound Absorption Average	Sound Absorption
On the surface:	0.55	0.70	0.69	D
Distance to surface: 50mm	0.70	0.90	0.88	C
Distance to surface: 100mm	0.85	1.00	0.94	B

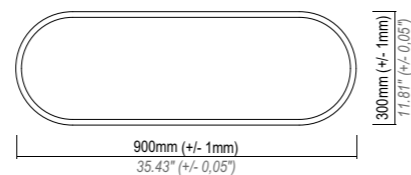
α_w Sound absorption coefficient according to ISO 354 α_p Practical sound absorption coefficient according to ISO 11654

Blade Small Sound-Absorbing Wall Panel & Ceiling Pendant

300mm x 900mm x 20mm

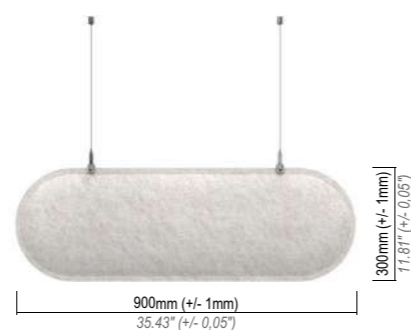


WALL



Product Code / Description	Box Qty / m ²	Felt Color Palettes	Hook & Loop (Optional)
BSW-30AAN - Inherent (Panel Only)	12 / 3.012 m ²		
BSW-30HLN - Inherent + Hook & Loop	12 / 3.012 m ²		
BSW-30AAC - Color-IT (Panel Only)	12 / 3.012 m ²		
BSW-30HLC - Color-IT + Hook & Loop	12 / 3.012 m ²		

CEILING



Product Code / Description	Box Qty / m ²	Felt Color Palettes	Hanging Set
BSH-30HSN - Inherent + Hanging Set	12 / 3.012 m ²		
BSH-30HSC - Color-IT + Hanging Set	12 / 3.012 m ²		

Blade Small Sound-Absorbing Ceiling Module

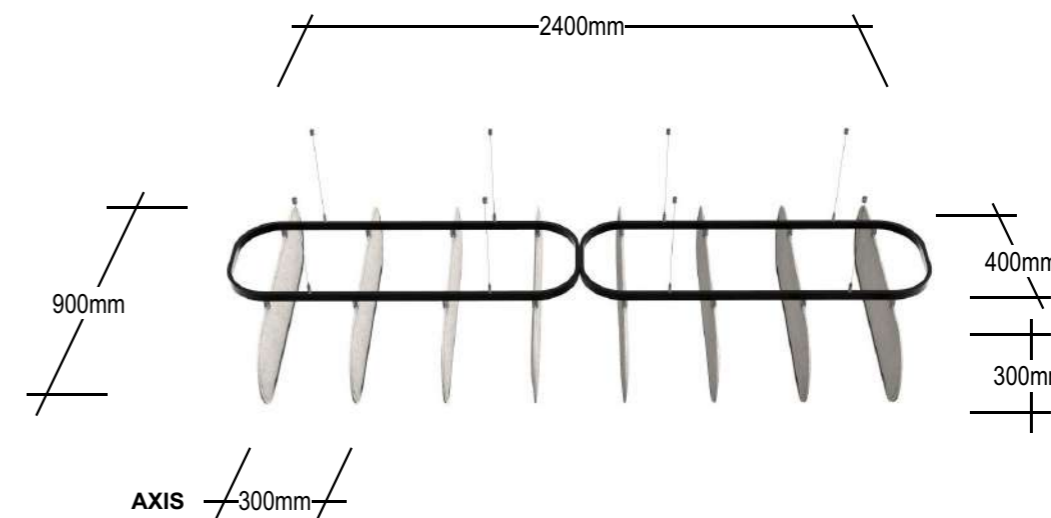
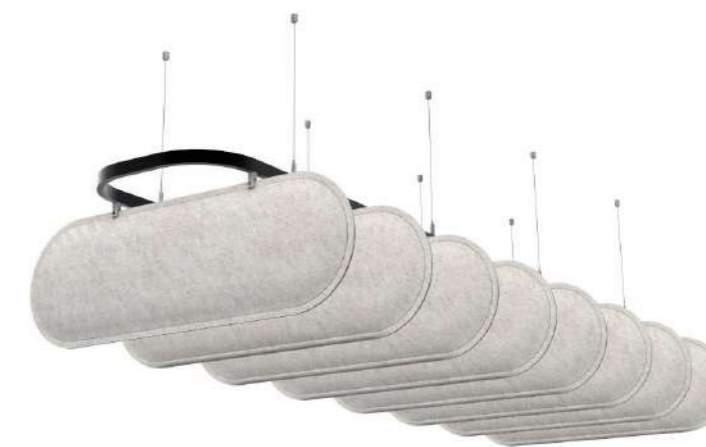
900mm x 2400mm x 350mm



CEILING MODULE

1 Set:

- 8 X Blade Small
- 8 X Hanging Set
- 2 X Metal Carrier (400mm x 1200mm)
- 4 X Metal Carrier Connector
- 16 X Metal Adapter



Product Code / Description	Box Qty / m ²	Felt Color Palettes	Carrier System & Hangers
BSM-30CSN - Inherent + Carrier Set	1 Set / 2.16 m ²		
BSM-30CSC - Color-IT + Carrier Set	1 Set / 2.16 m ²		

Cutting Through Noise

'Blade' sound baffles are designed to provide superior acoustic management by effectively reducing noise and reverberation in large, open spaces.

Suspended vertically from the ceiling, these baffles are perfect for use in areas such as offices, auditoriums, and conference rooms.

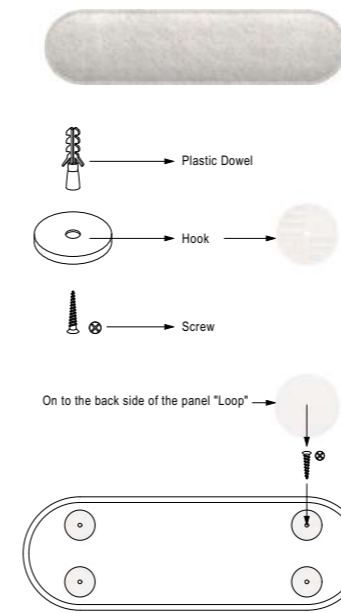
With easy installation and customizable options, Blade sound baffles offer a practical and stylish solution for creating quieter, more comfortable spaces.



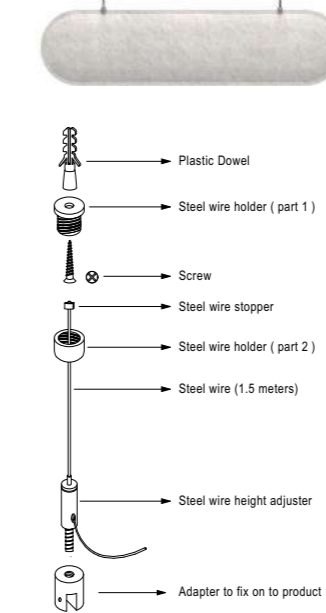
300mm x 1200mm x 20mm

MOUNTING

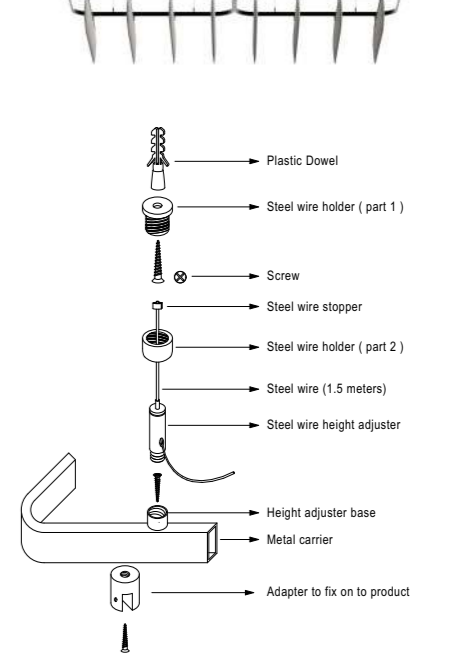
"Wall" with hook & loop 4x per unit



"Ceiling" with hanging wires 2x per unit



"Ceiling Module" with metal carrier & hanging wires



MATERIAL

Mechanical needled punch industrial felt.
100% PET up to 60% Recycled content & Recyclable

Smooth Surface - Impact Resistance - Flexible

FIRE RATING

A Class (ASTM E84) - B s1 d0 (EN 13501-1)

THERMAL INSULATION

0,035 W/mK

WEIGHT

1 tile: 850 gr. +/- 10% tolerance

1 tile: 1.88 lbs with +/- 10% tolerance

THICKNESS



Max. 20mm (+/- 2mm) - 0.78" (+/- 0.08")

Min. 5mm (+/- 2mm) - 0.19" (+/- 0.08")

BOX SIZE & CONTENT

W: 1220 mm D: 1220 mm H: 120 mm

W: 48.03" D: 48.03" H: 4.72"

1 Box: 12 x panels

1 Box: 5.45 m²

1 Box: 58.66 ft²

1 Color of choice per package

Gross weight: 12 kg

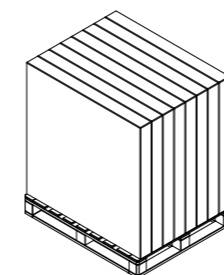
Gross weight: 26.46 lbs

PALETTE SIZE & CONTENT

W: 1220 mm D: 1015 mm H: 1400 mm
W: 48" D: 40" H: 55"

8 Pcs. Box

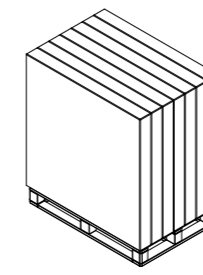
Gross Weight
120 kg
265 lbs



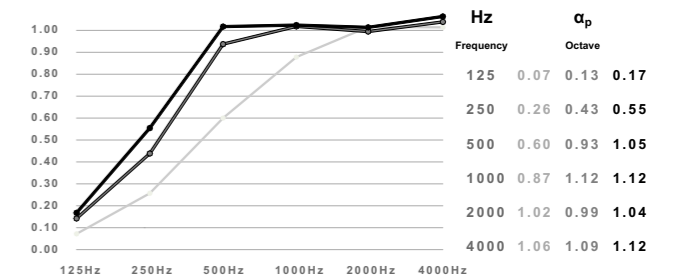
W: 1200 mm D: 800 mm H: 1400 mm
W: 47.25" D: 31.5" H: 55"

7 Pcs. Box

Gross Weight
100 kg
220 lbs



ACOUSTIC PERFORMANCE



Blade Medium	alpha_w	NRC	SAA	Class
On the surface	0.55	0.70	0.69	D
Distance to surface: 50mm	0.70	0.90	0.88	C
Distance to surface: 100mm	0.85	1.00	0.94	B

alpha_w Sound absorption coefficient according to ISO 354 alpha_p Practical sound absorption coefficient according to ISO 11654

Blade Medium Sound-Absorbing Wall Panel & Ceiling Pendant

300mm x 1200mm x 20mm

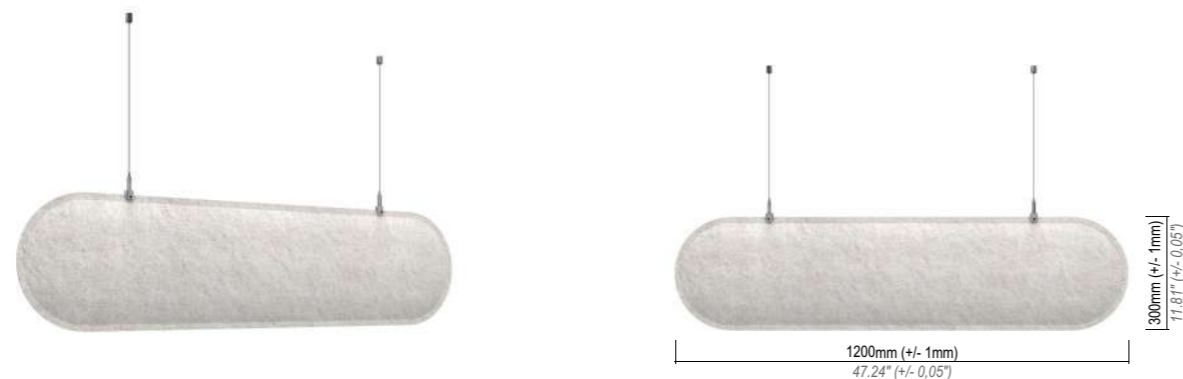


WALL



Product Code / Description	Box Qty / m ²	Felt Color Palettes	Hook & Loop (Optional)
BMW-30AAN - Inherent (Panel Only)	16 / 5.456 m ²		
BMW-30HLN - Inherent + Hook & Loop	16 / 5.456 m ²		
BMW-30AAC - Color-IT (Panel Only)	16 / 5.456 m ²		
BMW-30HLC - Color-IT + Hook & Loop	16 / 5.456 m ²		

CEILING



Product Code / Description	Box Qty / m ²	Felt Color Palettes	Hanging Set
BMH-30HSN - Inherent + Hanging Set	16 / 5.456 m ²		
BMH-30HSC - Color-IT + Hanging Set	16 / 5.456 m ²		

Blade Medium Sound-Absorbing Ceiling Module

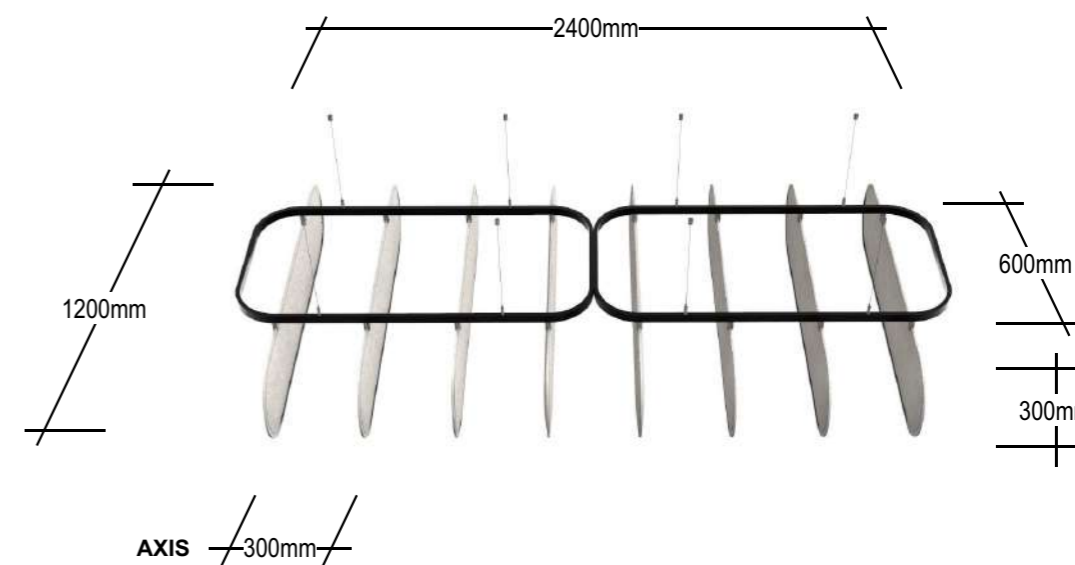
1200mm x 2400mm x 350mm



CEILING MODULE

1 Set:

- 8 X Blade Medium
- 8 X Hanging Set
- 2 X Metal Carrier (600mm x 1200mm)
- 4 X Metal Carrier Connector
- 16 X Metal Adapter



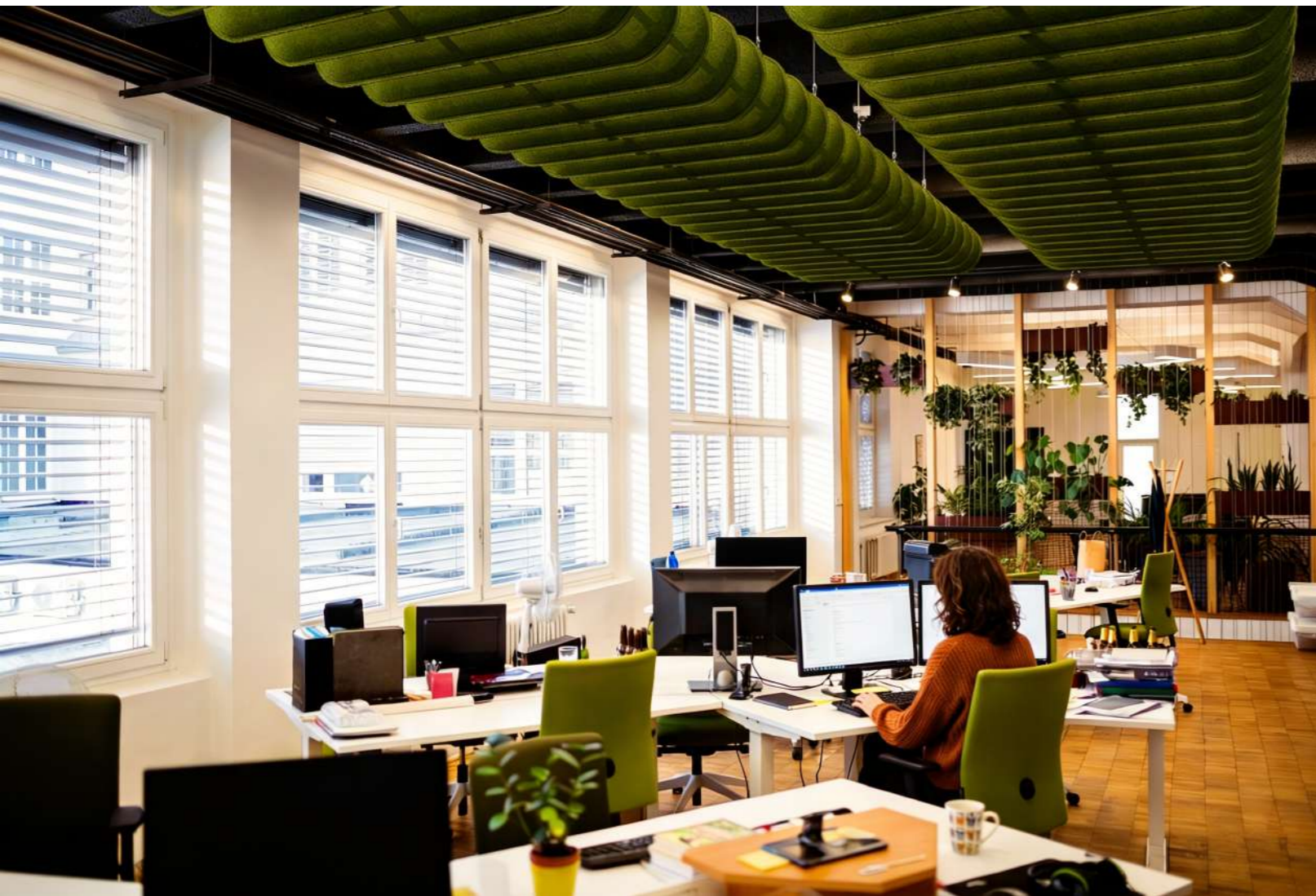
Product Code / Description	Box Qty / m ²	Felt Color Palettes	Carrier System & Hangers
BMM-30CSN - Inherent + Carrier Set	1 Set / 2.88 m ²		
BMM-30CSC - Color-IT + Carrier Set	1 Set / 2.88 m ²		

Cutting Through Noise

'Blade' sound baffles are designed to provide superior acoustic management by effectively reducing noise and reverberation in large, open spaces.

Suspended vertically from the ceiling, these baffles are perfect for use in areas such as offices, auditoriums, and conference rooms.

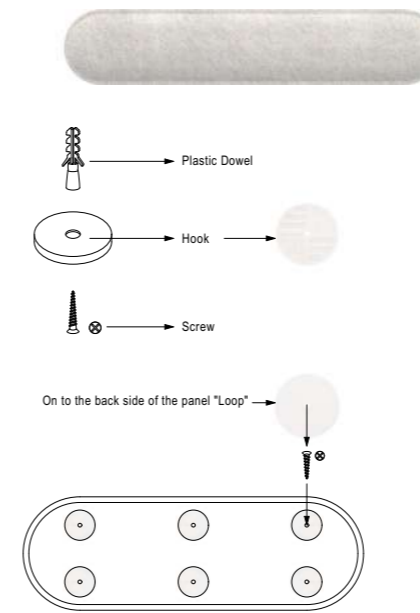
With easy installation and customizable options, Blade sound baffles offer a practical and stylish solution for creating quieter, more comfortable spaces.



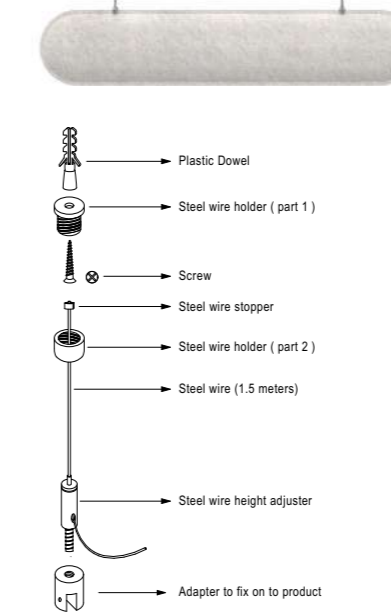
300mm x 1500mm x 20mm

MOUNTING

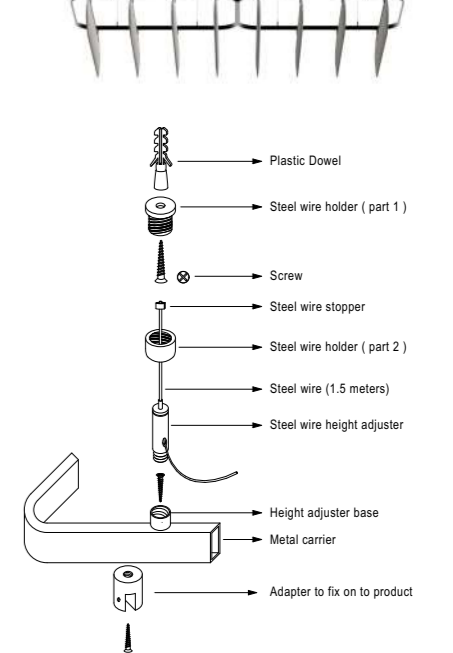
"Wall" with hook & loop 6x per unit



"Ceiling" with hanging wires 2x per unit



"Ceiling Module" with metal carrier & hanging wires



MATERIAL

Mechanical needled punch industrial felt.
100% PET up to 60% Recycled content & Recyclable
Smooth Surface - Impact Resistance - Flexible

FIRE RATING

A Class (ASTM E84) - B s1 d0 (EN 13501-1)

THERMAL INSULATION

0,035 W/mK

WEIGHT

1 tile: 1050 gr. +/- 10% tolerance
1 tile: 2.31 lbs with +/- 10% tolerance

THICKNESS

Max. 20mm (+/- 2mm) - 0.78" (+/- 0.08")
Min. 5mm (+/- 2mm) - 0.19" (+/- 0.08")

BOX SIZE & CONTENT

W: 1220 mm D: 1520 mm H: 120 mm
W: 48.03" D: 59.84" H: 4.72"

1 Box: 12 x panels

1 Box: 5.172 m²

1 Box: 55.671 ft²

1 Color of choice per package

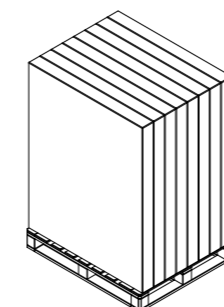
Gross weight: 15 kg

Gross weight: 33.07 lbs



PALETTE SIZE & CONTENT

W: 1220 mm D: 1015 mm H: 1700 mm
W: 48" D: 40" H: 67"



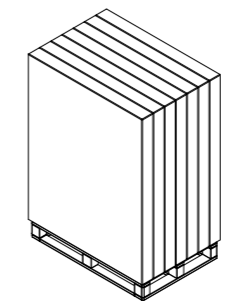
8 Pcs. Box

Gross Weight

140 kg

308 lbs

W: 1200 mm D: 800 mm H: 1700 mm
W: 47.25" D: 31.5" H: 67"



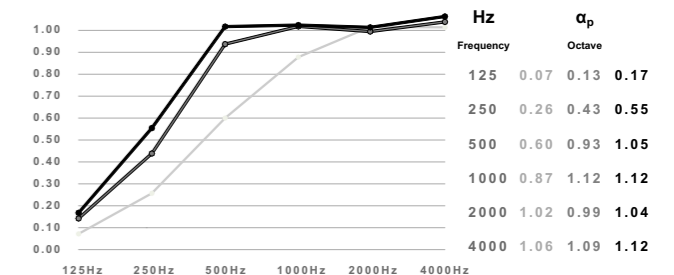
7 Pcs. Box

Gross Weight

120 kg

264 lbs

ACOUSTIC PERFORMANCE



	α_w	NRC	SAA	Class
Blade Large	According to ISO 11654	According to ASTM C423	Sound Absorption Average	Sound Absorption
On the surface	0.55	0.70	0.69	D
Distance to surface: 50mm	0.70	0.90	0.88	C
Distance to surface: 100mm	0.85	1.00	0.94	B

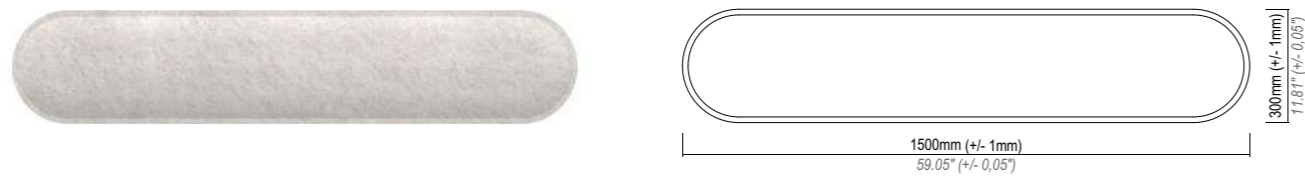
α_w Sound absorption coefficient according to ISO 354 α_p Practical sound absorption coefficient according to ISO 11654

Blade Large Sound-Absorbing Wall Panel & Ceiling Pendant

300mm x 1500mm x 20mm



WALL



Product Code / Description	Box Qty / m ²	Felt Color Palettes	Hook & Loop (Optional)
BLW-40AAN - Inherent (Panel Only)	12 / 5.172 m ²		
BLW-40HLN - Inherent + Hook & Loop	12 / 5.172 m ²		
BLW-40AAC - Color-IT (Panel Only)	12 / 5.172 m ²		
BLW-40HLC - Color-IT + Hook & Loop	12 / 5.172 m ²		

CEILING



Product Code / Description	Box Qty / m ²	Felt Color Palettes	Hanging Set
BLH-40HSN - Inherent + Hanging Set	12 / 5.172 m ²		
BLH-40HSC - Color-IT + Hanging Set	12 / 5.172 m ²		

Blade Large Sound-Absorbing Ceiling Module

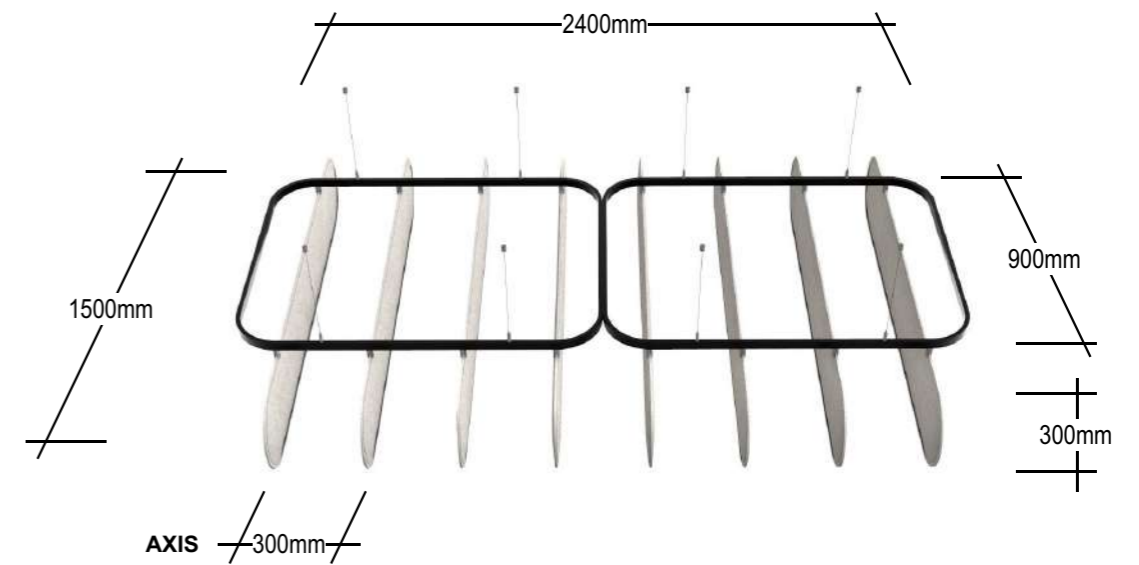
1500mm x 2400mm x 350mm



CEILING MODULE

1 Set:

- 8 X Blade Large
- 8 X Hanging Set
- 2 X Metal Carrier (900mm x 1200mm)
- 4 X Metal Carrier Connector
- 16 X Metal Adapter



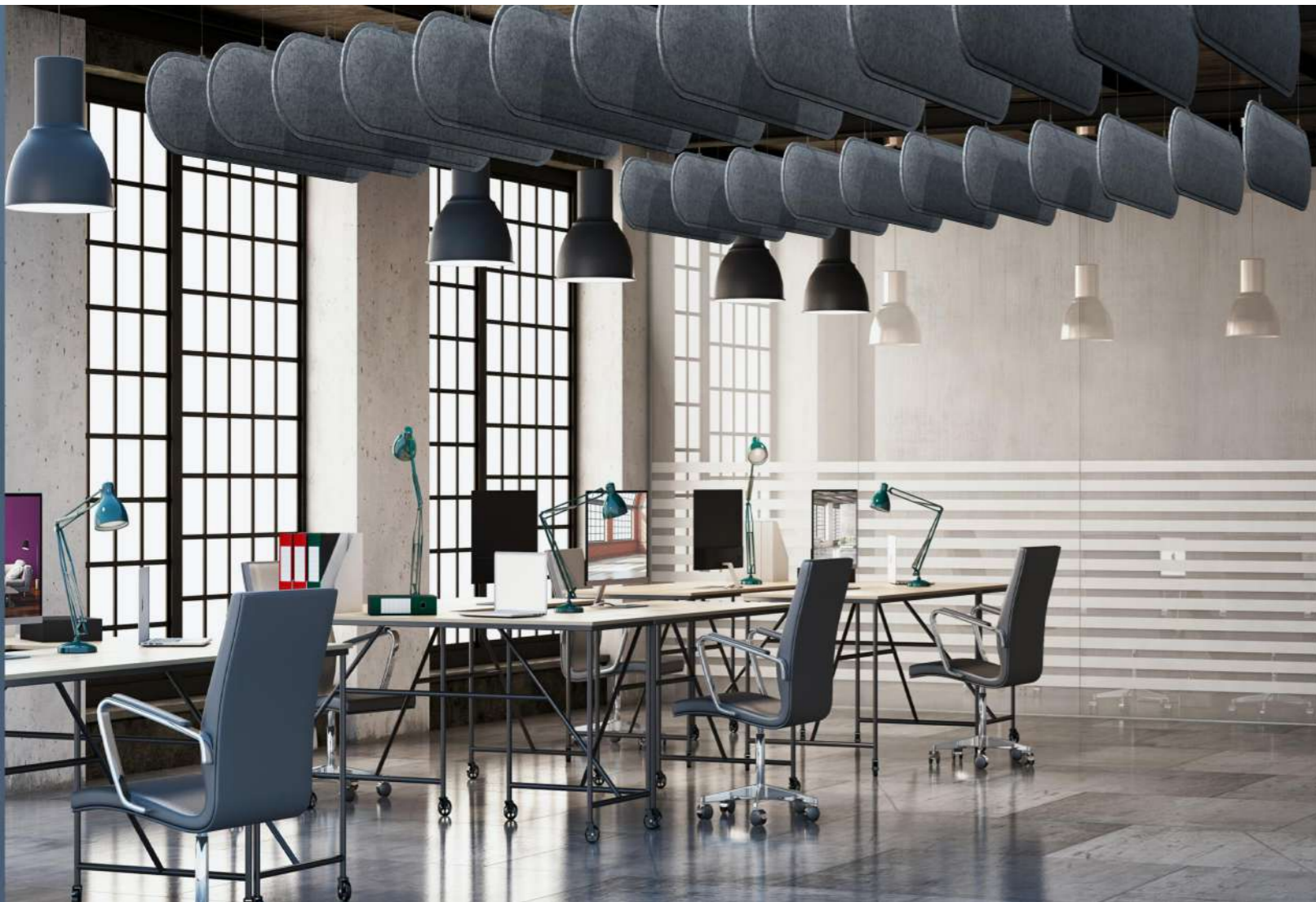
Product Code / Description	Box Qty / m ²	Felt Color Palettes	Carrier System & Hangers
BLM-40CSN - Inherent + Carrier Set	1 Set / 3.60 m ²		
BLM-40CSC - Color-IT + Carrier Set	1 Set / 3.60 m ²		

Cutting Through Noise

'Blade' sound baffles are designed to provide superior acoustic management by effectively reducing noise and reverberation in large, open spaces.

Suspended vertically from the ceiling, these baffles are perfect for use in areas such as offices, auditoriums, and conference rooms.

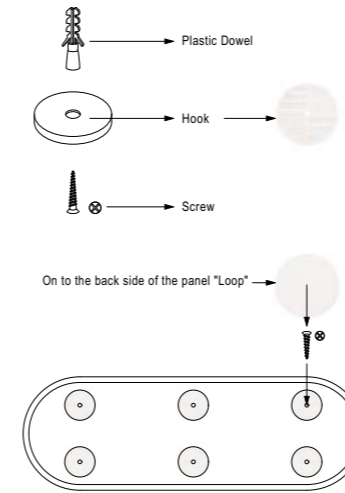
With easy installation and customizable options, Blade sound baffles offer a practical and stylish solution for creating quieter, more comfortable spaces.



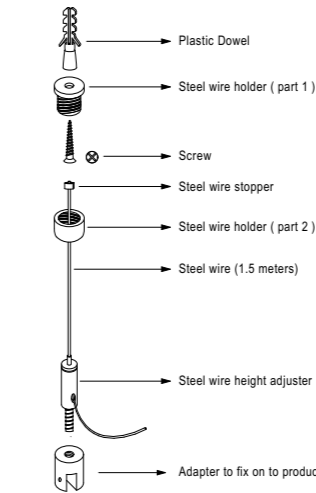
300mm x 1800mm x 20mm

MOUNTING

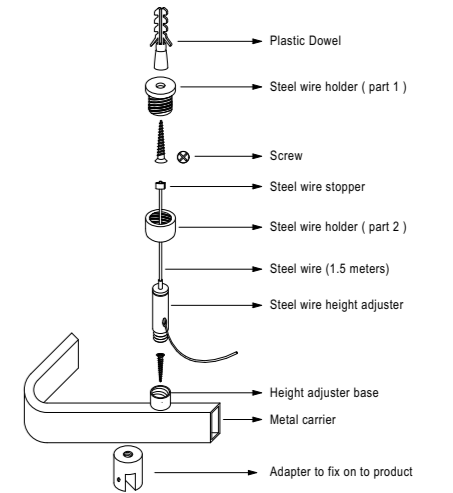
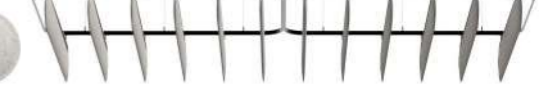
"Wall" with hook & loop 6x per unit



"Ceiling" with hanging wires 2x per unit



"Ceiling Module" with metal carrier & hanging wires



MATERIAL

Mechanical needled punch industrial felt.
100% PET up to 60% Recycled content & Recyclable
Smooth Surface - Impact Resistance - Flexible

FIRE RATING

A Class (ASTM E84) - B s1 d0 (EN 13501-1)

THERMAL INSULATION

0,035 W/mK

WEIGHT

1 tile: 1300 gr. +/- 10% tolerance

1 tile: 2.86 lbs with +/- 10% tolerance

THICKNESS

Max. 20mm (+/- 2mm) - 0.78" (+/-0.08")

Min. 5mm (+/- 2mm) - 0.19" (+/-0.08")

Min. 5mm (+/- 2mm) - 0.19" (+/-0.08")

Min. 5mm (+/- 2mm) - 0.19" (+/-0.08")

BOX SIZE & CONTENT

W: 1220 mm D: 1820 mm H: 120 mm

W: 48.03" D: 71.65" H: 4.72"

1 Box: 12 x panels

1 Box: 6.252 m²

1 Box: 67.296 ft²

1 Color of choice per package

Gross weight: 18 kg

Gross weight: 39.68 lbs

PALETTE SIZE & CONTENT

W: 1220 mm D: 1015 mm H: 2060 mm

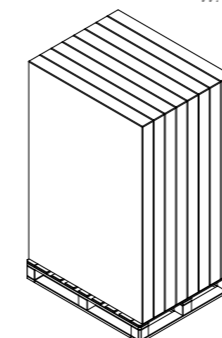
W: 48" D: 40" H: 79"

8 Pcs. Box

Gross Weight

164 kg

362 lbs



W: 1200 mm D: 800 mm H: 2060 mm

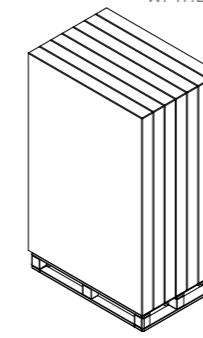
W: 47.25" D: 31.5" H: 79"

7 Pcs. Box

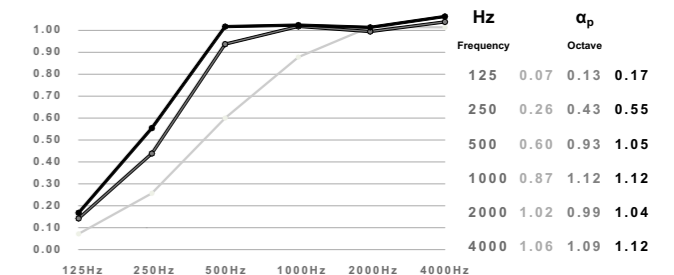
Gross Weight

141 kg

310 lbs



ACOUSTIC PERFORMANCE



	α_w	NRC	SAA	Class
Blade X Large	0.55	0.70	0.69	D
On the surface	0.70	0.90	0.88	C
Distance to surface: 50mm	0.85	1.00	0.94	B
Distance to surface: 100mm				

α_w Sound absorption coefficient according to ISO 354 α_p Practical sound absorption coefficient according to ISO 11654

Blade X Large Sound-Absorbing Wall Panel & Ceiling Pendant

300mm x 1800mm x 20mm

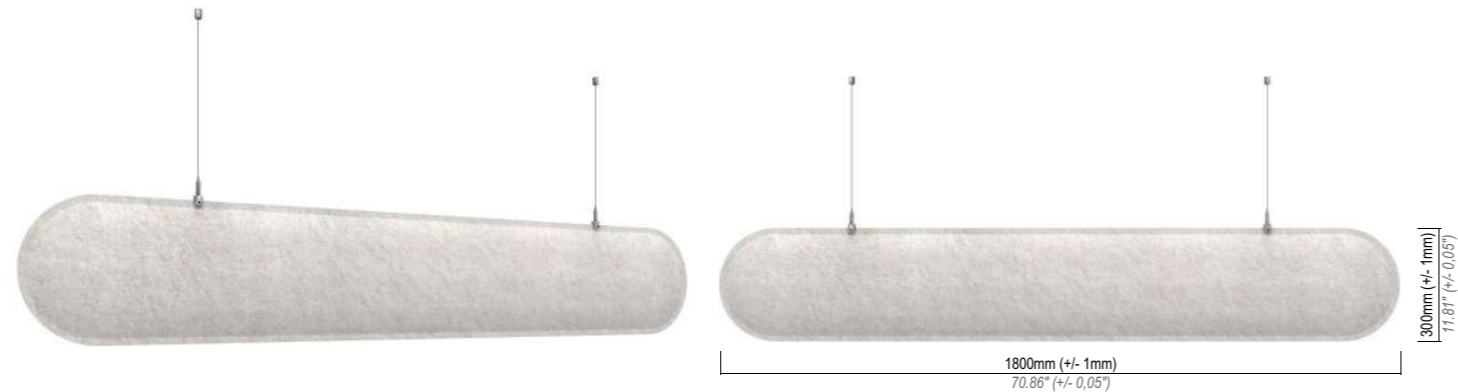


WALL



Product Code / Description	Box Qty / m ²	Felt Color Palettes	Hook & Loop (Optional)
BXW-30AAN - Inherent (Panel Only)	12 / 6.252 m ²		
BXW-30HLN - Inherent + Hook & Loop	12 / 6.252 m ²		
BXW-30AAC - Color-IT (Panel Only)	12 / 6.252 m ²		
BXW-30HLC - Color-IT + Hook & Loop	12 / 6.252 m ²		

CEILING



Product Code / Description	Box Qty / m ²	Felt Color Palettes	Hanging Set
BXH-30HSN - Inherent + Hanging Set	12 / 6.252 m ²		
BXH-30HSC - Color-IT + Hanging Set	12 / 6.252 m ²		

Blade X Large Sound-Absorbing Ceiling Module

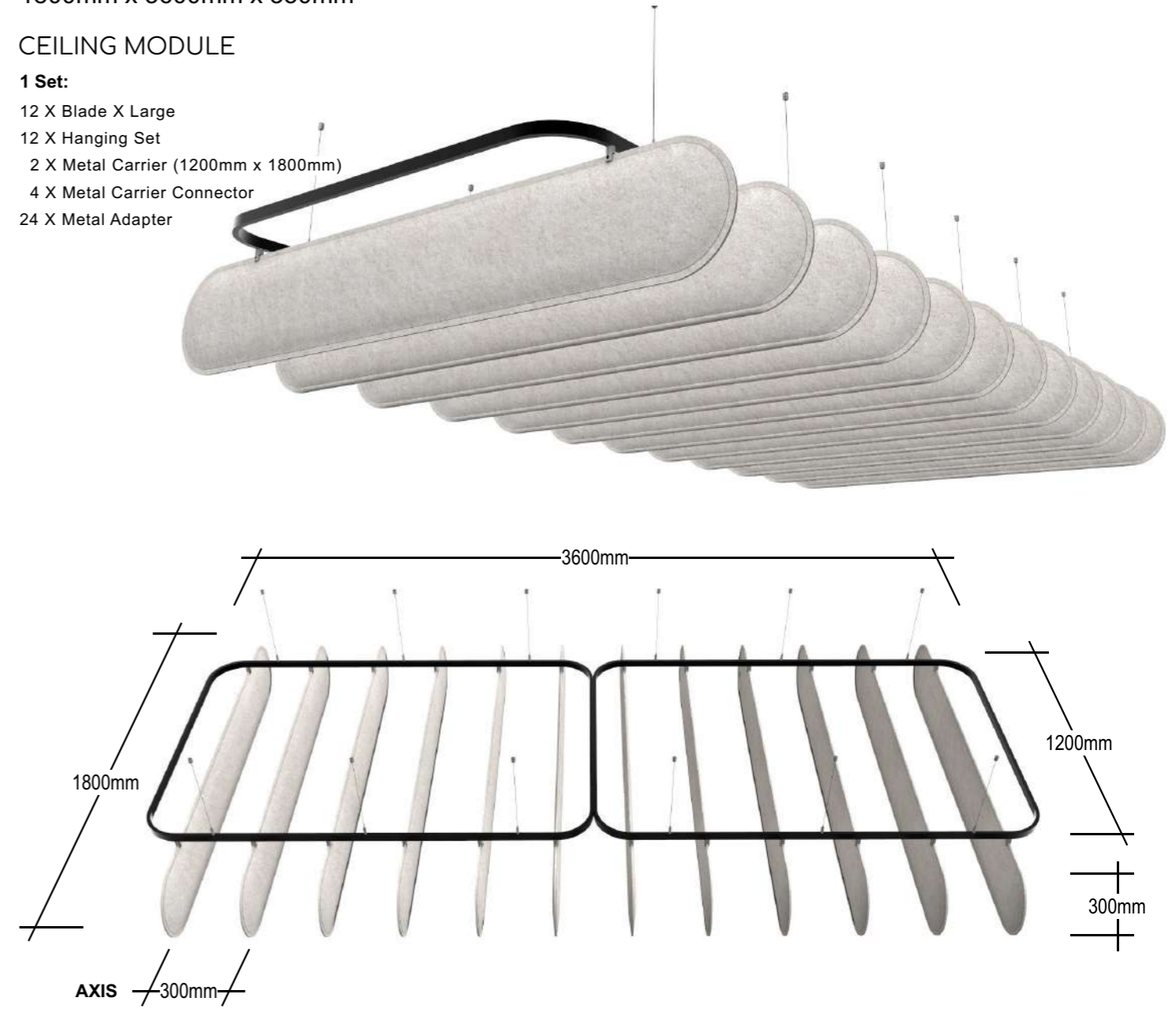
1800mm x 3600mm x 350mm



CEILING MODULE

1 Set:

- 12 X Blade X Large
- 12 X Hanging Set
- 2 X Metal Carrier (1200mm x 1800mm)
- 4 X Metal Carrier Connector
- 24 X Metal Adapter



Product Code / Description	Box Qty / m ²	Felt Color Palettes	Carrier System & Hangers
BXM-30CSN - Inherent + Carrier Set	1 Set / 6.48 m ²		
BXM-30CSC - Color-IT + Carrier Set	1 Set / 6.48 m ²		

ACOUSTERA Blade Dividers



Blade Divider Modular Sound-Absorbing Divider



Sculpting Privacy in Open Spaces

The Blade Divider series serves as a sophisticated architectural solution for defining zones without compromising the flow of an open environment.

Engineered from 100% polyester industrial high-density PET felt, these acoustic fins are precision crafted to "slice" through echoing sound waves, effectively mitigating reverberation while providing a delicate balance of visual privacy.

By leveraging the modular height system available in 60cm, 90cm, 120cm, 150cm & 180cm increment you can effortlessly achieve perfect vertical alignment and create a uniform horizon across any interior space.

Whether these dividers are suspended as a ceiling-to-floor fixed installation to create a permanent, grounded architectural statement, or utilized with adjustable cable suspension for agile workspace configurations, they provide unparalleled creative freedom.

Ultimately, Blade Dividers empower you to tailor the specific privacy and acoustic needs of any space, ensuring modular configuration feels intentional, secure, & architecturally sound.



Modular Scalability

The Blade Divider series is engineered with a modular height system available in 60cm, 90cm, 120cm, 150cm & 180cm increments designed for perfect vertical alignment.

This mathematical precision allows for seamless creative freedom; you can effortlessly "stack" or align different units to achieve a uniform horizon.

Whether pairing two 90cm blades to match a 180cm statement piece, or combining 120cm and 60cm units to create a staggered rhythmic flow, the dimensions are calculated to ensure every configuration feels intentional and architecturally sound.



Scalable System

Modular design for vertical configuration at any height.



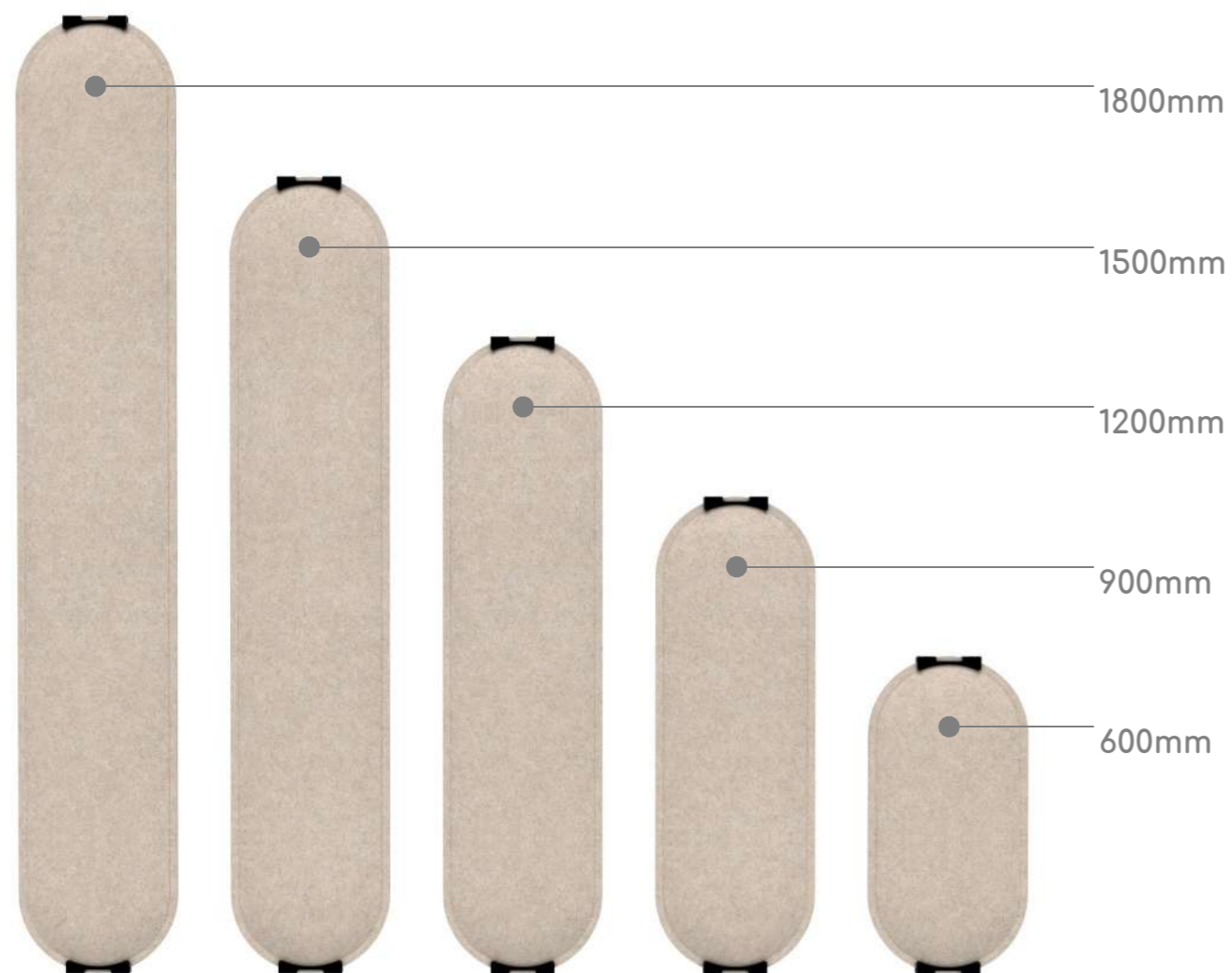
Secure Connections

Standardized connection points ensure seamless stacking.



Fixed Installations

Optional ceiling mounts for permanent, stable placement.

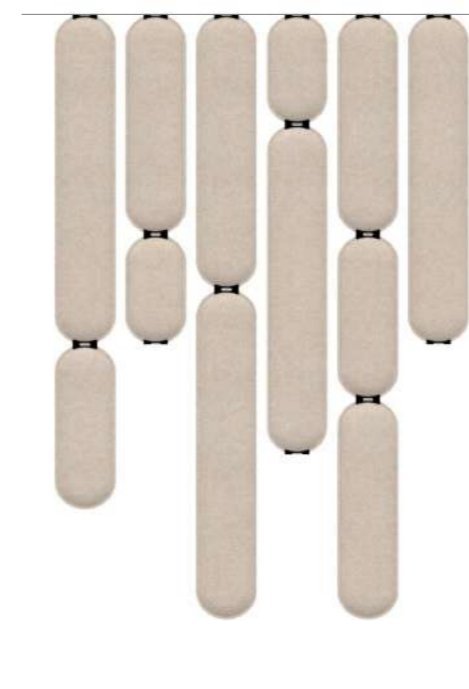


Ceiling-Mounted

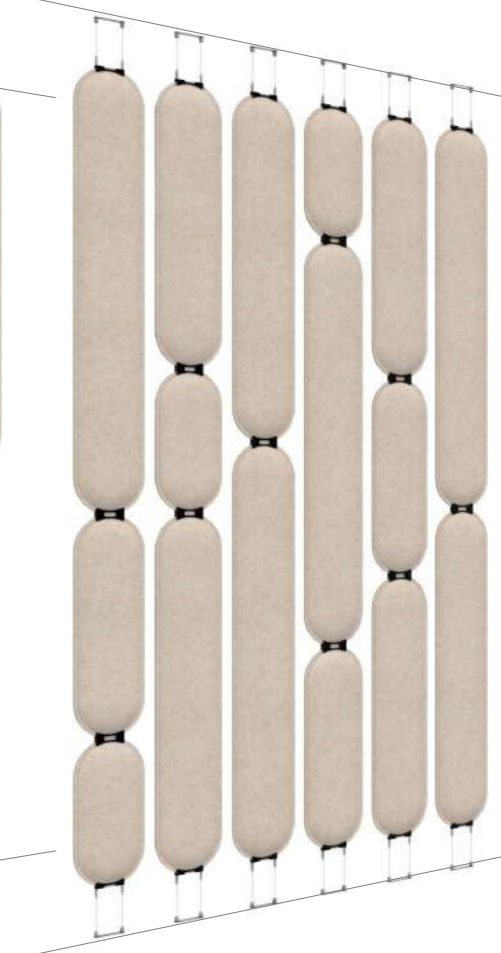


Fixed Metal Adapter

Designed for direct ceiling attachment. Provides a clean, minimalist "floating" look for standard ceiling heights. Ensures a permanent, sturdy vertical position.

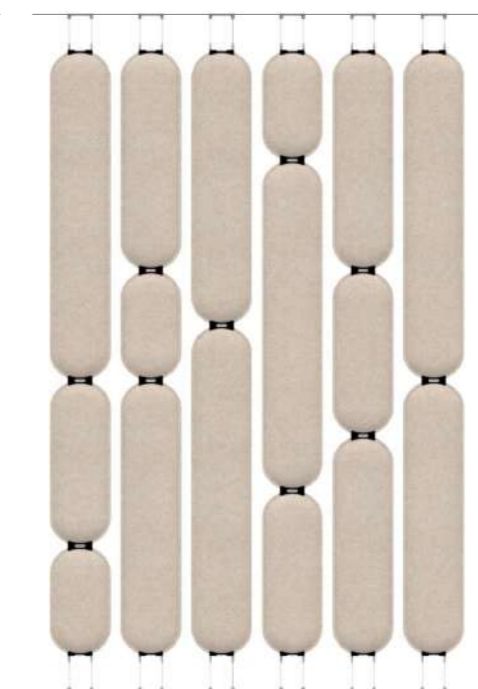


Floor-to-Ceiling with Wires

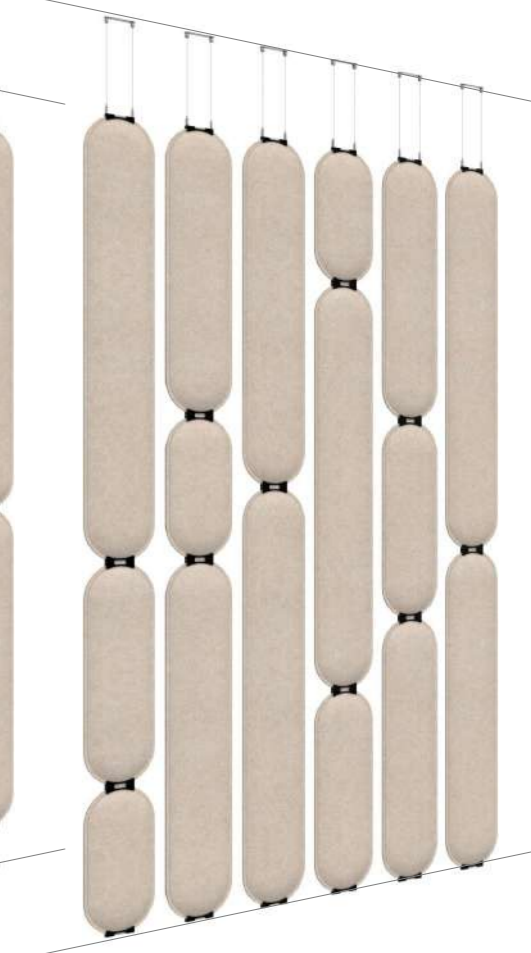


Adjustable Cable System

Utilizes high-tension stainless steel wires. Perfect for high ceilings or "open-sky" industrial spaces. Allows for precise height adjustment to align with existing architectural lines.

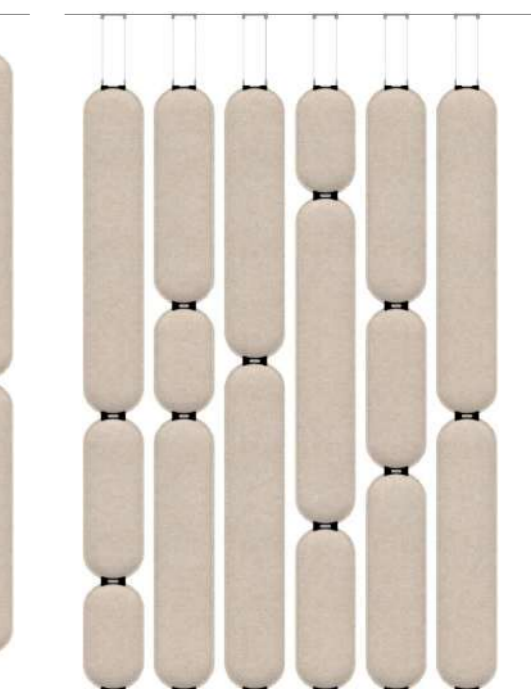


Ceiling with Wires Fixed to the Floor



Tethered Grounding

Floor-to-ceiling mounting that prevents swaying in high-traffic areas. This creates an architectural "column" effect, making the divider feel like an integrated part of the building's structure.





300mm x 600mm x 20mm



Product Code / Description	Custom Box	Felt Color Palettes	Metal Adapters Fixed
BLK-30HDN - Inherent (With Fixtures)	1		
BLK-30HDC - Color-IT (With Fixtures)	1		

APPLICATION

Wall & Ceiling - Indoor use only

MATERIAL

Mechanical needed punch industrial felt.
100% PET up to 60%
Recycled content &
Recyclable



Smooth Surface - Impact Resistance - Flexible

FIRE RATING

A Class (ASTM E84) - B s1 d0 (EN 13501-1)

THERMAL INSULATION
0,035 W/mK

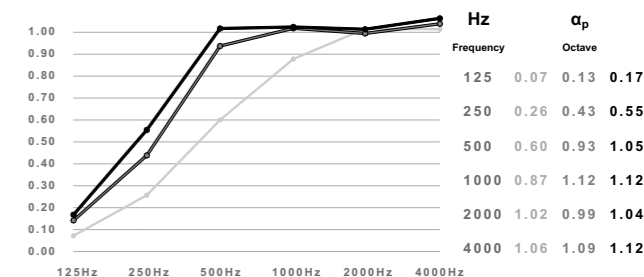
WEIGHT

1 tile: 375 gr. +/- 10% tolerance
1 tile: 0.82 lbs with +/- 10% tolerance

THICKNESS

Max. 20mm (+/- 2mm) - 0.78" (+/-0.08")
Min. 5mm (+/- 2mm) - 0.19" (+/-0.08")

ACOUSTIC PERFORMANCE



MOUNTING OPTIONS

Ceiling-Mounted with Metal Adapter



Floor-to-Ceiling with Wires



Ceiling with Wires Fixed to the Floor



Blade X Small	NRC		SAA	Class
	According to ISO 11654	According to ASTM C423	Sound Absorption Average	Sound Absorption
On the surface	0.55	0.70	0.69	D
Distance to surface: 50mm	0.70	0.90	0.88	B
Distance to surface: 100mm	0.85	1.00	0.94	C

alpha_p, Sound absorption coefficient according to ISO 354 alpha_p, Practical sound absorption coefficient according to ISO 11654

Blade Divider Module Small Sound-Absorbing Divider

300mm x 900mm x 20mm



Product Code / Description	Custom Box	Felt Color Palettes	Metal Adapters Fixed
BLS-30HDN - Inherent (With Fixtures)	1		
BLS-30HDC - Color-IT (With Fixtures)	1		

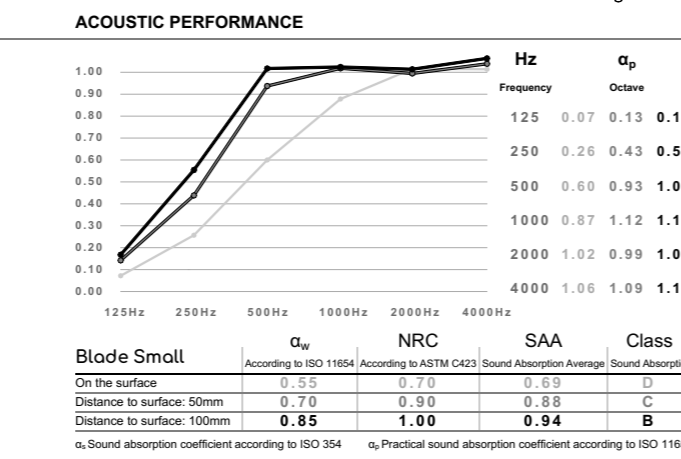
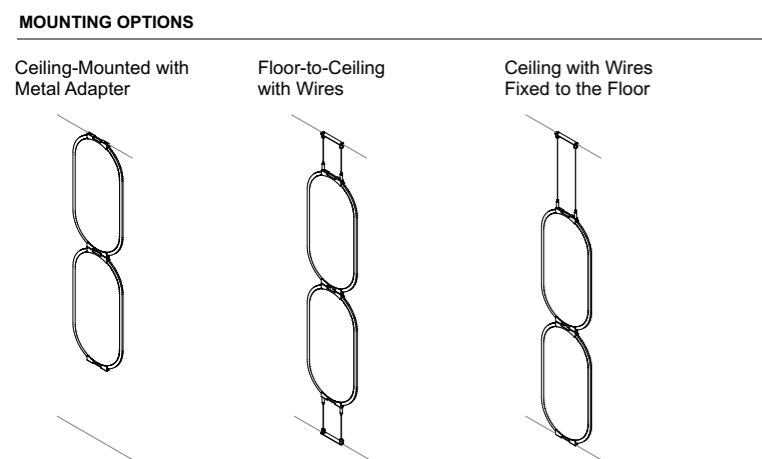
APPLICATION
Wall & Ceiling - Indoor use only

MATERIAL
Mechanical needled punch industrial felt.
100% PET up to 60%
Recycled content &
Recyclable

WEIGHT
1 tile: 565 gr. +/- 10% tolerance
1 tile: 1.24 lbs with +/- 10% tolerance

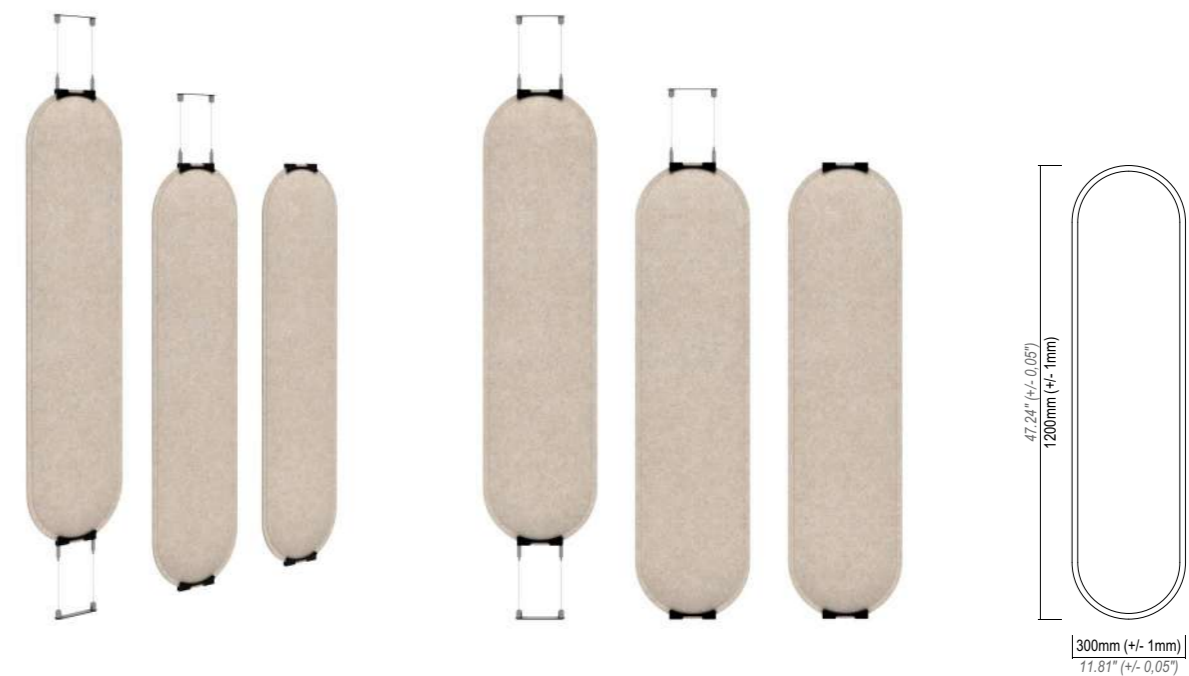
THICKNESS
Max. 20mm (+/- 2mm) - 0.78" (+/-0.08")
Min. 5mm (+/- 2mm) - 0.19" (+/-0.08")

FIRE RATING
A Class (ASTM E84) - B s1 d0 (EN 13501-1)



Blade Divider Module Medium Sound-Absorbing Divider

300mm x 1200mm x 20mm



Product Code / Description	Custom Box	Felt Color Palettes	Metal Adapters Fixed
BLM-30HDN - Inherent (With Fixtures)	1		
BLM-30HDC - Color-IT (With Fixtures)	1		

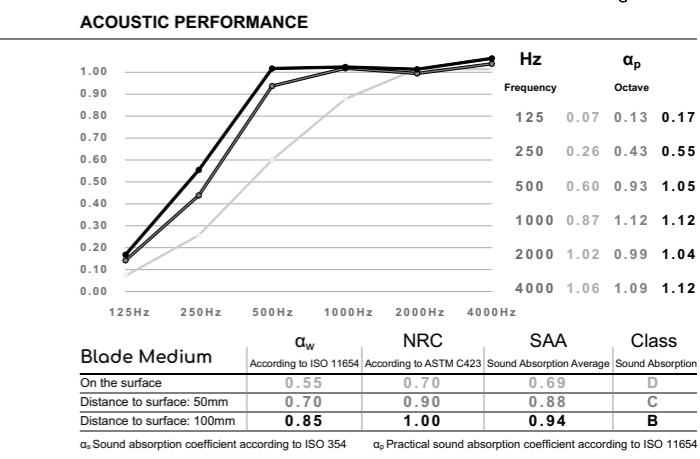
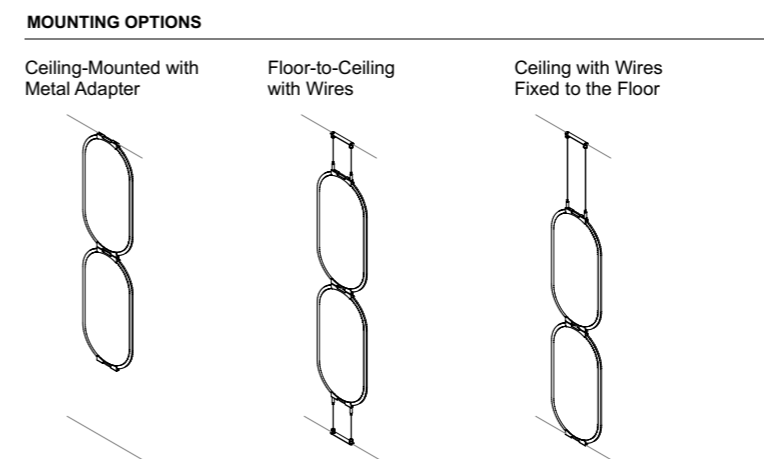
APPLICATION
Wall & Ceiling - Indoor use only

MATERIAL
Mechanical needled punch industrial felt.
100% PET up to 60%
Recycled content &
Recyclable

WEIGHT
1 tile: 765 gr. +/- 10% tolerance
1 tile: 1.68 lbs with +/- 10% tolerance

THICKNESS
Max. 20mm (+/- 2mm) - 0.78" (+/-0.08")
Min. 5mm (+/- 2mm) - 0.19" (+/-0.08")

FIRE RATING
A Class (ASTM E84) - B s1 d0 (EN 13501-1)

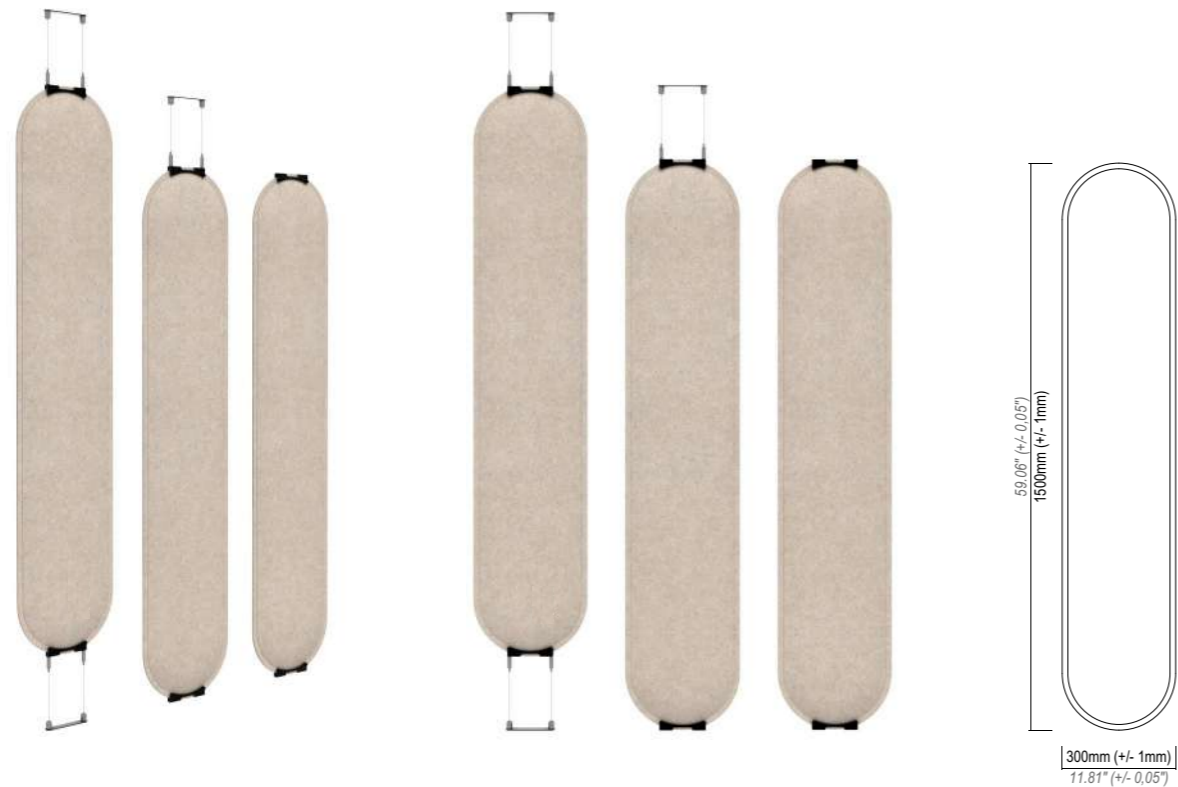


Blade Divider Module Large

Sound-Absorbing Divider



300mm x 1200mm x 20mm



Product Code / Description	Custom Box	Felt Color Palettes	Metal Adapters Fixed
BLM-30HDN - Inherent (With Fixtures)	1	<p>Inherent Color-IT</p>	
BLM-30HDC - Color-IT (With Fixtures)	1		

APPLICATION
Wall & Ceiling - Indoor use only

MATERIAL
Mechanical needled punch industrial felt.
100% PET up to 60%
Recycled content &
Recyclable

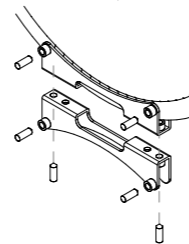


Smooth Surface - Impact Resistance - Flexible

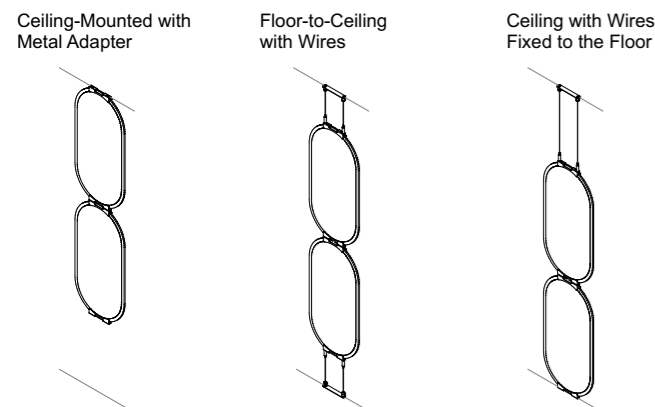
FIRE RATING
A Class (ASTM E84) - B s1 d0 (EN 13501-1)

WEIGHT
1 tile: 765 gr. +/- 10% tolerance
1 tile: 1.68 lbs with +/- 10% tolerance

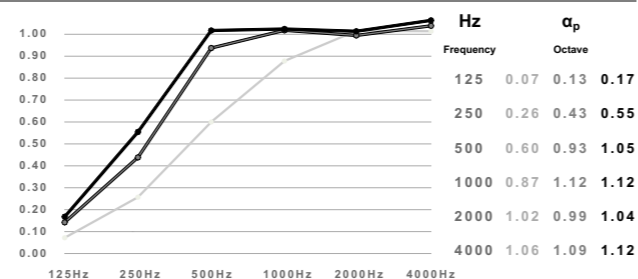
THICKNESS
Max. 20mm (+/- 2mm) - 0.78" (+/- 0.08")
Min. 5mm (+/- 2mm) - 0.19" (+/- 0.08")



MOUNTING OPTIONS



ACOUSTIC PERFORMANCE



	α_w	NRC	SAA	Class
On the surface	0.55	0.70	0.69	D
Distance to surface: 50mm	0.70	0.90	0.88	C
Distance to surface: 100mm	0.85	1.00	0.94	B

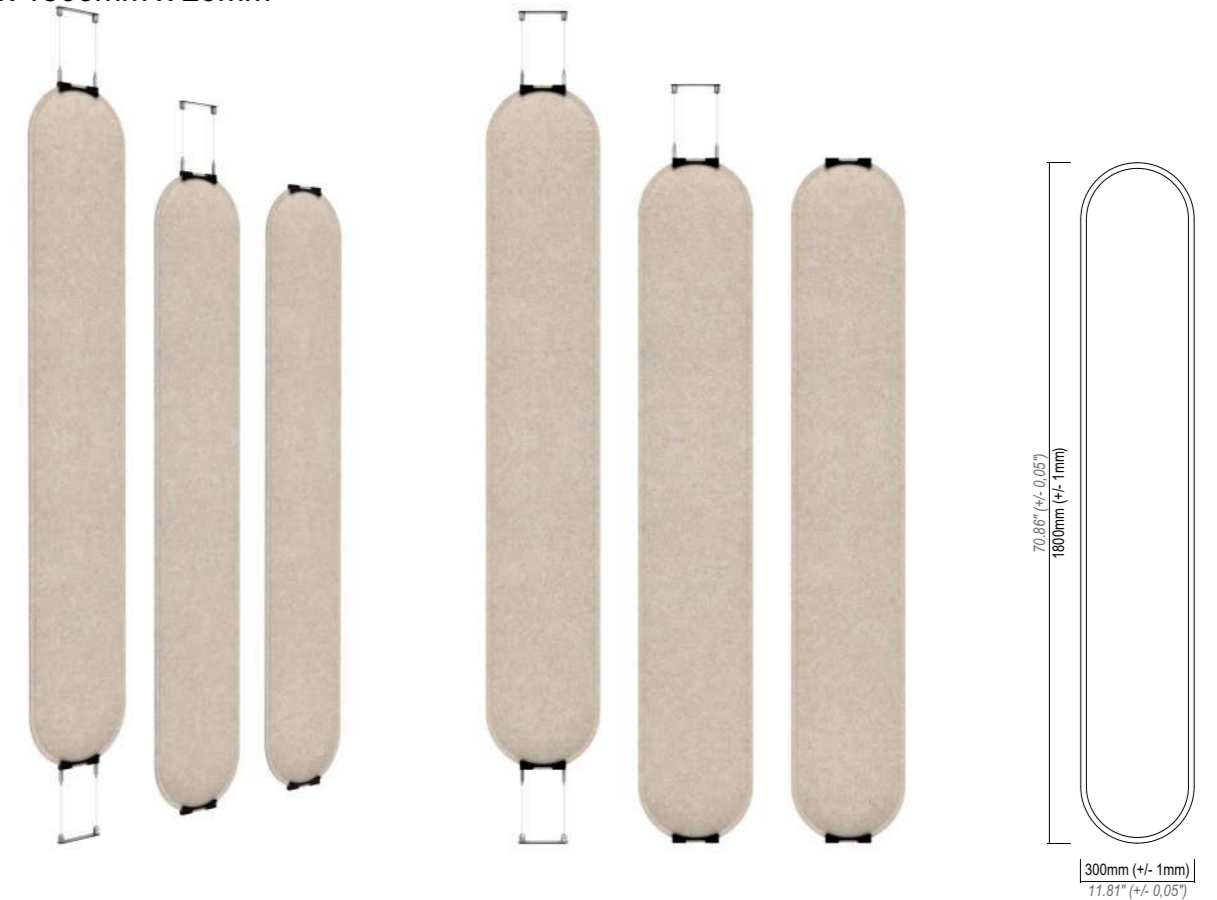
α_w Sound absorption coefficient according to ISO 354 α_p Practical sound absorption coefficient according to ISO 11654

Blade Divider Module X large

Sound-Absorbing Divider



300mm x 1800mm x 20mm



Product Code / Description	Custom Box	Felt Color Palettes	Metal Adapters Fixed
BXM-30HDN - Inherent (With Fixtures)	1	<p>Inherent Color-IT</p>	
BXM-30HDC - Color-IT (With Fixtures)	1		

APPLICATION
Wall & Ceiling - Indoor use only

MATERIAL
Mechanical needled punch industrial felt.
100% PET up to 60%
Recycled content &
Recyclable

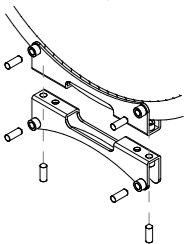


Smooth Surface - Impact Resistance - Flexible

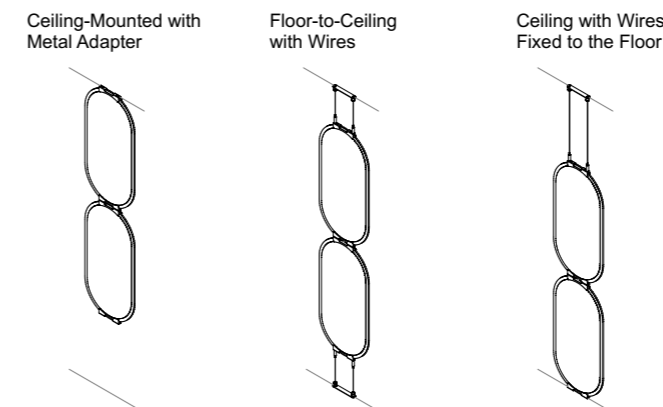
FIRE RATING
A Class (ASTM E84) - B s1 d0 (EN 13501-1)

WEIGHT
1 tile: 1050 gr. +/- 10% tolerance
1 tile: 2.31 lbs with +/- 10% tolerance

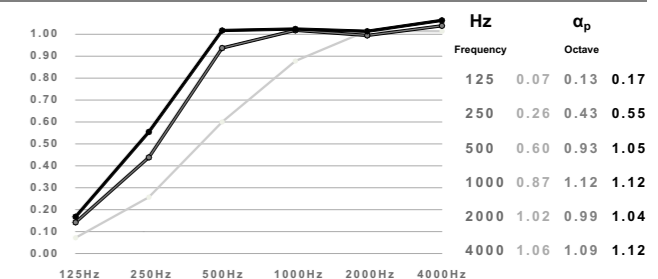
THICKNESS
Max. 20mm (+/- 2mm) - 0.78" (+/- 0.08")
Min. 5mm (+/- 2mm) - 0.19" (+/- 0.08")



MOUNTING OPTIONS



ACOUSTIC PERFORMANCE



	α_w	NRC	SAA	Class
On the surface	0.55	0.70	0.69	D
Distance to surface: 50mm	0.70	0.90	0.88	C
Distance to surface: 100mm	0.85	1.00	0.94	B

α_w Sound absorption coefficient according to ISO 354 α_p Practical sound absorption coefficient according to ISO 11654

Blade Lighting

The Blade Series: Precision in Light and Sound

The Blade Series represents the cutting edge of functional aesthetics, seamlessly merging high-performance LED technology with Acoustera's signature 100% polyester industrial felt.

Designed as a modular acoustic lighting solution, the Blade features a slim, linear profile that "slices" through ambient noise while providing targeted, high-quality illumination.

Available in three distinct scales this series offers architects and designers the flexibility to create rhythmic overhead configurations or singular statement pieces.

Whether installed in minimalist offices or expansive commercial halls, the Blade Series delivers a dual-sensory experience: visual clarity and acoustic serenity.



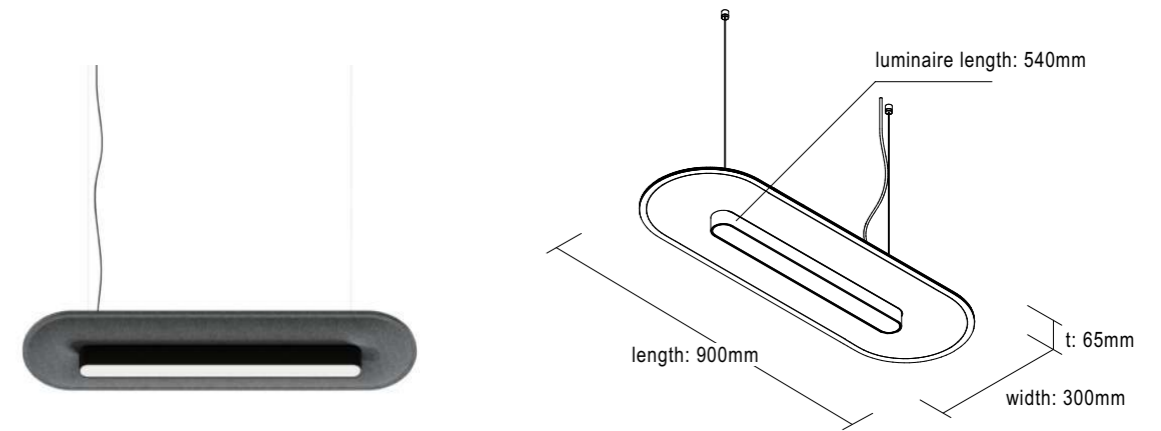
Blade Lighting



Blade Small Acoustic Lighting

900mm x 300mm x 65mm

LED / Microprismatic diffuser / Direct Only



Product Code / Description	Box Qty / m ²	Felt Color Palettes	Mounting Type
BSL-60PLN - Inherent (With Lighting)	1 / 0.251 m ²	<p>Inherent Color-IT</p>	<p>Multi-Point Pendant</p>
BSL-60PLC - Color-IT (With Lighting)	1 / 0.251 m ²		
Aluminium Body Colors <p>Black Anthracite Grey White RAL Special Colors</p> <p>Luminaire: L: 540mm 12W / 1250 lm Control Options: External Driver. ON/OFF, DALI, PushDim, Bluetooth. CRI>80 or CRI>90 Color Temperature: 2700K, 3000K or 4000K Diffuser Options: Microprismatic CE 220V / 240V LEDs 50/60Hz Lumen values are calculated at 4000K</p>			

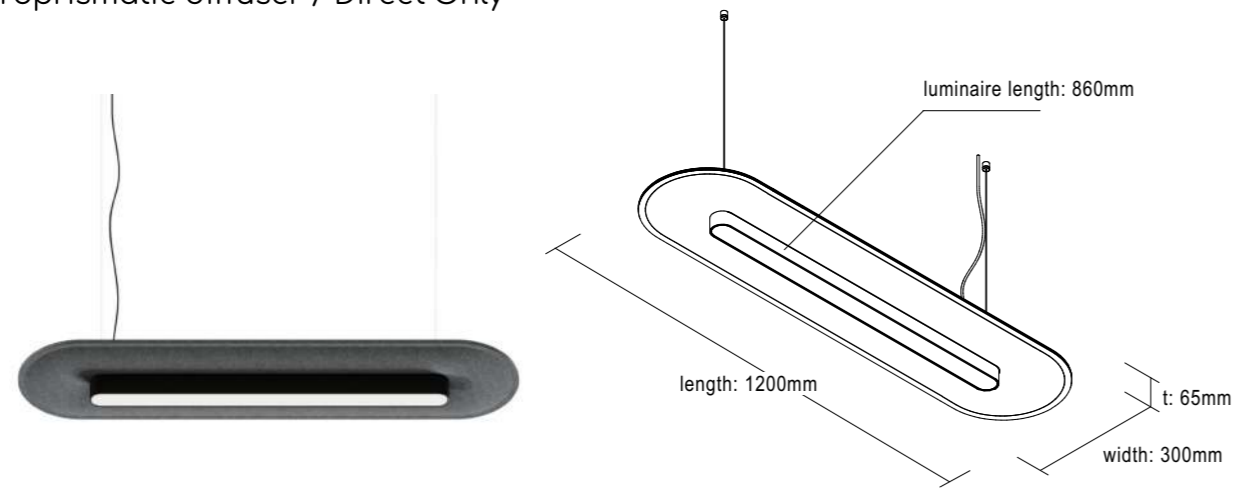
APPLICATION Pendant Lighting - Indoor use only MATERIAL Mechanical needled punch industrial felt. 100% PET up to 60% Recycled content & Recyclable FIRE RATING A Class (ASTM E84) - B s1 d0 (EN 13501-1) THERMAL INSULATION 0,035 W/mK	WEIGHT 1 unit: 1250 gr. +/- 10% tolerance 1 unit: 2.75 lbs with +/- 10% tolerance THICKNESS Max. 65mm (+/- 2mm) - 2.56" (+/-0.08") Min. 6mm (+/- 2mm) - 0.23" (+/-0.08") Smooth Surface - Impact Resistance - Flexible	BOX SIZE & CONTENT W: 320 mm D: 920 mm H: 80 mm W: 12.60" D: 36.22" H: 3.15" 1 Box: 1 x lighting 1 Box: 0.251 m ² 1 Box: 2.70 ft ² 1 Color of choice per package Gross weight: 2.25 kg Gross weight: 4.96 lbs
--	--	--

PALETTE SIZE & CONTENT		ACOUSTIC PERFORMANCE																																				
W: 1220 mm D: 1015 mm H: 1800 mm W: 48" D: 40" H: 71" 80 Pcs. Box Gross Weight 200 kg 440 lbs	W: 1200 mm D: 800 mm H: 1800 mm W: 47.25" D: 31.5" H: 71" 40 Pcs. Box Gross Weight 105 kg 230 lbs		<table border="1"> <thead> <tr> <th>Frequency</th> <th>α_w</th> <th>NRC</th> <th>SAA</th> <th>Class</th> </tr> </thead> <tbody> <tr> <td>125 Hz</td> <td>0.10</td> <td>0.70</td> <td>0.69</td> <td>D</td> </tr> <tr> <td>250 Hz</td> <td>0.20</td> <td>0.70</td> <td>0.88</td> <td>C</td> </tr> <tr> <td>500 Hz</td> <td>0.40</td> <td>0.90</td> <td>0.94</td> <td>B</td> </tr> <tr> <td>1000 Hz</td> <td>0.87</td> <td>1.00</td> <td></td> <td></td> </tr> <tr> <td>2000 Hz</td> <td>1.02</td> <td></td> <td></td> <td></td> </tr> <tr> <td>4000 Hz</td> <td>1.06</td> <td></td> <td></td> <td></td> </tr> </tbody> </table>	Frequency	α _w	NRC	SAA	Class	125 Hz	0.10	0.70	0.69	D	250 Hz	0.20	0.70	0.88	C	500 Hz	0.40	0.90	0.94	B	1000 Hz	0.87	1.00			2000 Hz	1.02				4000 Hz	1.06			
Frequency	α _w	NRC	SAA	Class																																		
125 Hz	0.10	0.70	0.69	D																																		
250 Hz	0.20	0.70	0.88	C																																		
500 Hz	0.40	0.90	0.94	B																																		
1000 Hz	0.87	1.00																																				
2000 Hz	1.02																																					
4000 Hz	1.06																																					
Blade Small On the surface: α _w 0.55, NRC 0.70, SAA 0.69, Class D Distance to surface: 50mm: α _w 0.70, NRC 0.90, SAA 0.88, Class C Distance to surface: 100mm: α _w 0.85, NRC 1.00, SAA 0.94, Class B		<small>α_w Sound absorption coefficient according to ISO 354 α_p Practical sound absorption coefficient according to ISO 11654</small>																																				

Blade Medium Acoustic Lighting

1200mm x 300mm x 65mm

LED / Microprismatic diffuser / Direct Only



Product Code / Description	Box Qty / m ²	Felt Color Palettes	Mounting Type
BML-60PLN - Inherent (With Lighting)	1 / 0.341 m ²		
BML-60PLC - Color-IT (With Lighting)	1 / 0.341 m ²		
Aluminium Body Colors 			
Luminaire: L: 860mm 20W / 2000 lm Control Options: External Driver. ON/OFF, DALI, PushDim, Bluetooth. CRI>80 or CRI>90 Color Temperature: 2700K, 3000K or 4000K Diffuser Options: Microprismatic CE 220V / 240V LEDs 50/60Hz Lumen values are calculated at 4000K			

APPLICATION
Pendant Lighting - Indoor use only

MATERIAL
Mechanical needled punch industrial felt.
100% PET up to 60% Recycled content & Recyclable

FIRE RATING
A Class (ASTM E84) - B s1 d0 (EN 13501-1)

THERMAL INSULATION
0,035 W/mK

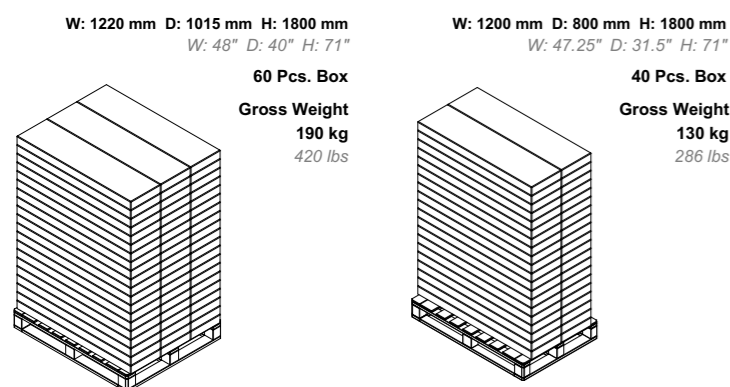
WEIGHT
1 unit: 1700 gr. +/- 10% tolerance
1 unit: 3.75 lbs with +/- 10% tolerance

THICKNESS

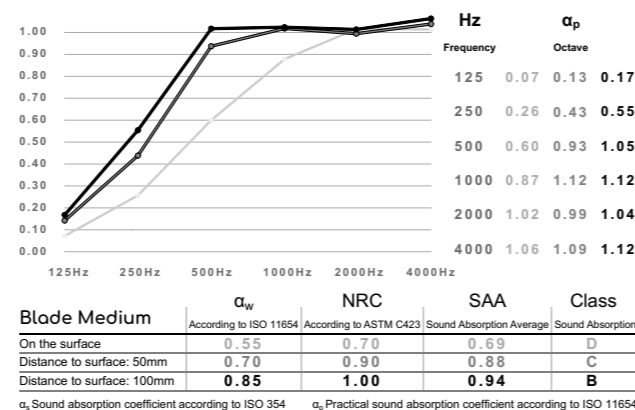
Max. 65mm (+/- 2mm) - 2.56" (+/-0.08")
Min. 6mm (+/- 2mm) - 0.23" (+/-0.08")
Smooth Surface - Impact Resistance - Flexible

BOX SIZE & CONTENT
W: 320 mm D: 1220 mm H: 80 mm
W: 12.60" D: 48.03" H: 3.15"
1 Box: 1 x lighting
1 Box: 0.341 m²
1 Box: 3.67 ft²
1 Color of choice per package
Gross weight: 2.8 kg
Gross weight: 6.17 lbs

PALETTE SIZE & CONTENT



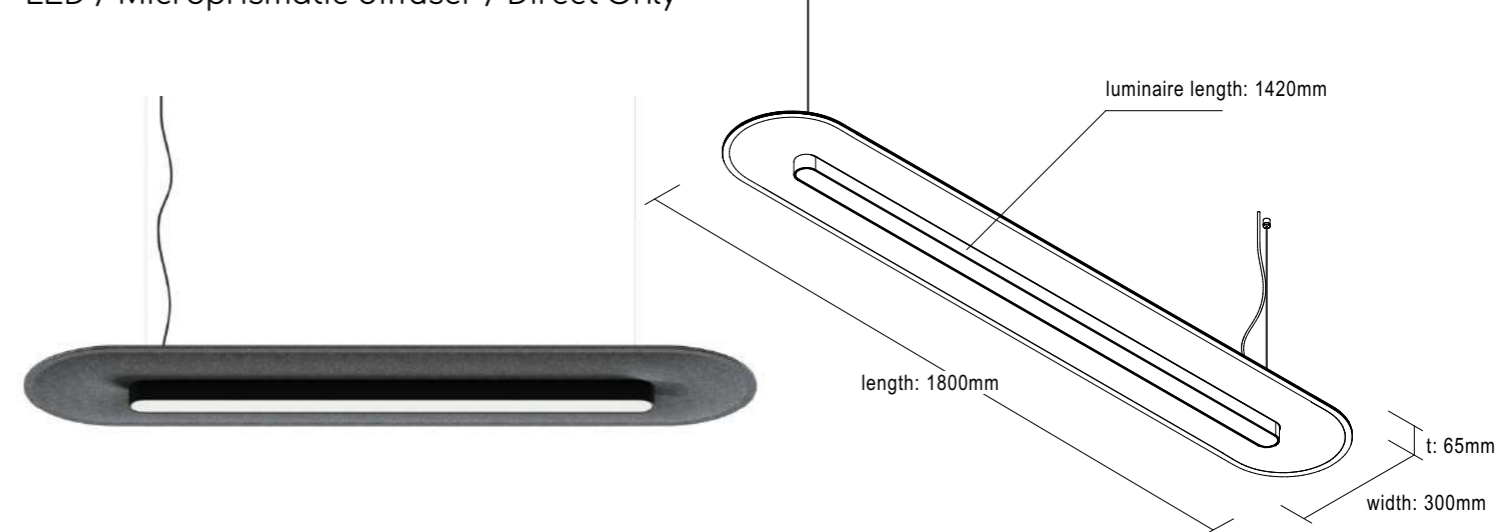
ACOUSTIC PERFORMANCE



Blade X Large Acoustic Lighting

1800mm x 300mm x 65mm

LED / Microprismatic diffuser / Direct Only



Product Code / Description	Box Qty / m ²	Felt Color Palettes	Mounting Type
BXL-60PLN - Inherent (With Lighting)	1 / 0.521 m ²		
BXL-60PLC - Color-IT (With Lighting)	1 / 0.521 m ²		
Aluminium Body Colors 			
Luminaire: L: 1420mm 33W / 3300 lm Control Options: External Driver. ON/OFF, DALI, PushDim, Bluetooth. CRI>80 or CRI>90 Color Temperature: 2700K, 3000K or 4000K Diffuser Options: Microprismatic CE 220V / 240V LEDs 50/60Hz Lumen values are calculated at 4000K			

APPLICATION
Pendant Lighting - Indoor use only

MATERIAL
Mechanical needled punch industrial felt.
100% PET up to 60% Recycled content & Recyclable

FIRE RATING
A Class (ASTM E84) - B s1 d0 (EN 13501-1)

THERMAL INSULATION
0,035 W/mK

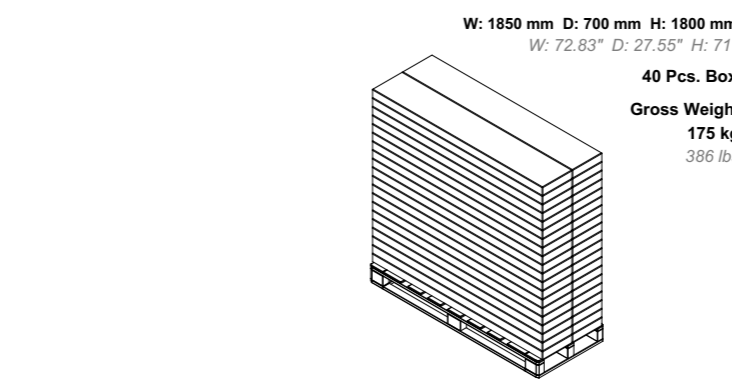
WEIGHT
1 unit: 2600 gr. +/- 10% tolerance
1 unit: 5.73 lbs with +/- 10% tolerance

THICKNESS

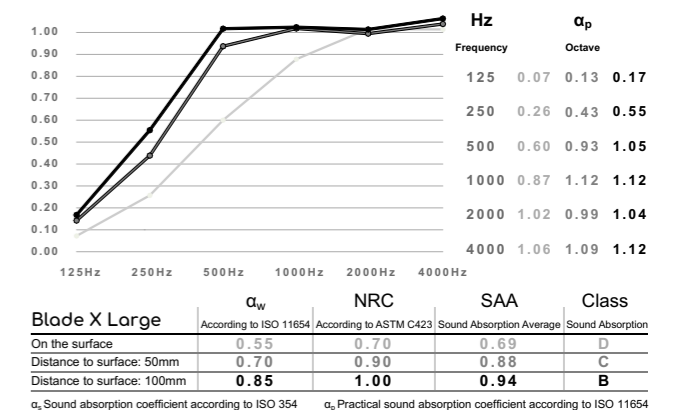
Max. 65mm (+/- 2mm) - 2.56" (+/-0.08")
Min. 6mm (+/- 2mm) - 0.23" (+/-0.08")
Smooth Surface - Impact Resistance - Flexible

BOX SIZE & CONTENT
W: 320 mm D: 1820 mm H: 80 mm
W: 12.60" D: 71.65" H: 3.15"
1 Box: 1 x lighting
1 Box: 0.521 m²
1 Box: 5.60 ft²
1 Color of choice per package
Gross weight: 3.75 kg
Gross weight: 8.27 lbs

PALETTE SIZE & CONTENT



ACOUSTIC PERFORMANCE





ACOUSTERA

Sound Clouds

Rotund & Coleo Sound Clouds deliver Class-A acoustic performance for superior noise reduction.

These versatile clouds are ideal for both ceiling and wall applications, enhancing sound quality while adding modern aesthetic appeal.

Rotund Small Sound-Absorbing Wall Panel



Ø: 600mm x Thickness: 30mm

WALL



Product Code / Description	Box Qty / m ²	Felt Color Palettes	Mounting Brackets
RSW-30AAN - Inherent (Panel Only)	4 / 1.132 m ²		
RSW-30MBN - Inherent + Mounting Brackets	4 / 1.132 m ²		
RSW-30AAC - Color-IT (Panel Only)	4 / 1.132 m ²		
RSW-30MBC - Color-IT + Mounting Brackets	4 / 1.132 m ²		

APPLICATION
Wall & Ceiling - Indoor use only

MATERIAL
Mechanical needled punch industrial felt.
100% PET up to 60% Recycled content & Recyclable

FIRE RATING
A Class (ASTM E84) - B s1 d0 (EN 13501-1)

THERMAL INSULATION
0,035 W/mK

WEIGHT
1 unit: 700 gr. +/- 10% tolerance
1 unit: 1.54 lbs with +/- 10% tolerance

THICKNESS

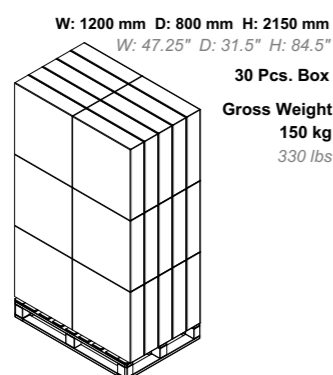
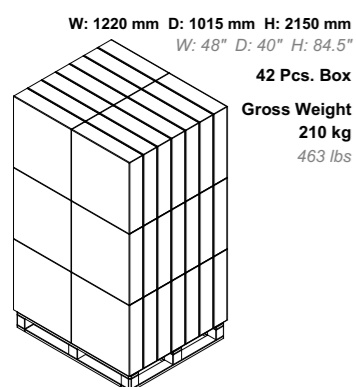
Max. 30mm (+/- 2mm) - 1.18" (+/- 0.08")
Min. 8mm (+/- 2mm) - 0.31" (+/- 0.08")
Smooth Surface - Impact Resistance - Flexible

BOX SIZE & CONTENT
W: 620 mm D: 660 mm H: 150 mm
W: 24.5" D: 26" H: 5.9"

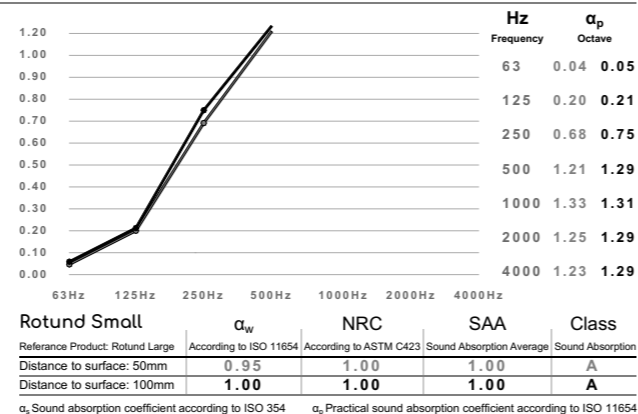
1 Box: 4 x panels
1 Box: 1.132 m²
1 Box: 12.185 ft²

1 Color of choice per package
Gross weight: 4.5 kg
Gross weight: 10.00 lbs

PALETTE SIZE & CONTENT



ACOUSTIC PERFORMANCE



Rotund Small Sound-Absorbing Ceiling Pendant



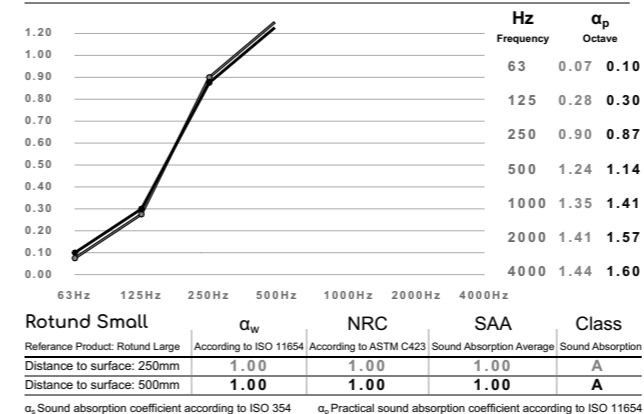
Ø: 600mm x Thickness: 30mm

SOUND CLOUD

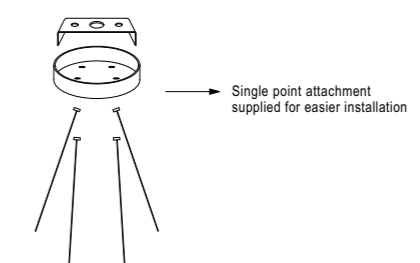


Product Code / Description	Box Qty / m ²	Felt Color Palettes	Hng. Wires + Unifier Ring
RSH-30HSN - Inherent + Hanging Set	4 / 1.132 m ²		
RSH-30HUN - Inherent + Hanging Set + Uni. Ring	4 / 1.132 m ²		
RSH-30HSC - Color-IT + Hanging Set	4 / 1.132 m ²		
RSH-30HUC - Color-IT + Hanging Set + Uni. Ring	4 / 1.132 m ²		

ACOUSTIC PERFORMANCE



Unifier Ring



Rotund Medium Sound-Absorbing Wall Panel



Ø: 900mm x Thickness: 30mm

WALL



Product Code / Description	Box Qty / m ²	Felt Color Palettes	Mounting Brackets
RMW-30AAN - Inherent (Panel Only)	4 / 2.544 m ²		
RMW-30MBN - Inherent + Mounting Brackets	4 / 2.544 m ²		
RMW-30AAC - Color-IT (Panel Only)	4 / 2.544 m ²		
RMW-30MBC - Color-IT + Mounting Brackets	4 / 2.544 m ²		

APPLICATION
Wall & Ceiling - Indoor use only

MATERIAL
Mechanical needled punch industrial felt.
100% PET up to 60% Recycled content & Recyclable

FIRE RATING
A Class (ASTM E84) - B s1 d0 (EN 13501-1)

THERMAL INSULATION
0,035 W/mK

WEIGHT
1 unit: 1500 gr. +/- 10% tolerance
1 unit: 3.30 lbs with +/- 10% tolerance

THICKNESS

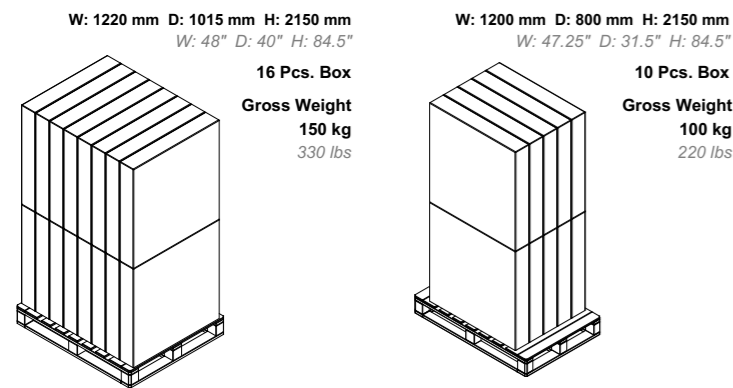
 Max. 30mm (+/- 2mm) - 1.18" (+/- 0.08")
 Min. 8mm (+/- 2mm) - 0.31" (+/- 0.08")
 Smooth Surface - Impact Resistance - Flexible

BOX SIZE & CONTENT
W: 920 mm D: 920 mm H: 150 mm
W: 36.22" D: 36.22" H: 5.90"

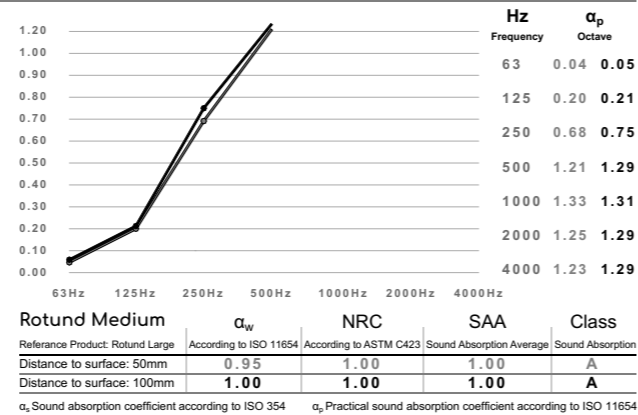
1 Box: 4 x panels
1 Box: 2.544 m²
1 Box: 27.383 ft²

1 Color of choice per package
Gross weight: 8 kg
Gross weight: 17.63 lbs

PALETTE SIZE & CONTENT



ACOUSTIC PERFORMANCE



Rotund Medium Sound-Absorbing Ceiling Pendant



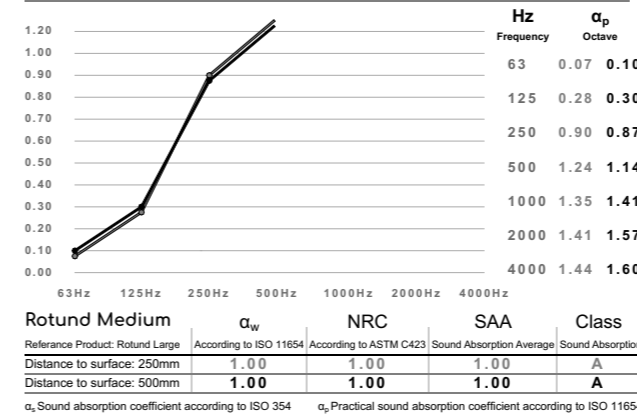
Ø: 900mm x Thickness: 30mm

SOUND CLOUD

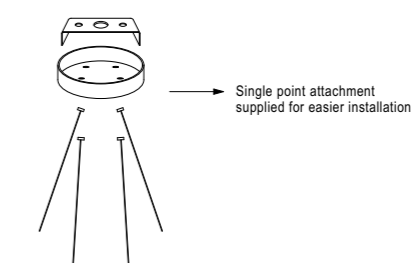


Product Code / Description	Box Qty / m ²	Felt Color Palettes	Hng. Wires + Unifier Ring
RMH-30HSN - Inherent + Hanging Set	4 / 2.544 m ²		<ul style="list-style-type: none"> Plastic Dowel Steel wire holder (part 1) Screw Steel wire stopper Steel wire holder (part 2) Steel wire (1.5 meters) Steel wire height adjuster Adapter fixed on the product
RMH-30HUN - Inherent + Hanging Set + Uni. Ring	4 / 2.544 m ²		
RMH-30HSC - Color-IT + Hanging Set	4 / 2.544 m ²		
RMH-30HUC - Color-IT + Hanging Set + Uni. Ring	4 / 2.544 m ²		

ACOUSTIC PERFORMANCE



Unifier Ring



Rotund Large Sound-Absorbing Wall Panel



Ø: 1200mm x Thickness: 45mm

WALL



Product Code / Description	Box Qty / m ²	Felt Color Palettes	Mounting Brackets
RLW-30AAN - Inherent (Panel Only)	2 / 2.26 m ²		
RLW-30MBN - Inherent + Mounting Brackets	2 / 2.26 m ²		
RLW-30AAC - Color-IT (Panel Only)	2 / 2.26 m ²		
RLW-30MBC - Color-IT + Mounting Brackets	2 / 2.26 m ²		

APPLICATION
Wall & Ceiling - Indoor use only

MATERIAL
Mechanical needled punch industrial felt.
100% PET up to 60% Recycled content & Recyclable

FIRE RATING
A Class (ASTM E84) - B s1 d0 (EN 13501-1)

THERMAL INSULATION
0,035 W/mK

WEIGHT
1 unit: 4000 gr. +/- 10% tolerance
1 unit: 8.81 lbs with +/- 10% tolerance

THICKNESS

Max. 45mm (+/- 2mm) - 1.77" (+/- 0.08")
Min. 8mm (+/- 2mm) - 0.31" (+/- 0.08")

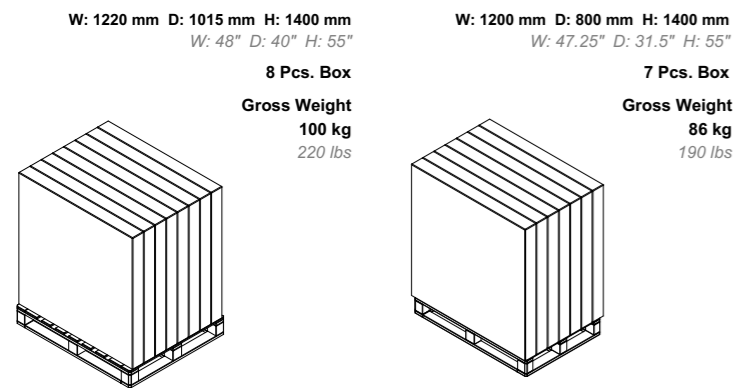
Smooth Surface - Impact Resistance - Flexible

BOX SIZE & CONTENT
W: 920 mm D: 920 mm H: 150 mm
W: 36.22" D: 36.22" H: 5.90"

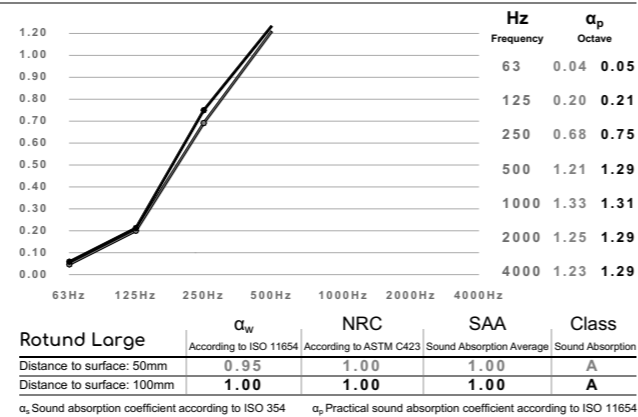
1 Box: 2 x panels
1 Box: 2.26 m²
1 Box: 24.32 ft²

1 Color of choice per package
Gross weight: 10 kg
Gross weight: 22.04 lbs

PALETTE SIZE & CONTENT



ACOUSTIC PERFORMANCE



Rotund Large Sound-Absorbing Ceiling Pendant



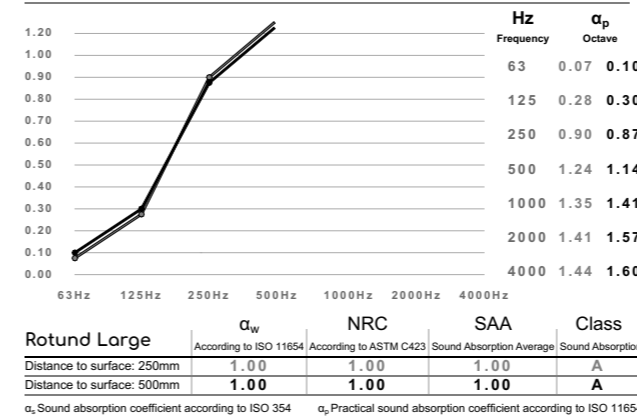
Ø: 1200mm x Thickness: 45mm

SOUND CLOUD

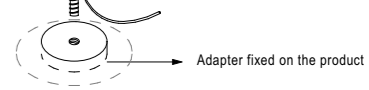
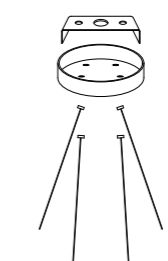


Product Code / Description	Box Qty / m ²	Felt Color Palettes	Hng. Wires + Unifier Ring
RLH-30HSN - Inherent + Hanging Set	2 / 2.26 m ²		
RLH-30HUN - Inherent + Hanging Set + Uni. Ring	2 / 2.26 m ²		
RLH-30HSC - Color-IT + Hanging Set	2 / 2.26 m ²		
RLH-30HUC - Color-IT + Hanging Set + Uni. Ring	2 / 2.26 m ²		

ACOUSTIC PERFORMANCE



Unifier Ring



Rotund X Large Sound-Absorbing Wall Panel



Ø: 1500mm x Thickness: 45mm

WALL



Felt Color Palettes

Product Code / Description	Box Qty / m ²	Inherent	Color-IT	Mounting Brackets
RXW-30AAN - Inherent (Panel Only)	2 / 2.26 m ²			
RXW-30MBN - Inherent + Mounting Brackets	2 / 2.26 m ²			
RXW-30AAC - Color-IT (Panel Only)	2 / 2.26 m ²			
RXW-30MBC - Color-IT + Mounting Brackets	2 / 2.26 m ²			

APPLICATION
Wall & Ceiling - Indoor use only

MATERIAL
Mechanical needled punch industrial felt.
100% PET up to 60% Recycled content & Recyclable

FIRE RATING
A Class (ASTM E84) - B s1 d0 (EN 13501-1)

THERMAL INSULATION
0,035 W/mK

WEIGHT
1 unit: 7200 gr. +/- 10% tolerance
1 unit: 15.87 lbs with +/- 10% tolerance

THICKNESS

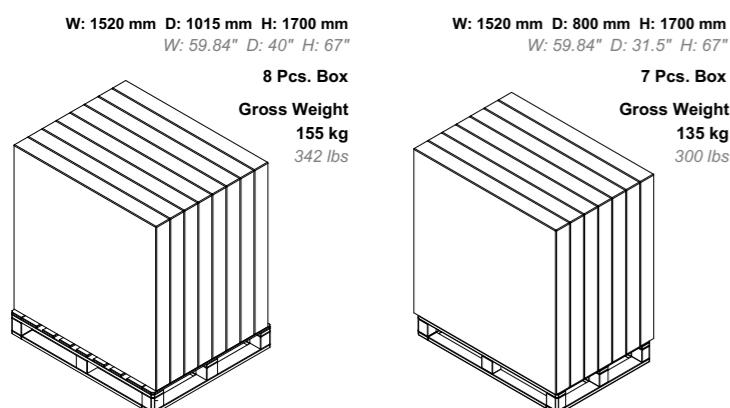
 Max. 45mm (+/- 2mm) - 1.77" (+/-0.08")
 Min. 8mm (+/- 2mm) - 0.31" (+/-0.08")
 Smooth Surface - Impact Resistance - Flexible

BOX SIZE & CONTENT
W: 1520 mm D: 1520 mm H: 120 mm
W: 59.84" D: 59.84" H: 4.72"

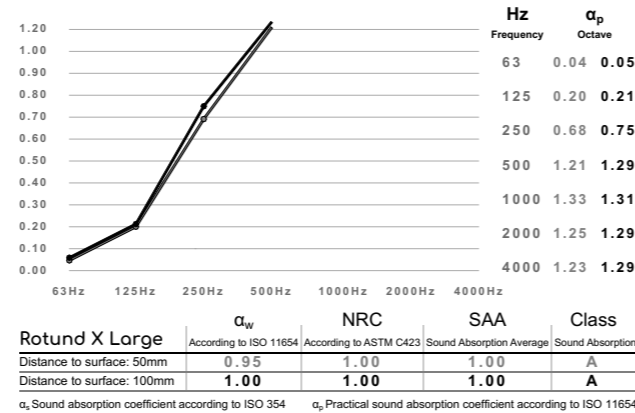
1 Box: 2 x panels
1 Box: 3.534 m²
1 Box: 27.275 ft²

1 Color of choice per package
Gross weight: 17 kg
Gross weight: 37.48 lbs

PALETTE SIZE & CONTENT



ACOUSTIC PERFORMANCE



Rotund X Large Sound-Absorbing Ceiling Pendant



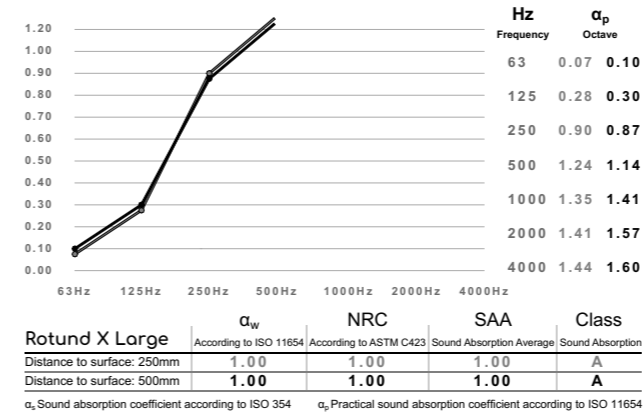
Ø: 1500mm x Thickness: 45mm

SOUND CLOUD



Product Code / Description	Box Qty / m ²	Inherent	Color-IT	Hng. Wires + Unifier Ring
RXH-30HSN - Inherent + Hanging Set	2 / 2.26 m ²			<ul style="list-style-type: none"> Plastic Dowel Steel wire holder (part 1) Screw Steel wire stopper Steel wire holder (part 2) Steel wire (1.5 meters) Steel wire height adjuster Adapter fixed on the product
RXH-30HUN - Inherent + Hanging Set + Uni. Ring	2 / 2.26 m ²			
RXH-30HSC - Color-IT + Hanging Set	2 / 2.26 m ²			
RXH-30HUC - Color-IT + Hanging Set + Uni. Ring	2 / 2.26 m ²			

ACOUSTIC PERFORMANCE



Coleo Large Sound-Absorbing Wall Panel

1200mm x 1800mm Thickness: 45mm



WALL



Product Code / Description	Box Qty / m ²	Felt Color Palettes	Mounting Brackets
CLW-30AAN - Inherent (Panel Only)	2 / 3.382 m ²		
CLW-30MBN - Inherent + Mounting Brackets	2 / 3.382 m ²		
CLW-30AAC - Color-IT (Panel Only)	2 / 3.382 m ²		
CLW-30MBC - Color-IT + Mounting Brackets	2 / 3.382 m ²		

APPLICATION
Wall & Ceiling - Indoor use only

MATERIAL
Mechanical needled punch industrial felt.
100% PET up to 60% Recycled content & Recyclable

FIRE RATING
A Class (ASTM E84) - B s1 d0 (EN 13501-1)

THERMAL INSULATION
0,035 W/mK

WEIGHT
1 unit: 6000 gr. +/- 10% tolerance
1 unit: 13.23 lbs with +/- 10% tolerance

THICKNESS

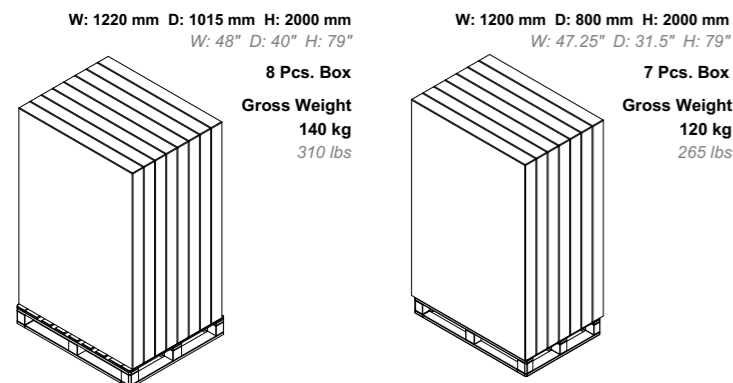
 Max. 45mm (+/- 2mm) - 1.77" (+/- 0.08")
 Min. 8mm (+/- 2mm) - 0.31" (+/- 0.08")
 Smooth Surface - Impact Resistance - Flexible

BOX SIZE & CONTENT
W: 1220 mm D: 1820 mm H: 120 mm
W: 48.03" D: 71.65" H: 4.72"

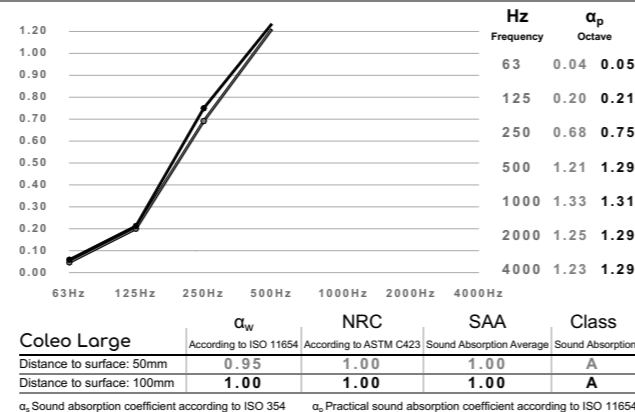
1 Box: 2 x panels
1 Box: 3.382 m²
1 Box: 36.403 ft²

1 Color of choice per package
Gross weight: 15 kg
Gross weight: 33.05 lbs

PALETTE SIZE & CONTENT



ACOUSTIC PERFORMANCE



Coleo Large Sound-Absorbing Ceiling Pendant

1200mm x 1800mm Thickness: 45mm

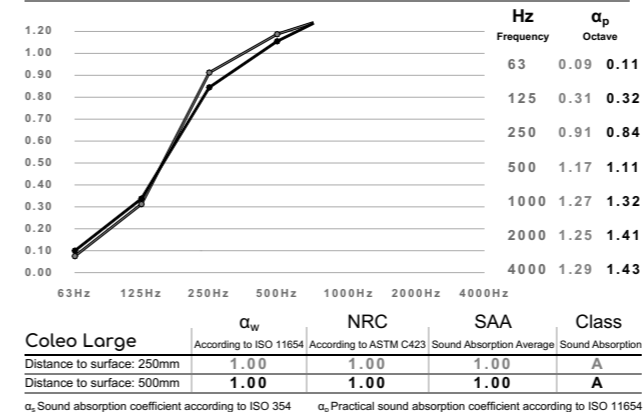


SOUND CLOUD

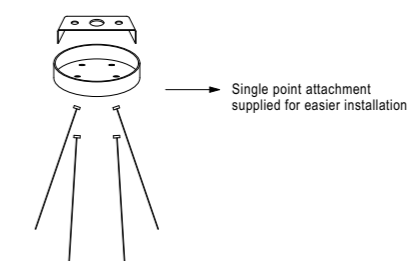


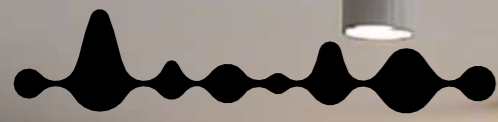
Product Code / Description	Box Qty / m ²	Felt Color Palettes	Hng. Wires + Unifier Ring
CLH-30HSN - Inherent + Hanging Set	2 / 3.382 m ²		
CLH-30HUN - Inherent + Hanging Set + Uni. Ring	2 / 3.382 m ²		
CLH-30HSC - Color-IT + Hanging Set	2 / 3.382 m ²		
CLH-30HUC - Color-IT + Hanging Set + Uni. Ring	2 / 3.382 m ²		

ACOUSTIC PERFORMANCE



Unifier Ring





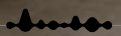
ACOUSTERA

Sound Clouds Lighting



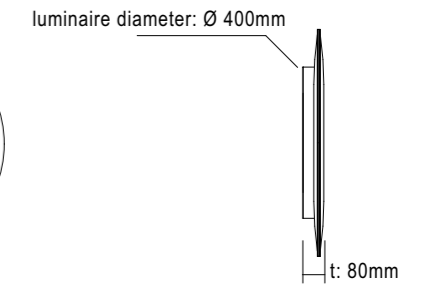
Rotund Sound Clouds Lightings combine our signature Class-A acoustic performance with premium LED lighting.

Offering superior noise reduction and brilliant illumination in a single, dual-purpose design, these versatile clouds are ideal for both ceiling and wall applications. Enhance your sound quality and brighten your space while adding a striking, modern aesthetic.



Ø: 600mm x Thickness: 80mm

LED / Opal diffuser / Indirect Only



Product Code / Description	Box Qty / m ²	Felt Color Palettes	Mounting Type
RSL-60WLN - Inherent (With Lighting)	4 / 1.132 m ²		<p>Wall - Mounted</p>
RSL-60WLC - Color-IT (With Lighting)	4 / 1.132 m ²		
Aluminium Body Colors 			
Luminaire: Ø 400mm 18W / 1440 lm Control Options: External Driver. ON/OFF, DALI, PushDim, Bluetooth. CRI>80 or CRI>90 Color Temperature: 2700K, 3000K or 4000K Diffuser Options: Opal CE 220V / 240V LEDs 50/60Hz Lumen values are calculated at 4000K			

APPLICATION
Pendant Lighting - Indoor use only

MATERIAL
Mechanical needled punch industrial felt.
100% PET up to 60% Recycled content & Recyclable

FIRE RATING
A Class (ASTM E84) - B s1 d0 (EN 13501-1)

THERMAL INSULATION
0,035 W/mK

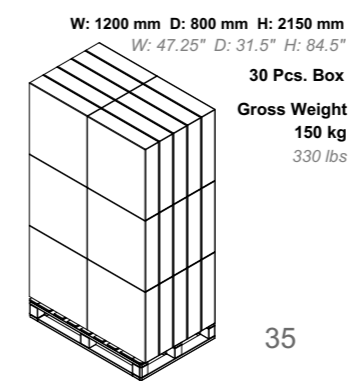
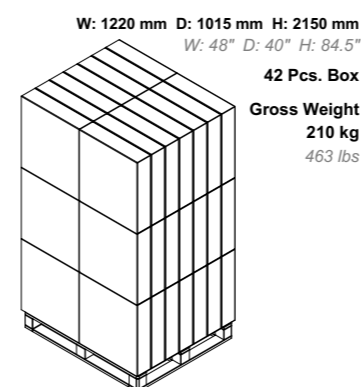
WEIGHT
1 unit: 700 gr. +/- 10% tolerance
1 unit: 1.54 lbs with +/- 10% tolerance

THICKNESS

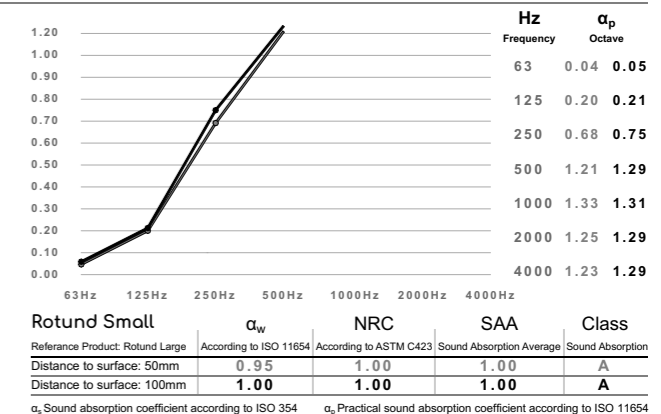
 Max. 30mm (+/- 2mm) - 1.18" (+/-0.08")
 Min. 8mm (+/- 2mm) - 0.31" (+/-0.08")
 Smooth Surface - Impact Resistance - Flexible

BOX SIZE & CONTENT
 W: 620 mm D: 660 mm H: 150 mm
 W: 24.5" D: 26" H: 5.9"
1 Box: 4 x panels
 1 Box: 1.132 m²
 1 Box: 12.185 ft²
1 Color of choice per package
 Gross weight: 4.5 kg
 Gross weight: 10.00 lbs

PALETTE SIZE & CONTENT



ACOUSTIC PERFORMANCE

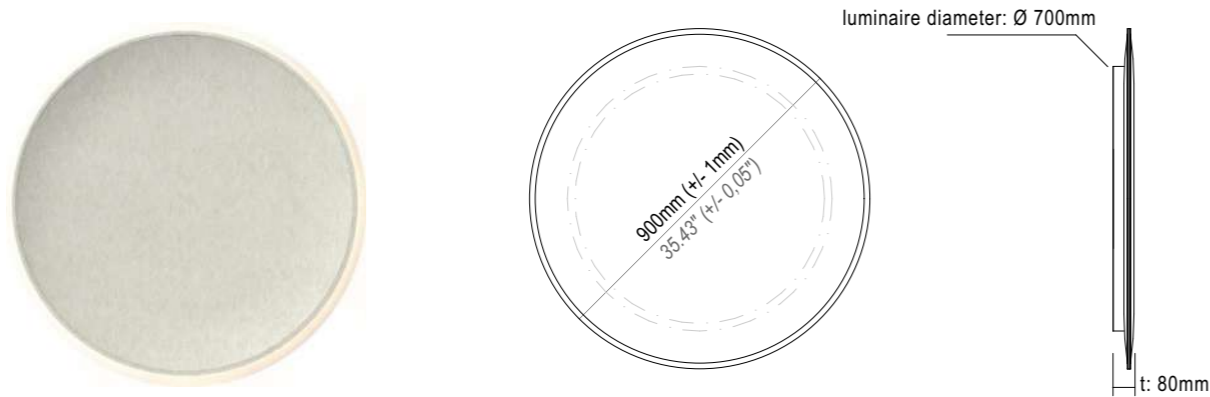


Rotund Wall Medium Acoustic Lighting



Ø: 900mm x Thickness: 80mm

LED / Opal diffuser / Indirect Only



Product Code / Description	Box Qty / m ²	Felt Color Palettes	Mounting Type
RML-60WLN - Inherent (With Lighting)	4 / 2.544 m ²		<p>Wall - Mounted</p>
RML-60WLC - Color-IT (With Lighting)	4 / 2.544 m ²		
Aluminium Body Colors 			
Luminaire: Ø 700mm 23W / 1840 lm Control Options: External Driver. ON/OFF, DALI, PushDim, Bluetooth. CRI>80 or CRI>90 Color Temperature: 2700K, 3000K or 4000K Diffuser Options: Opal ⚡ 220V / 240V LEDs 50/60Hz Lumen values are calculated at 4000K			

APPLICATION
Pendant Lighting - Indoor use only

MATERIAL
Mechanical needled punch industrial felt.
100% PET up to 60% Recycled content & Recyclable

FIRE RATING
A Class (ASTM E84) - B s1 d0 (EN 13501-1)

THERMAL INSULATION
0,035 W/mK

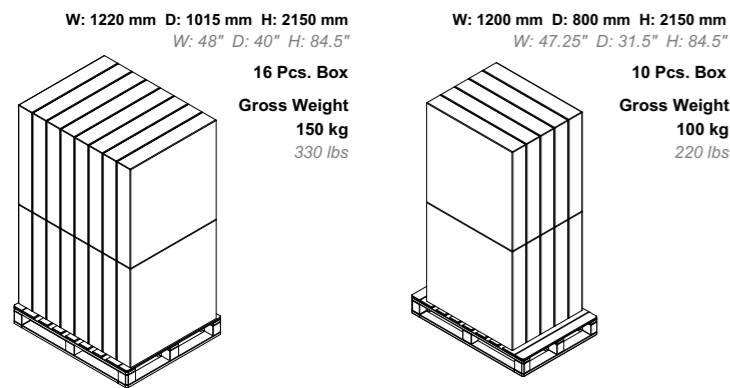
WEIGHT
1 unit: 1500 gr. +/- 10% tolerance
1 unit: 3.30 lbs with +/- 10% tolerance

THICKNESS

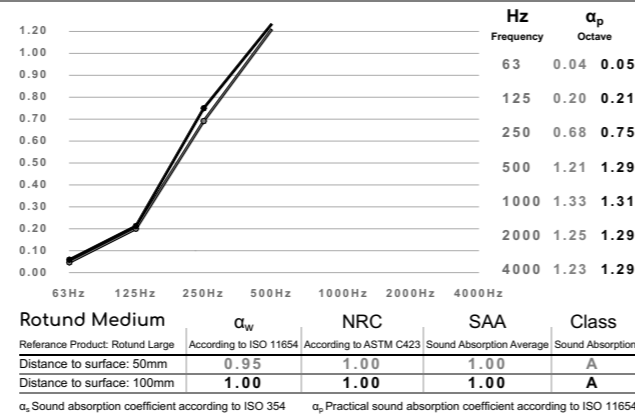
 Max. 30mm (+/- 2mm) - 1.18" (+/-0.08")
 Min. 8mm (+/- 2mm) - 0.31" (+/-0.08")
 Smooth Surface - Impact Resistance - Flexible

BOX SIZE & CONTENT
 W: 1220 mm D: 1220 mm H: 150 mm
 W: 48.03" D: 48.03" H: 5.90"
1 Box: 4 x panels
 1 Box: 2.544 m²
 1 Box: 27.383 ft²
1 Color of choice per package
 Gross weight: 8 kg
 Gross weight: 17.63 lbs

PALETTE SIZE & CONTENT



ACOUSTIC PERFORMANCE



Rotund Wall Large Acoustic Lighting



Ø: 1200mm x Thickness: 80mm

LED / Opal diffuser / Indirect Only



Product Code / Description	Box Qty / m ²	Felt Color Palettes	Mounting Type
RLL-60WLN - Inherent (With Lighting)	2 / 5.40 m ²		<p>Wall - Mounted</p>
RLL-60WLC - Color-IT (With Lighting)	2 / 5.40 m ²		
Aluminium Body Colors 			
Luminaire: Ø 1000mm 28W / 2240 lm Control Options: External Driver. ON/OFF, DALI, PushDim, Bluetooth. CRI>80 or CRI>90 Color Temperature: 2700K, 3000K or 4000K Diffuser Options: Opal ⚡ 220V / 240V LEDs 50/60Hz Lumen values are calculated at 4000K			

APPLICATION
Pendant Lighting - Indoor use only

MATERIAL
Mechanical needled punch industrial felt.
100% PET up to 60% Recycled content & Recyclable

FIRE RATING
A Class (ASTM E84) - B s1 d0 (EN 13501-1)

THERMAL INSULATION
0,035 W/mK

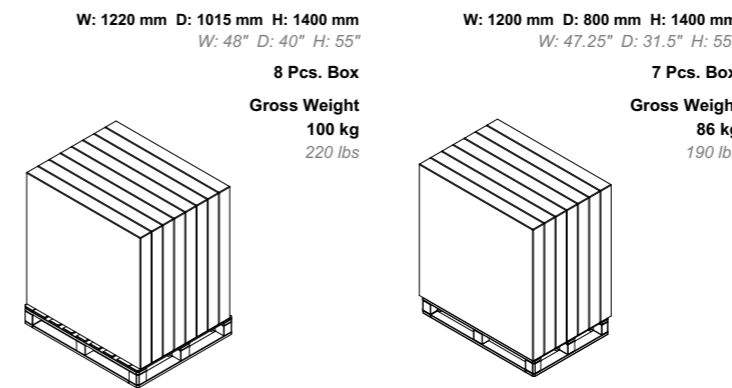
WEIGHT
1 unit: 4000 gr. +/- 10% tolerance
1 unit: 8.81 lbs with +/- 10% tolerance

THICKNESS

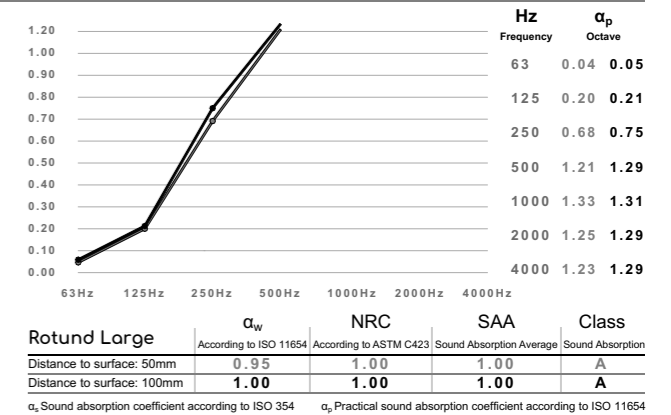
 Max. 45mm (+/- 2mm) - 1.77" (+/-0.08")
 Min. 8mm (+/- 2mm) - 0.31" (+/-0.08")
 Smooth Surface - Impact Resistance - Flexible

BOX SIZE & CONTENT
 W: 1220 mm D: 1220 mm H: 120 mm
 W: 48.03" D: 48.03" H: 4.72"
1 Box: 2 x panels
 1 Box: 2.26 m²
 1 Box: 24.32 ft²
1 Color of choice per package
 Gross weight: 10 kg
 Gross weight: 22.04 lbs

PALETTE SIZE & CONTENT



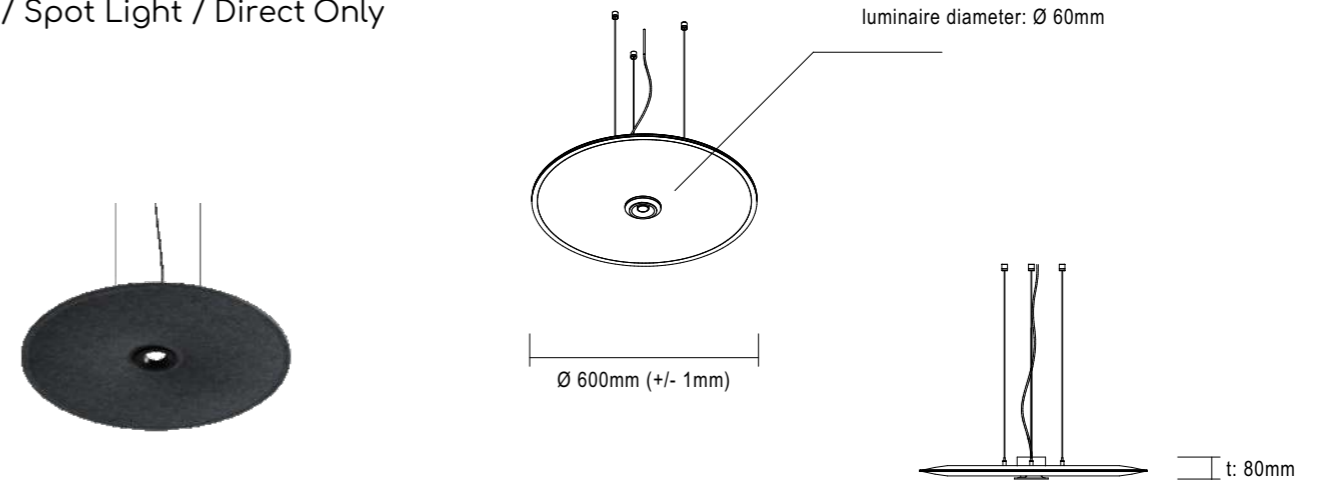
ACOUSTIC PERFORMANCE





Ø: 600mm x Thickness: 80mm

LED / Spot Light / Direct Only



Product Code / Description	Box Qty / m ²	Felt Color Palettes	Mounting Type
RSL-60ESN - Inherent (With Lighting)	4 / 1.132 m ²	<p>Inherent Color-IT</p>	<p>Multi-Point Pendant Single-Point Pendant</p>
RSL-60ESC - Color-IT (With Lighting)	4 / 1.132 m ²		
Aluminium Body Colors <p>Block Anthracite Grey White RAL Special Colors</p> <p>Luminaire: Ø 60mm 8W / 850 lm Control Options: External Driver. ON/OFF, DALI, PushDim, Bluetooth. CRI>80 or CRI>90 Color Temperature: 2700K, 3000K or 4000K Diffuser Options: Lenses CE 220V / 240V LEDs 50/60Hz Lumen values are calculated at 4000K</p>			

APPLICATION
Pendant Lighting - Indoor use only

MATERIAL
Mechanical needled punch industrial felt.
100% PET up to 60% Recycled content & Recyclable

FIRE RATING
A Class (ASTM E84) - B s1 d0 (EN 13501-1)

THERMAL INSULATION
0,035 W/mK

WEIGHT
1 unit: 700 gr. +/- 10% tolerance
1 unit: 1.54 lbs with +/- 10% tolerance

THICKNESS

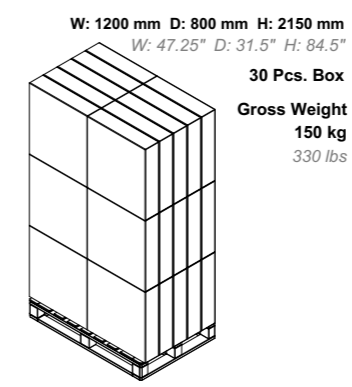
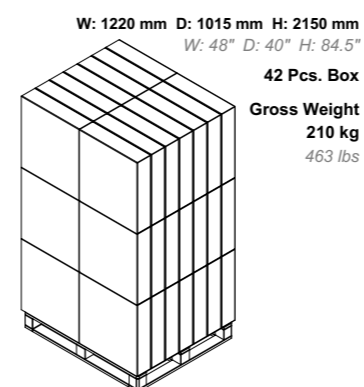
 Max. 30mm (+/- 2mm) - 1.18" (+/-0.08")
 Min. 8mm (+/- 2mm) - 0.31" (+/-0.08")
 Smooth Surface - Impact Resistance - Flexible

BOX SIZE & CONTENT
W: 620 mm D: 660 mm H: 150 mm
W: 24.5" D: 26" H: 5.9"

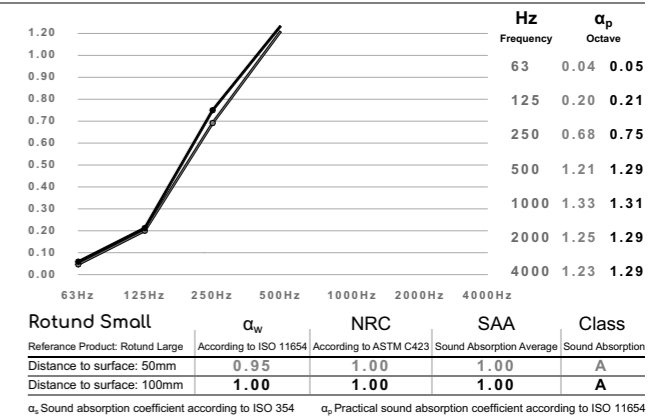
1 Box: 4 x panels
1 Box: 1.132 m²
1 Box: 12.185 ft²

1 Color of choice per package
Gross weight: 4.5 kg
Gross weight: 10.00 lbs

PALETTE SIZE & CONTENT



ACOUSTIC PERFORMANCE



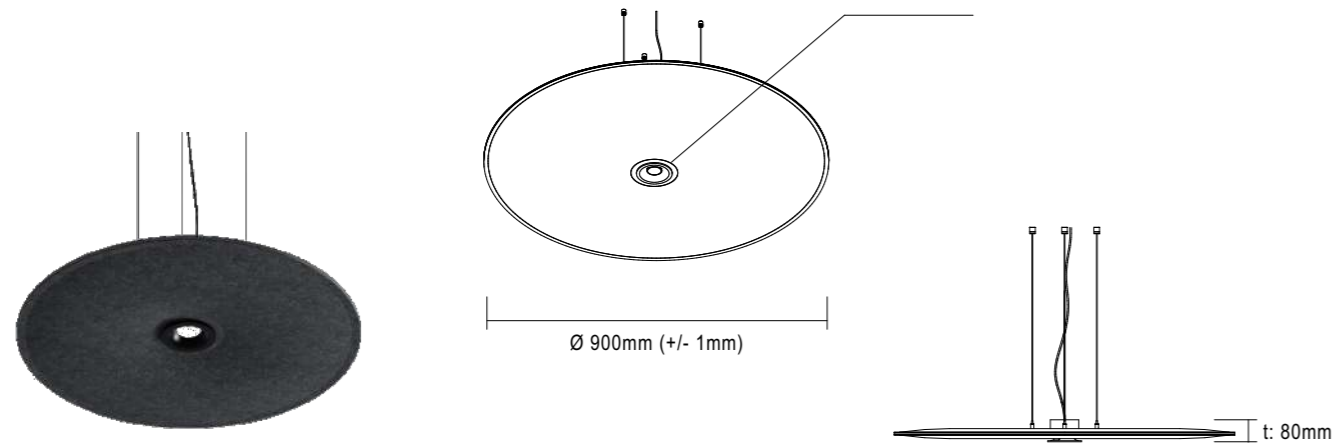
Rotund Eye Single Medium Acoustic Lighting



Ø: 900mm x Thickness: 80mm

LED / Spot Light / Direct Only

luminaire diameter: Ø 90mm



Product Code / Description	Box Qty / m ²	Felt Color Palettes	Mounting Type
RML-60ESN - Inherent (With Lighting)	4 / 2.544 m ²		
RML-60ESC - Color-IT (With Lighting)	4 / 2.544 m ²		
Aluminium Body Colors 			
Luminaire: Ø 90mm 8W / 850 lm Control Options: External Driver. ON/OFF, DALI, PushDim, Bluetooth. CRI>80 or CRI>90 Color Temperature: 2700K, 3000K or 4000K Diffuser Options: Lenses 220V / 240V LEDs 50/60Hz Lumen values are calculated at 4000K			

APPLICATION
Pendant Lighting - Indoor use only

MATERIAL
Mechanical needled punch industrial felt.
100% PET up to 60% Recycled content & Recyclable

FIRE RATING
A Class (ASTM E84) - B s1 d0 (EN 13501-1)

THERMAL INSULATION
0,035 W/mK

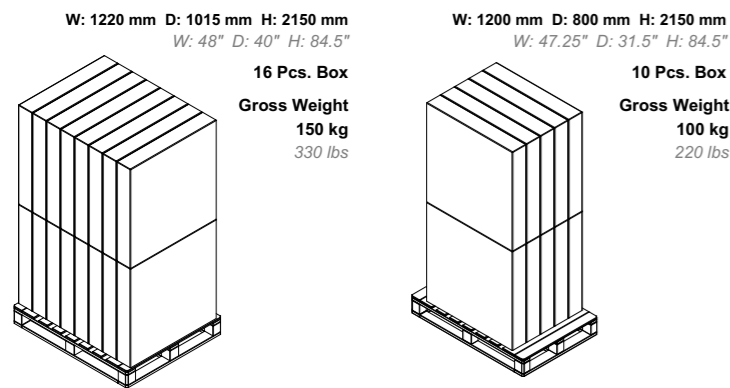
WEIGHT
1 unit: 1500 gr. +/- 10% tolerance
1 unit: 3.30 lbs with +/- 10% tolerance

THICKNESS

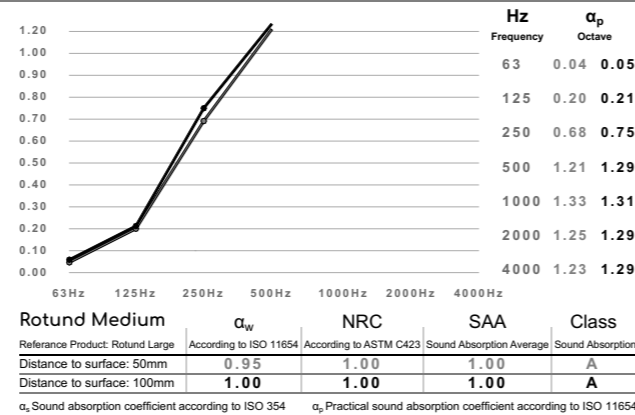
 Max. 30mm (+/- 2mm) - 1.18" (+/-0.08")
 Min. 8mm (+/- 2mm) - 0.31" (+/-0.08")
 Smooth Surface - Impact Resistance - Flexible

BOX SIZE & CONTENT
 W: 920 mm D: 920 mm H: 150 mm
 W: 36.22" D: 36.22" H: 5.90"
1 Box: 4 x panels
 1 Box: 2.544 m²
 1 Box: 27.383 ft²
1 Color of choice per package
 Gross weight: 8 kg
 Gross weight: 17.63 lbs

PALETTE SIZE & CONTENT



ACOUSTIC PERFORMANCE



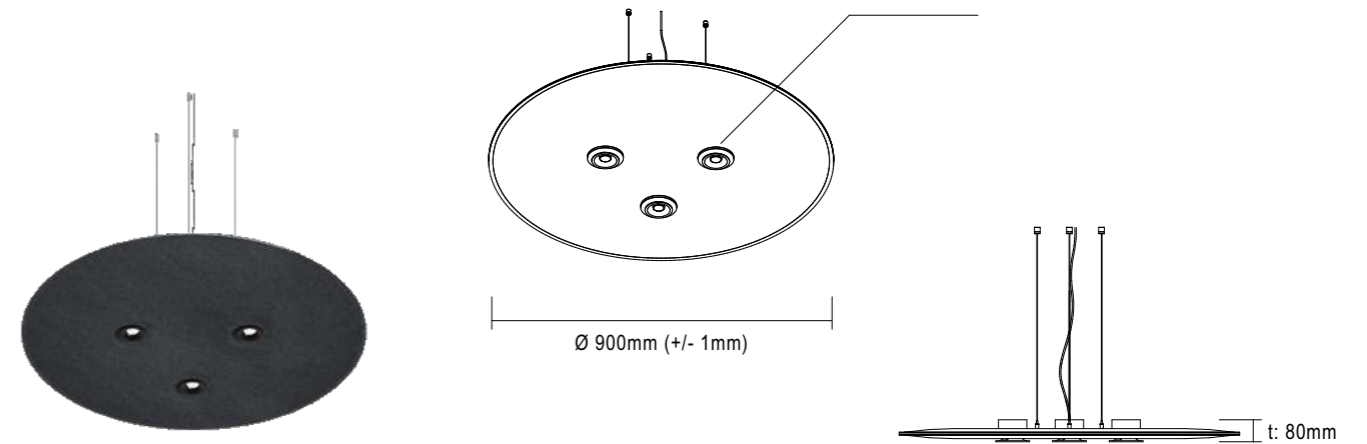
Rotund Eye Triple Medium Acoustic Lighting



Ø: 900mm x Thickness: 80mm

LED / Spot Light / Direct Only

luminaire diameter: Ø 90mm



Product Code / Description	Box Qty / m ²	Felt Color Palettes	Mounting Type
RML-60ETN - Inherent (With Lighting)	4 / 2.544 m ²		
RML-60ETC - Color-IT (With Lighting)	4 / 2.544 m ²		
Aluminium Body Colors 			
Luminaire: Ø 90mm 24W / 2550 lm Control Options: External Driver. ON/OFF, DALI, PushDim, Bluetooth. CRI>80 or CRI>90 Color Temperature: 2700K, 3000K or 4000K Diffuser Options: Lenses 220V / 240V LEDs 50/60Hz Lumen values are calculated at 4000K			

APPLICATION
Pendant Lighting - Indoor use only

MATERIAL
Mechanical needled punch industrial felt.
100% PET up to 60% Recycled content & Recyclable

FIRE RATING
A Class (ASTM E84) - B s1 d0 (EN 13501-1)

THERMAL INSULATION
0,035 W/mK

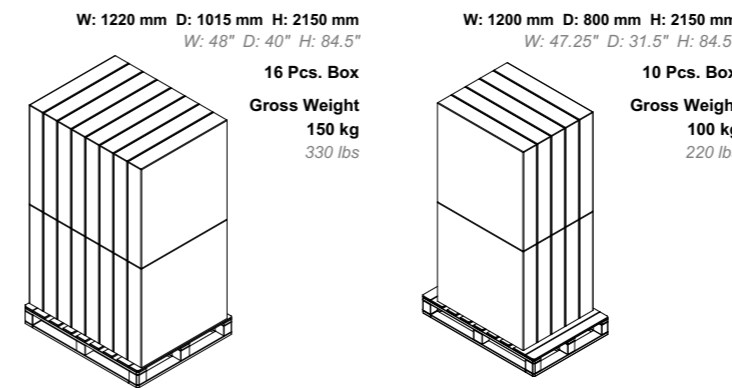
WEIGHT
1 unit: 1500 gr. +/- 10% tolerance
1 unit: 3.30 lbs with +/- 10% tolerance

THICKNESS

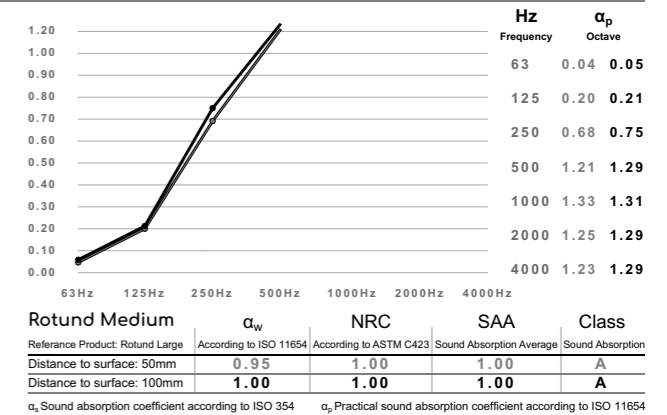
 Max. 30mm (+/- 2mm) - 1.18" (+/-0.08")
 Min. 8mm (+/- 2mm) - 0.31" (+/-0.08")
 Smooth Surface - Impact Resistance - Flexible

BOX SIZE & CONTENT
 W: 920 mm D: 920 mm H: 150 mm
 W: 36.22" D: 36.22" H: 5.90"
1 Box: 4 x panels
 1 Box: 2.544 m²
 1 Box: 27.383 ft²
1 Color of choice per package
 Gross weight: 8 kg
 Gross weight: 17.63 lbs

PALETTE SIZE & CONTENT



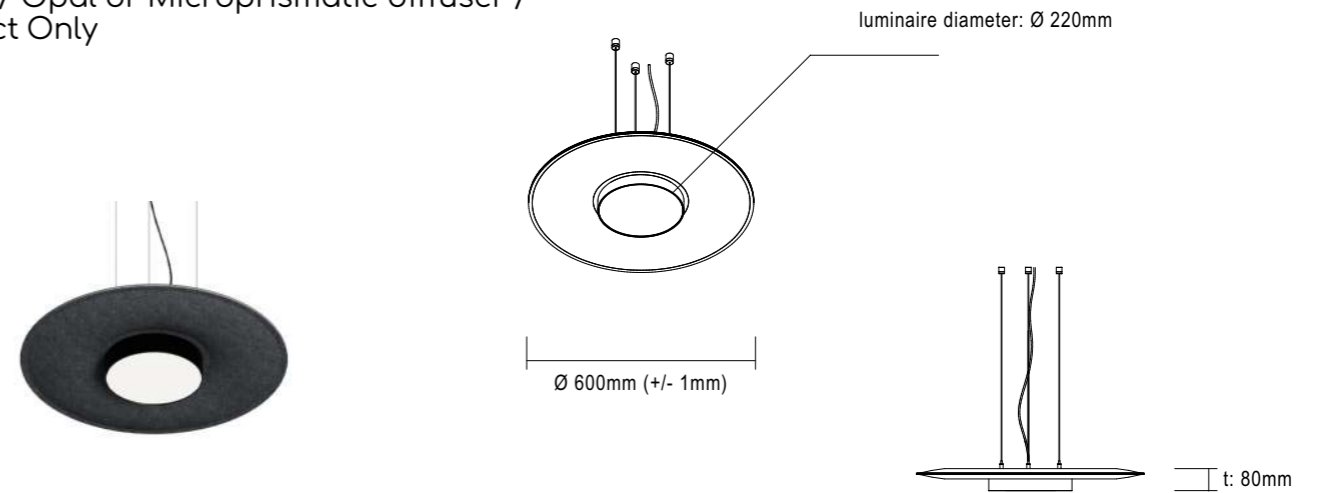
ACOUSTIC PERFORMANCE





Ø: 600mm x Thickness: 80mm

LED / Opal or Microprismatic diffuser / Direct Only



Product Code / Description	Box Qty / m ²	Felt Color Palettes	Mounting Type
RSL-60DSN - Inherent (With Lighting)	4 / 1.132 m ²	<p>Inherent Color-IT</p>	<p>Multi-Point Pendant</p> <p>Single-Point Pendant</p>
RSL-60DSC - Color-IT (With Lighting)	4 / 1.132 m ²		
Aluminium Body Colors <p>Black Anthracite Gray White RAL Special Colors</p> <p>Luminaire: Ø 220mm 18W / 1980 lm Control Options: External Driver. ON/OFF, DALI, PushDim, Bluetooth. CRI>80 or CRI>90 Color Temperature: 2700K, 3000K or 4000K Diffuser Options: Microprismatic or Opal CE 220V / 240V LEDs 50/60Hz Lumen values are calculated at 4000K</p>			

APPLICATION Pendant Lighting - Indoor use only MATERIAL Mechanical needled punch industrial felt. 100% PET up to 60% Recycled content & Recyclable FIRE RATING A Class (ASTM E84) - B s1 d0 (EN 13501-1) THERMAL INSULATION 0,035 W/mK	WEIGHT 1 unit: 700 gr. +/- 10% tolerance 1 unit: 1.54 lbs with +/- 10% tolerance THICKNESS Max. 30mm (+/- 2mm) - 1.18" (+/- 0.08") Min. 8mm (+/- 2mm) - 0.31" (+/- 0.08") Smooth Surface - Impact Resistance - Flexible	BOX SIZE & CONTENT W: 620 mm D: 660 mm H: 150 mm W: 24.5" D: 26" H: 5.9" 1 Box: 4 x panels 1 Box: 1.132 m ² 1 Box: 12.185 ft ² 1 Color of choice per package Gross weight: 4.5 kg Gross weight: 10.00 lbs
--	---	--

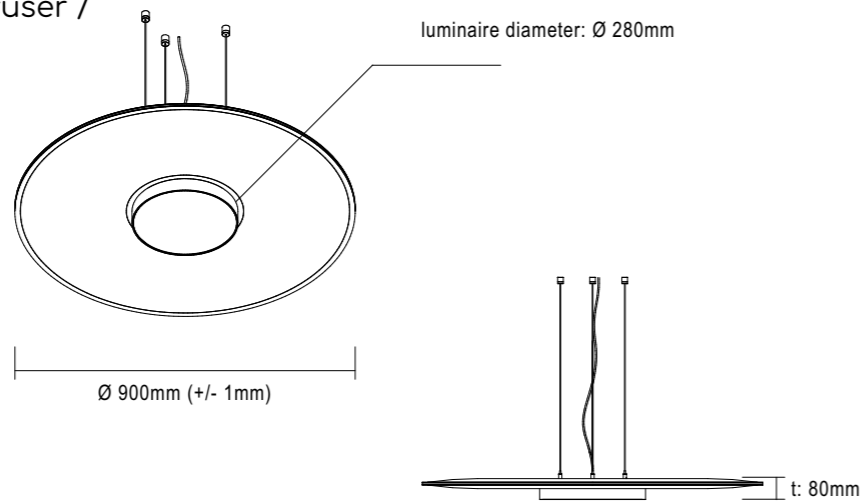
PALETTE SIZE & CONTENT		ACOUSTIC PERFORMANCE																																									
W: 1220 mm D: 1015 mm H: 2150 mm W: 48" D: 40" H: 84.5" 42 Pcs. Box Gross Weight 210 kg 463 lbs	W: 1200 mm D: 800 mm H: 2150 mm W: 47.25" D: 31.5" H: 84.5" 30 Pcs. Box Gross Weight 150 kg 330 lbs		<table border="1"> <thead> <tr> <th>Hz Frequency</th> <th>α_w</th> <th>NRC</th> <th>SAA</th> <th>Class</th> </tr> </thead> <tbody> <tr> <td>63</td> <td>0.04</td> <td>0.05</td> <td></td> <td></td> </tr> <tr> <td>125</td> <td>0.20</td> <td>0.21</td> <td></td> <td></td> </tr> <tr> <td>250</td> <td>0.68</td> <td>0.75</td> <td></td> <td></td> </tr> <tr> <td>500</td> <td>1.21</td> <td>1.29</td> <td></td> <td></td> </tr> <tr> <td>1000</td> <td>1.33</td> <td>1.31</td> <td></td> <td></td> </tr> <tr> <td>2000</td> <td>1.25</td> <td>1.29</td> <td></td> <td></td> </tr> <tr> <td>4000</td> <td>1.23</td> <td>1.29</td> <td></td> <td></td> </tr> </tbody> </table>	Hz Frequency	α _w	NRC	SAA	Class	63	0.04	0.05			125	0.20	0.21			250	0.68	0.75			500	1.21	1.29			1000	1.33	1.31			2000	1.25	1.29			4000	1.23	1.29		
Hz Frequency	α _w	NRC	SAA	Class																																							
63	0.04	0.05																																									
125	0.20	0.21																																									
250	0.68	0.75																																									
500	1.21	1.29																																									
1000	1.33	1.31																																									
2000	1.25	1.29																																									
4000	1.23	1.29																																									
Rotund Small Reference Product: Rotund Large Distance to surface: 50mm Distance to surface: 100mm		According to ISO 11654 α _w 0.95 1.00 According to ASTM C423 Sound Absorption Average NRC 1.00 1.00 SAA 1.00 1.00 Class A A																																									

Rotund Disc Medium Acoustic Lighting



Ø: 900mm x Thickness: 80mm

LED / Opal or Microprismatic diffuser / Direct Only



Product Code / Description	Box Qty / m ²	Felt Color Palettes	Mounting Type
RML-60DSN - Inherent (With Lighting)	4 / 2.544 m ²		
RML-60DSC - Color-IT (With Lighting)	4 / 2.544 m ²		
Aluminium Body Colors 			
Luminaire: Ø 280mm 23W / 2530 lm Control Options: External Driver. ON/OFF, DALI, PushDim, Bluetooth. CRI>80 or CRI>90 Color Temperature: 2700K, 3000K or 4000K Diffuser Options: Microprismatic or Opal CE 220V / 240V LEDs 50/60Hz Lumen values are calculated at 4000K			

APPLICATION
Pendant Lighting - Indoor use only

MATERIAL
Mechanical needled punch industrial felt.
100% PET up to 60% Recycled content & Recyclable

FIRE RATING
A Class (ASTM E84) - B s1 d0 (EN 13501-1)

THERMAL INSULATION
0,035 W/mK

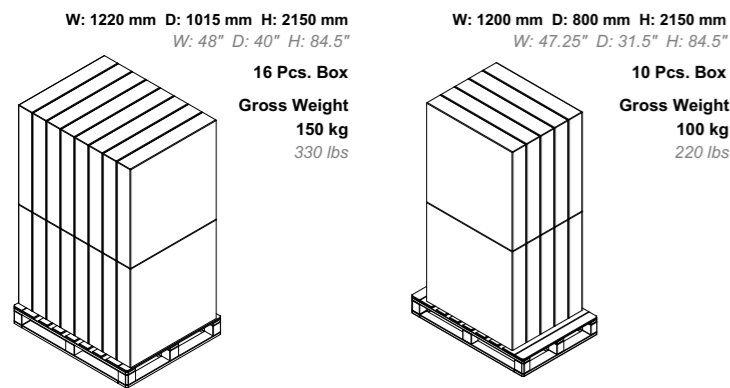
WEIGHT
1 unit: 1500 gr. +/- 10% tolerance
1 unit: 3.30 lbs with +/- 10% tolerance

THICKNESS

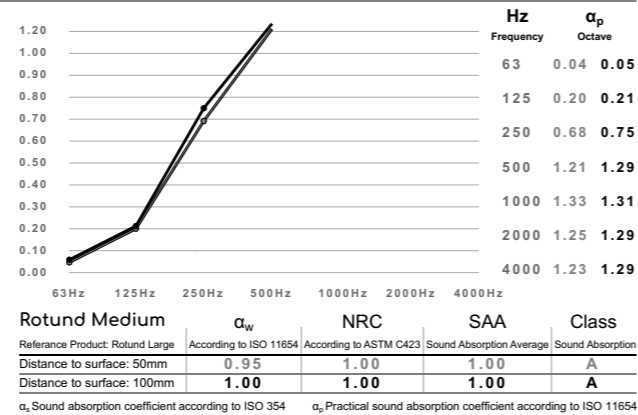
 Max. 30mm (+/- 2mm) - 1.18" (+/-0.08")
 Min. 8mm (+/- 2mm) - 0.31" (+/-0.08")
 Smooth Surface - Impact Resistance - Flexible

BOX SIZE & CONTENT
 W: 920 mm D: 920 mm H: 150 mm
 W: 36.22" D: 36.22" H: 5.90"
1 Box: 4 x panels
 1 Box: 2.544 m²
 1 Box: 27.383 ft²
1 Color of choice per package
 Gross weight: 8 kg
 Gross weight: 17.63 lbs

PALETTE SIZE & CONTENT



ACOUSTIC PERFORMANCE

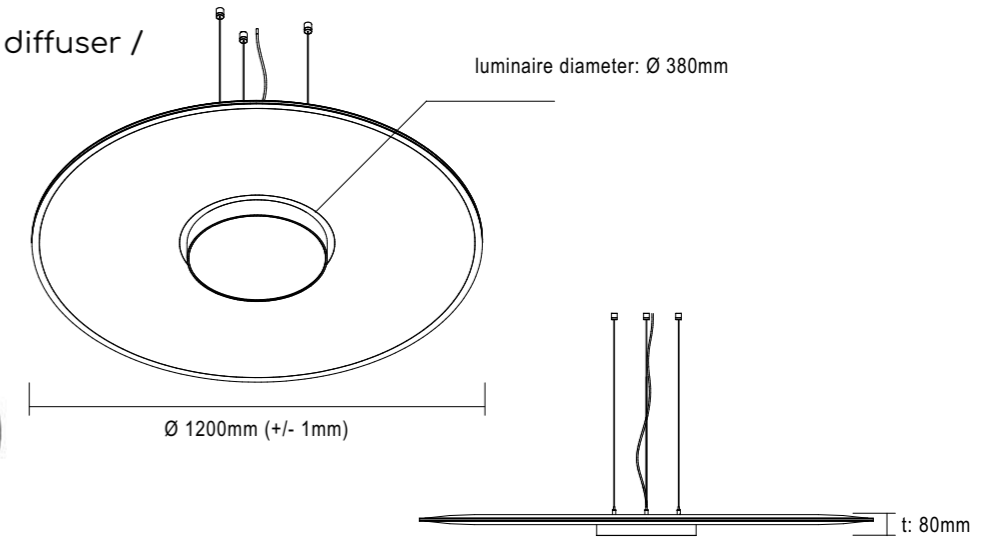


Rotund Disc Large Acoustic Lighting



Ø: 1200mm x Thickness: 80mm

LED / Opal or Microprismatic diffuser / Direct Only



Product Code / Description	Box Qty / m ²	Felt Color Palettes	Mounting Type
RLL-60DSN - Inherent (With Lighting)	2 / 5.40 m ²		
RLL-60DSC - Color-IT (With Lighting)	2 / 5.40 m ²		
Aluminium Body Colors 			
Luminaire: Ø 380mm 36W / 3960 lm Control Options: External Driver. ON/OFF, DALI, PushDim, Bluetooth. CRI>80 or CRI>90 Color Temperature: 2700K, 3000K or 4000K Diffuser Options: Microprismatic or Opal CE 220V / 240V LEDs 50/60Hz Lumen values are calculated at 4000K			

APPLICATION
Pendant Lighting - Indoor use only

MATERIAL
Mechanical needled punch industrial felt.
100% PET up to 60% Recycled content & Recyclable

FIRE RATING
A Class (ASTM E84) - B s1 d0 (EN 13501-1)

THERMAL INSULATION
0,035 W/mK

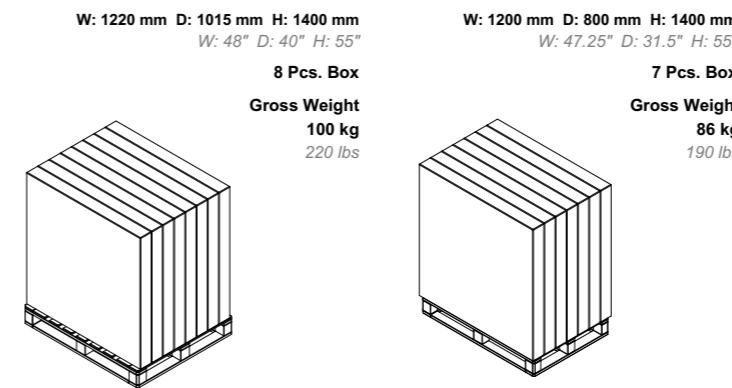
WEIGHT
1 unit: 4000 gr. +/- 10% tolerance
1 unit: 8.81 lbs with +/- 10% tolerance

THICKNESS

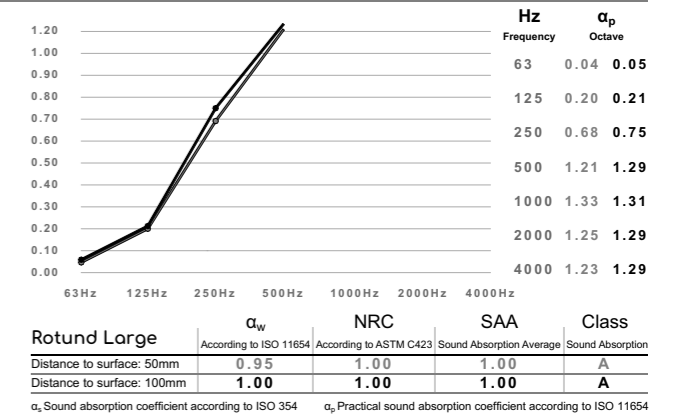
 Max. 45mm (+/- 2mm) - 1.77" (+/-0.08")
 Min. 8mm (+/- 2mm) - 0.31" (+/-0.08")
 Smooth Surface - Impact Resistance - Flexible

BOX SIZE & CONTENT
 W: 1220 mm D: 1220 mm H: 120 mm
 W: 48.03" D: 48.03" H: 4.72"
1 Box: 2 x panels
 1 Box: 2.26 m²
 1 Box: 24.32 ft²
1 Color of choice per package
 Gross weight: 10 kg
 Gross weight: 22.04 lbs

PALETTE SIZE & CONTENT



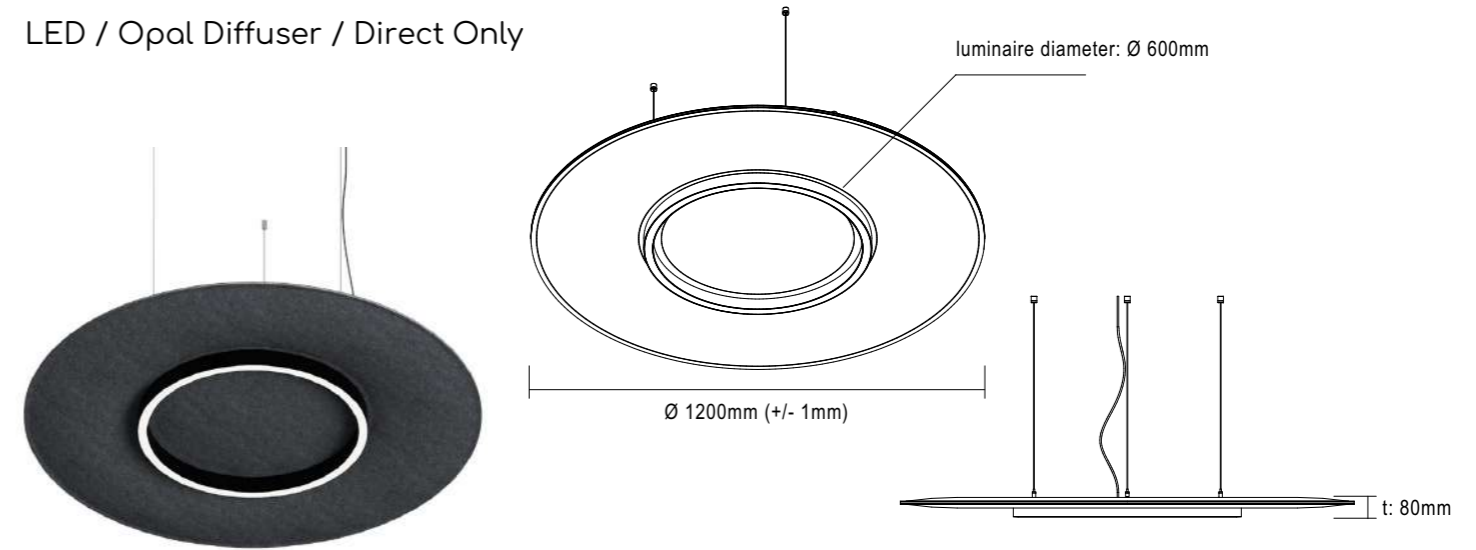
ACOUSTIC PERFORMANCE





Ø: 1200mm x Thickness: 78mm

LED / Opal Diffuser / Direct Only



Product Code / Description	Box Qty / m ²	Felt Color Palettes	Mounting Type
RLL-60RGN - Inherent (With Lighting)	2 / 5.40 m ²		
RLL-60RGC - Color-IT (With Lighting)	2 / 5.40 m ²		
Aluminium Body Colors 			
Luminaire: Ø 600mm 39W / 2370 lm Control Options: External Driver. ON/OFF, DALI, PushDim, Bluetooth. CRI>80 or CRI>90 Color Temperature: 2700K, 3000K or 4000K Diffuser Options: Opal CE 220V / 240V LEDs 50/60Hz Lumen values are calculated at 4000K			

APPLICATION
Pendant Lighting - Indoor use only

MATERIAL
Mechanical needled punch industrial felt.
100% PET up to 60% Recycled content & Recyclable

FIRE RATING
A Class (ASTM E84) - B s1 d0 (EN 13501-1)

THERMAL INSULATION
0,035 W/mK

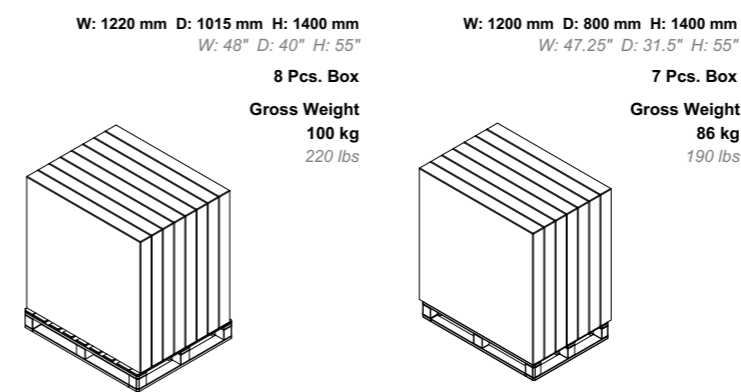
WEIGHT
1 unit: 4000 gr. +/- 10% tolerance
1 unit: 8.81 lbs with +/- 10% tolerance

THICKNESS

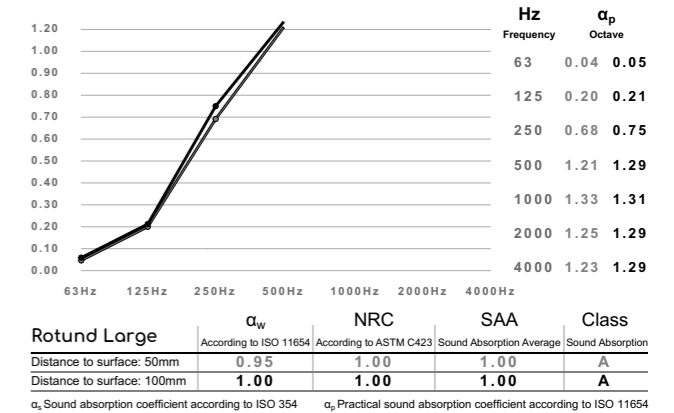
 Max. 45mm (+/- 2mm) - 1.77" (+/-0.08")
 Min. 8mm (+/- 2mm) - 0.31" (+/-0.08")
 Smooth Surface - Impact Resistance - Flexible

BOX SIZE & CONTENT
 W: 1220 mm D: 1220 mm H: 120 mm
 W: 48.03" D: 48.03" H: 4.72"
1 Box: 2 x panels
 1 Box: 2.26 m²
 1 Box: 24.32 ft²
1 Color of choice per package
 Gross weight: 10 kg
 Gross weight: 22.04 lbs

PALETTE SIZE & CONTENT



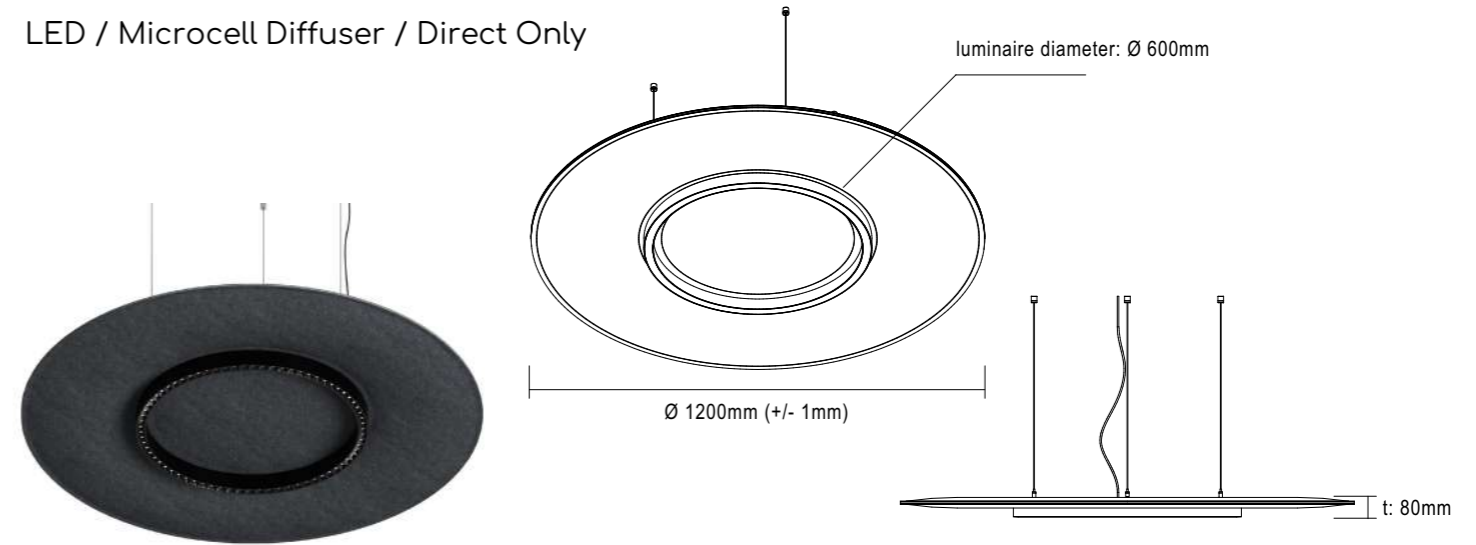
ACOUSTIC PERFORMANCE





Ø: 1200mm x Thickness: 80mm

LED / Microcell Diffuser / Direct Only



Product Code / Description	Box Qty / m ²	Felt Color Palettes	Mounting Type
RLL-60RDN - Inherent (With Lighting)	2 / 5.40 m ²	<p>Inherent Color-IT</p>	<p>Multi-Point Pendant Single-Point Pendant</p>
RLL-60RDC - Color-IT (With Lighting)	2 / 5.40 m ²		
Aluminium Body Colors <p>Black Anthracite Gray White Special Colors</p>			
Luminaire: Ø 600mm 27W / 2700 lm Control Options: External Driver. ON/OFF, DALI, PushDim, Bluetooth. CRI>80 or CRI>90 Color Temperature: 3000K or 4000K Diffuser Options: Lenses CE 220V / 240V LEDs 50/60Hz Lumen values are calculated at 4000K			

APPLICATION
Pendant Lighting - Indoor use only

MATERIAL
Mechanical needled punch industrial felt.
100% PET up to 60% Recycled content & Recyclable

FIRE RATING
A Class (ASTM E84) - B s1 d0 (EN 13501-1)

THERMAL INSULATION
0,035 W/mK

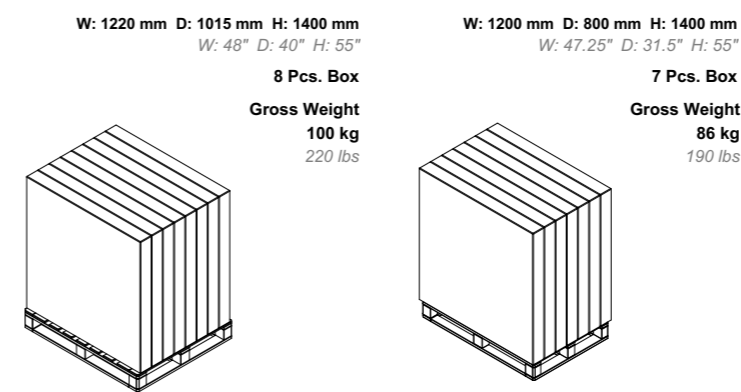
WEIGHT
1 unit: 4000 gr. +/- 10% tolerance
1 unit: 8.81 lbs with +/- 10% tolerance

THICKNESS

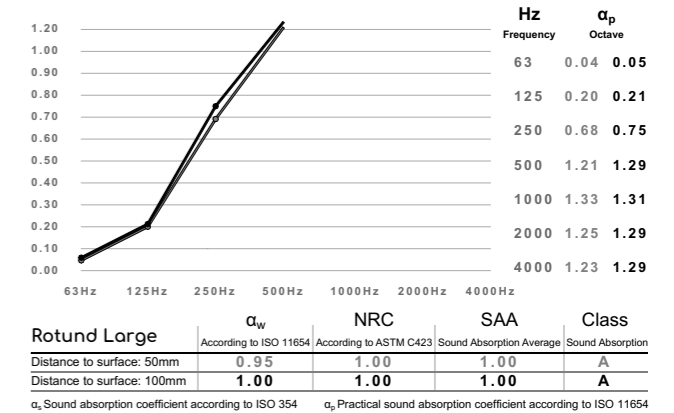
 Max. 45mm (+/- 2mm) - 1.77" (+/-0.08")
 Min. 8mm (+/- 2mm) - 0.31" (+/-0.08")
 Smooth Surface - Impact Resistance - Flexible

BOX SIZE & CONTENT
 W: 1220 mm D: 1220 mm H: 120 mm
 W: 48.03" D: 48.03" H: 4.72"
1 Box: 2 x panels
 1 Box: 2.26 m²
 1 Box: 24.32 ft²
1 Color of choice per package
 Gross weight: 10 kg
 Gross weight: 22.04 lbs

PALETTE SIZE & CONTENT



ACOUSTIC PERFORMANCE





Sound Clouds

Oblong & Frame Sound Clouds deliver Class-A acoustic performance for superior noise reduction.

These versatile clouds are ideal for both ceiling and wall applications, enhancing sound quality while adding modern aesthetic appeal.

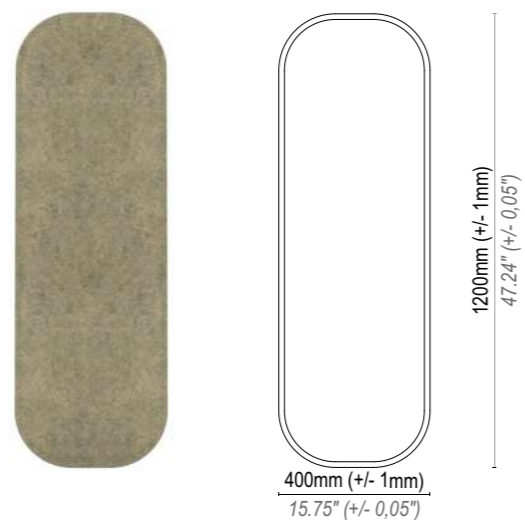


Oblong X Small Sound-Absorbing Wall Panel

400mm x 1200mm Thickness: 30mm



WALL



Product Code / Description	Box Qty / m ²	Felt Color Palettes	Mounting Brackets
OKW-30AAN - Inherent (Panel Only)	12 / 5.532 m ²		
OKW-30MBN - Inherent + Mounting Brackets	12 / 5.532 m ²		
OKW-30AAC - Color-IT (Panel Only)	12 / 5.532 m ²		
OKW-30MBC - Color-IT + Mounting Brackets	12 / 5.532 m ²		

APPLICATION
Wall & Ceiling - Indoor use only

MATERIAL
Mechanical needled punch industrial felt.
100% PET up to 60% Recycled content & Recyclable

FIRE RATING
A Class (ASTM E84) - B s1 d0 (EN 13501-1)

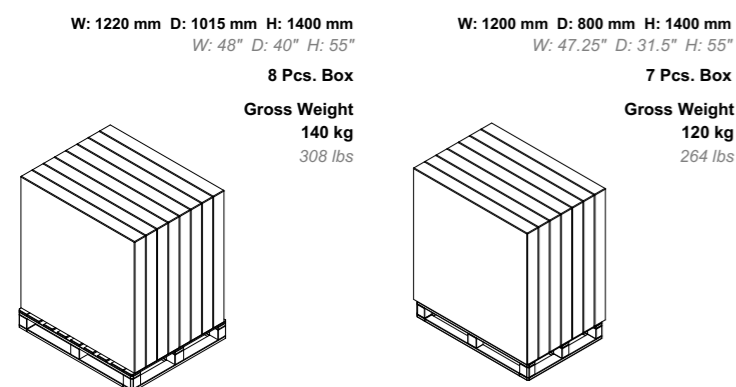
THERMAL INSULATION
0,035 W/mK

WEIGHT
1 tile: 1050 gr. +/- 10% tolerance
1 tile: 2.31 lbs with +/- 10% tolerance

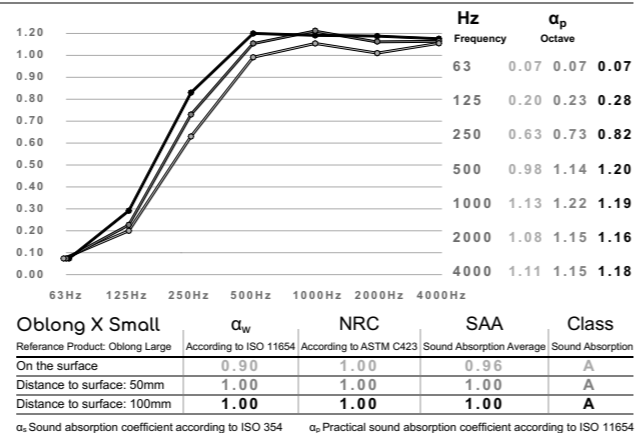
THICKNESS
Max. 30mm (+/- 2mm) - 1.18" (+/- 0.08")
Min. 8mm (+/- 2mm) - 0.31" (+/- 0.08")
Smooth Surface - Impact Resistance - Flexible

BOX SIZE & CONTENT
W: 1220 mm D: 1220 mm H: 150 mm
W: 48.03" D: 48.03" H: 5.9"
1 Box: 12 x panels
1 Box: 5.53 m²
1 Box: 59.52 ft²
1 Color of choice per package
Gross weight: 15 kg
Gross weight: 33.07 lbs

PALETTE SIZE & CONTENT



ACOUSTIC PERFORMANCE



Oblong X Small Sound-Absorbing Ceiling Pendant

400mm x 1200mm Thickness: 30mm

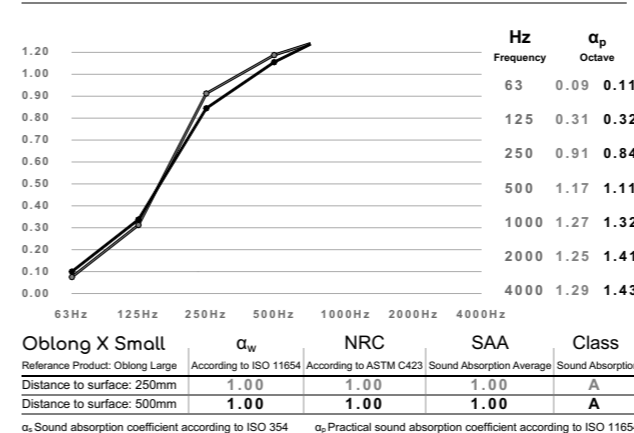


SOUND CLOUD

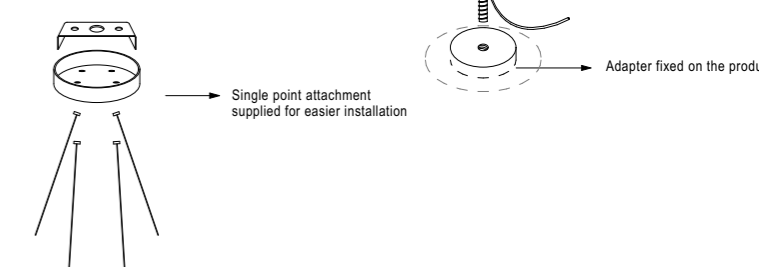


Product Code / Description	Box Qty / m ²	Felt Color Palettes	Hng. Wires + Unifier Ring
OXH-30HSN - Inherent + Hanging Set	12 / 5.532 m ²		
OXH-30HUN - Inherent + Hanging Set + Uni. Ring	12 / 5.532 m ²		
OXH-30HSC - Color-IT + Hanging Set	12 / 5.532 m ²		
OXH-30HUC - Color-IT + Hanging Set + Uni. Ring	12 / 5.532 m ²		

ACOUSTIC PERFORMANCE



Unifier Ring



Oblong Small Sound-Absorbing Wall Panel

600mm x 1200mm Thickness: 30mm



WALL



Product Code / Description	Box Qty / m ²	Felt Color Palettes	Mounting Brackets
OSW-30AAN - Inherent (Panel Only)	4 / 2.804 m ²		
OSW-30MBN - Inherent + Mounting Brackets	4 / 2.804 m ²		
OSW-30AAC - Color-IT (Panel Only)	4 / 2.804 m ²		
OSW-30MBC - Color-IT + Mounting Brackets	4 / 2.804 m ²		

APPLICATION
Wall & Ceiling - Indoor use only

MATERIAL
Mechanical needled punch industrial felt.
100% PET up to 60% Recycled content & Recyclable

FIRE RATING
A Class (ASTM E84) - B s1 d0 (EN 13501-1)

THERMAL INSULATION
0,035 W/mK

WEIGHT
1 unit: 2450 gr. +/- 10% tolerance
1 unit: 5.40 lbs with +/- 10% tolerance

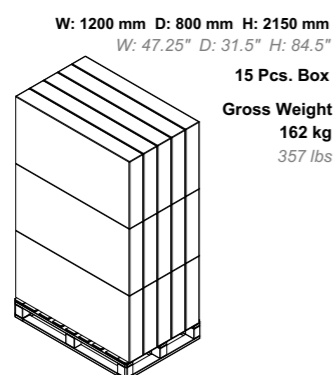
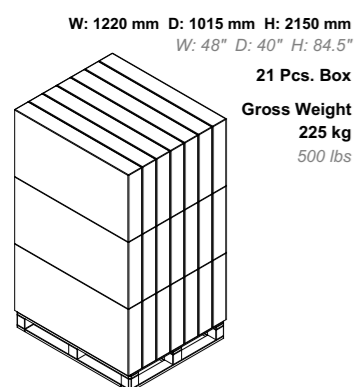
THICKNESS
Max. 30mm (+/- 2mm) - 1.18" (+/- 0.08")
Min. 8mm (+/- 2mm) - 0.31" (+/- 0.08")
Smooth Surface - Impact Resistance - Flexible

BOX SIZE & CONTENT
W: 620 mm D: 1220 mm H: 150 mm
W: 24.5" D: 48.03" H: 5.9"

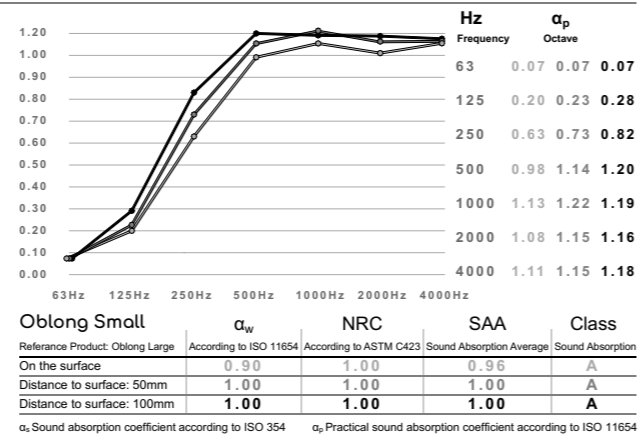
1 Box: 4 x panels
1 Box: 2.804 m²
1 Box: 30.182 ft²

1 Color of choice per package
Gross weight: 9.8 kg
Gross weight: 21.61 lbs

PALETTE SIZE & CONTENT



ACOUSTIC PERFORMANCE

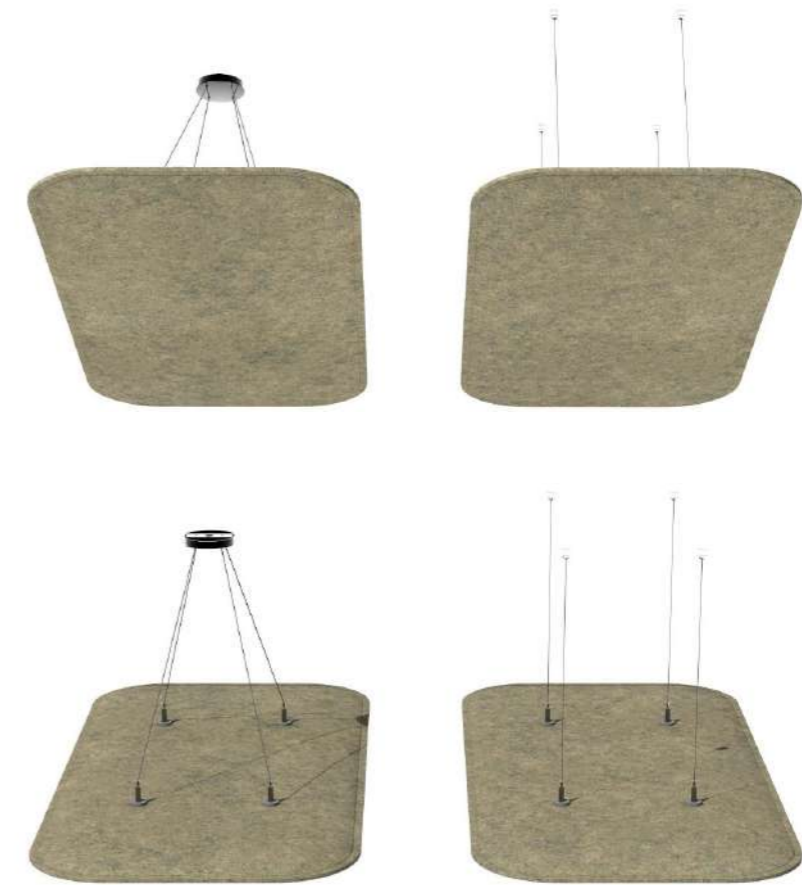


Oblong Small Sound-Absorbing Ceiling Pendant

600mm x 1200mm Thickness: 30mm

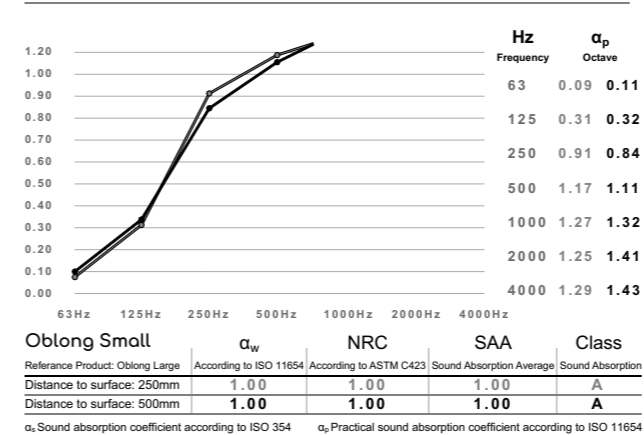


SOUND CLOUD

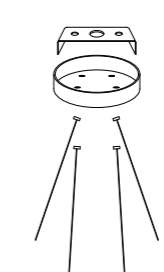


Product Code / Description	Box Qty / m ²	Felt Color Palettes	Hng. Wires + Unifier Ring
OSH-30HSN - Inherent + Hanging Set	4 / 2.804 m ²		
OSH-30HUN - Inherent + Hanging Set + Uni. Ring	4 / 2.804 m ²		
OSH-30HSC - Color-IT + Hanging Set	4 / 2.804 m ²		
OSH-30HUC - Color-IT + Hanging Set + Uni. Ring	4 / 2.804 m ²		

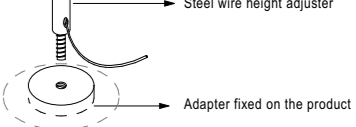
ACOUSTIC PERFORMANCE



Unifier Ring



Single point attachment supplied for easier installation

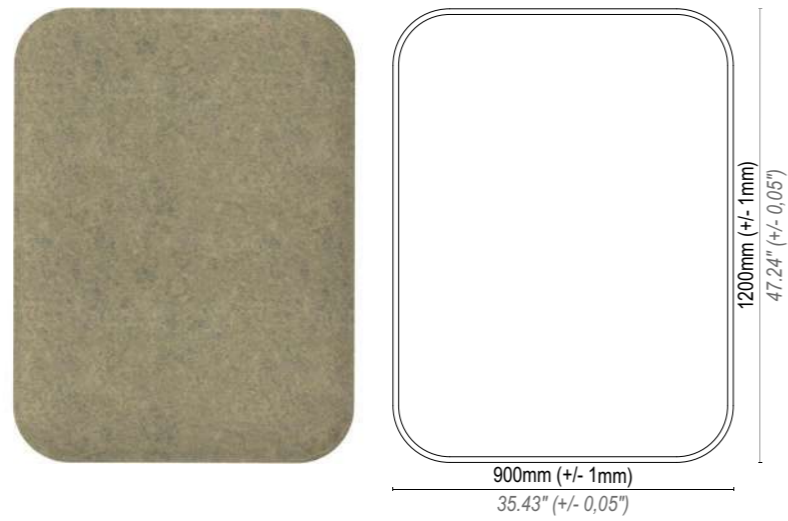


Oblong Medium Sound-Absorbing Wall Panel



900mm x 1200mm Thickness: 30mm

WALL



Product Code / Description	Box Qty / m ²	Felt Color Palettes	Mounting Brackets
OMW-30AAN - Inherent (Panel Only)	4 / 4.244 m ²		
OMW-30MBN - Inherent + Mounting Brackets	4 / 4.244 m ²		
OMW-30AAC - Color-IT (Panel Only)	4 / 4.244 m ²		
OMW-30MBC - Color-IT + Mounting Brackets	4 / 4.244 m ²		

APPLICATION
Wall & Ceiling - Indoor use only

MATERIAL
Mechanical needled punch industrial felt.
100% PET up to 60% Recycled content & Recyclable

FIRE RATING
A Class (ASTM E84) - B s1 d0 (EN 13501-1)

THERMAL INSULATION
0,035 W/mK

WEIGHT
1 unit: 3715 gr. +/- 10% tolerance
1 unit: 8.19 lbs with +/- 10% tolerance

THICKNESS

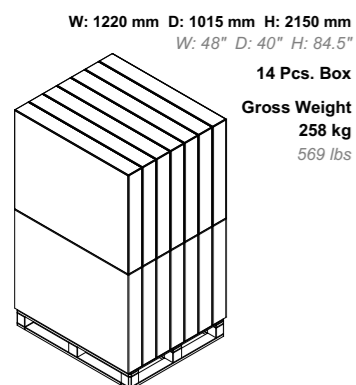
Max. 30mm (+/- 2mm) - 1.18" (+/- 0.08")
Min. 8mm (+/- 2mm) - 0.31" (+/- 0.08")
Smooth Surface - Impact Resistance - Flexible

BOX SIZE & CONTENT
W: 920 mm D: 1220 mm H: 150 mm
W: 36.22" D: 48.03" H: 5.9"

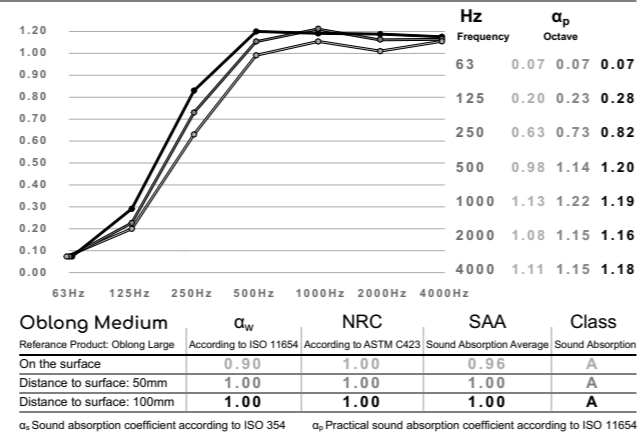
1 Box: 4 x panels
1 Box: 4.244 m²
1 Box: 45.861 ft²

1 Color of choice per package
Gross weight: 17 kg
Gross weight: 38.00 lbs

PALETTE SIZE & CONTENT



ACOUSTIC PERFORMANCE

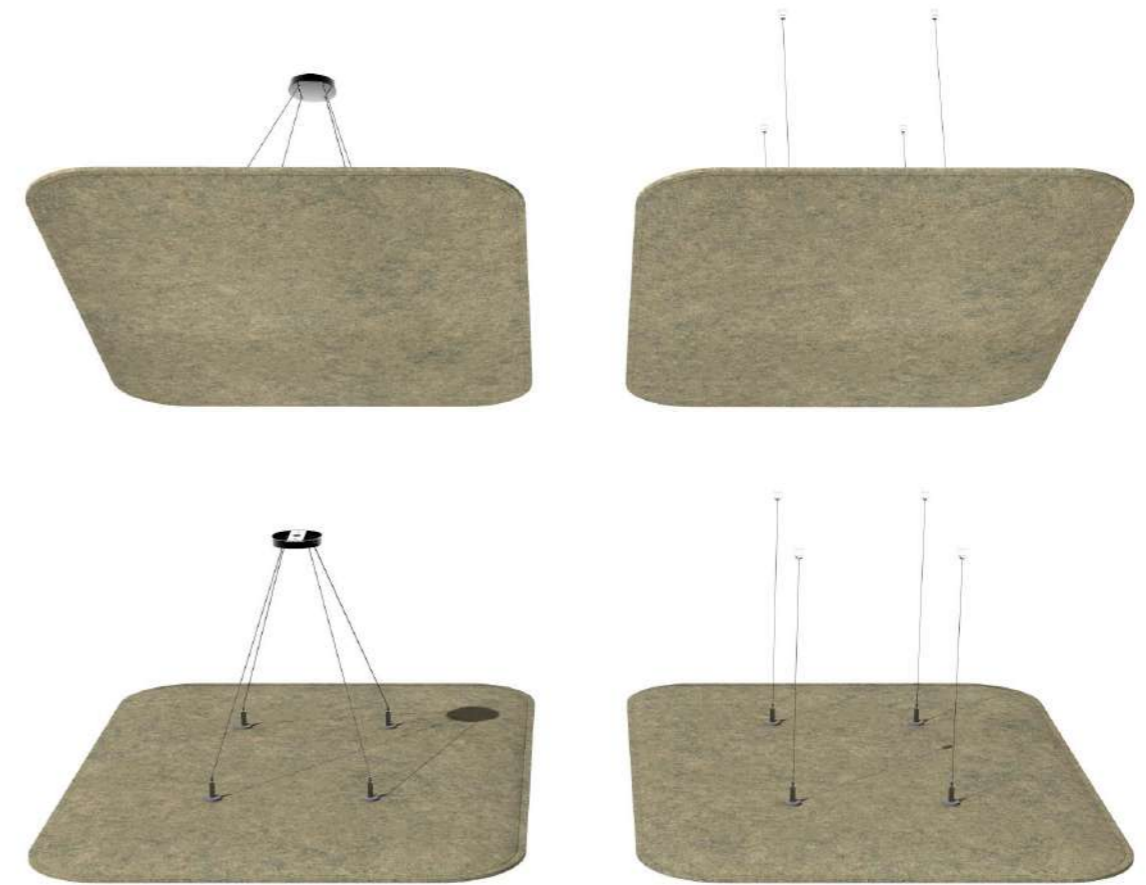


Oblong Medium Sound-Absorbing Ceiling Pendant



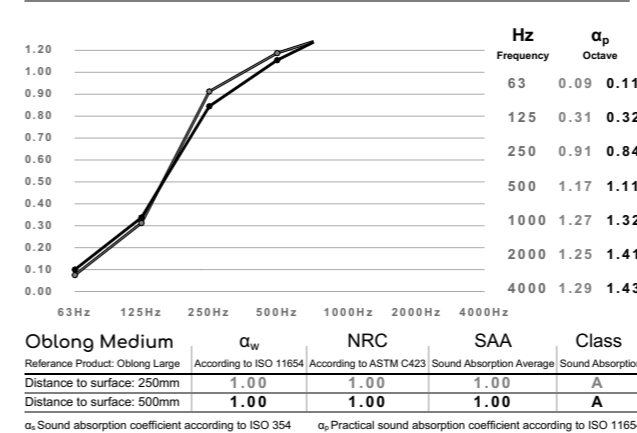
900mm x 1200mm Thickness: 30mm

SOUND CLOUD

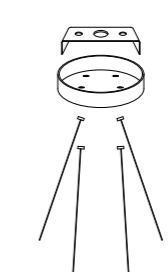


Product Code / Description	Box Qty / m ²	Felt Color Palettes	Hng. Wires + Unifier Ring
OMH-30HSN - Inherent + Hanging Set	4 / 4.244 m ²		
OMH-30HUN - Inherent + Hanging Set + Uni. Ring	4 / 4.244 m ²		
OMH-30HSC - Color-IT + Hanging Set	4 / 4.244 m ²		
OMH-30HUC - Color-IT + Hanging Set + Uni. Ring	4 / 4.244 m ²		

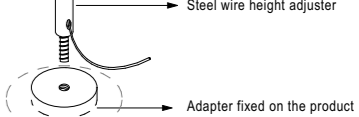
ACOUSTIC PERFORMANCE



Unifier Ring



Single point attachment supplied for easier installation

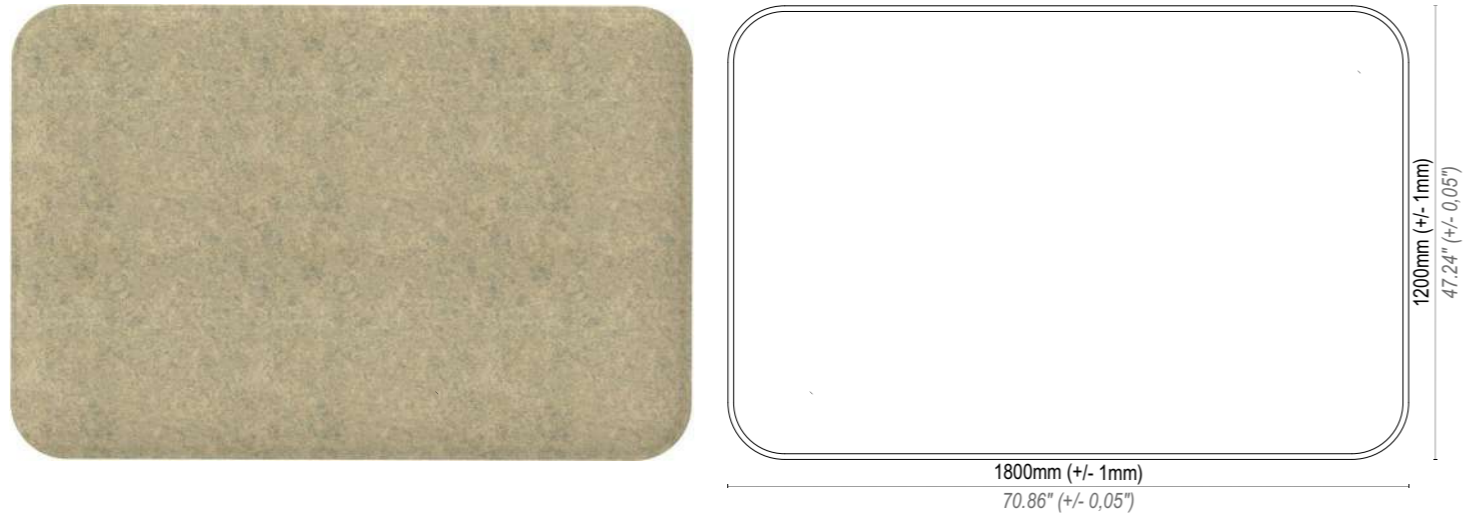


Oblong Large Sound-Absorbing Wall Panel



1200mm x 1800mm Thickness: 45mm

WALL



Product Code / Description	Box Qty / m ²	Felt Color Palettes	Mounting Brackets
OLW-30AAN - Inherent (Panel Only)	2 / 4.282 m ²		
OLW-30MBN - Inherent + Mounting Brackets	2 / 4.282 m ²		
OLW-30AAC - Color-IT (Panel Only)	2 / 4.282 m ²		
OLW-30MBC - Color-IT + Mounting Brackets	2 / 4.282 m ²		

APPLICATION
Wall & Ceiling - Indoor use only

MATERIAL
Mechanical needled punch industrial felt.
100% PET up to 60% Recycled content & Recyclable

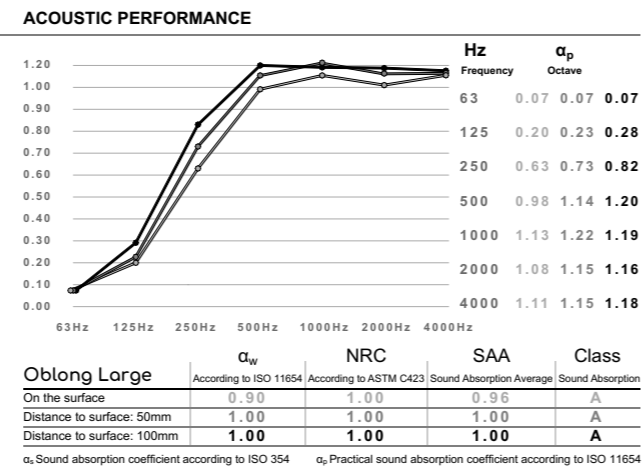
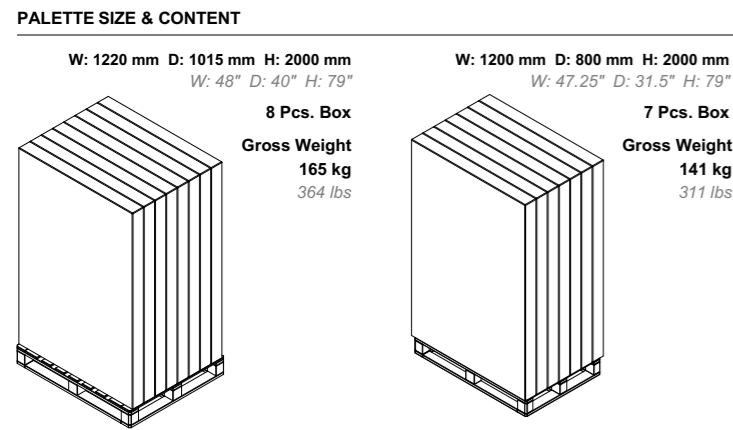
FIRE RATING
A Class (ASTM E84) - B s1 d0 (EN 13501-1)

THERMAL INSULATION
0,035 W/mK

WEIGHT
1 unit: 7500 gr. +/- 10% tolerance
1 unit: 16.53 lbs with +/- 10% tolerance

THICKNESS
Max. 45mm (+/- 2mm) - 1.77" (+/- 0.08")
Min. 8mm (+/- 2mm) - 0.31" (+/- 0.08")
Smooth Surface - Impact Resistance - Flexible

BOX SIZE & CONTENT
W: 1220 mm D: 1820 mm H: 120 mm
W: 48.03" D: 71.65" H: 4.72"
1 Box: 2 x panels
1 Box: 4.282 m²
1 Box: 46.089 ft²
1 Color of choice per package
Gross weight: 18 kg
Gross weight: 39.68 lbs

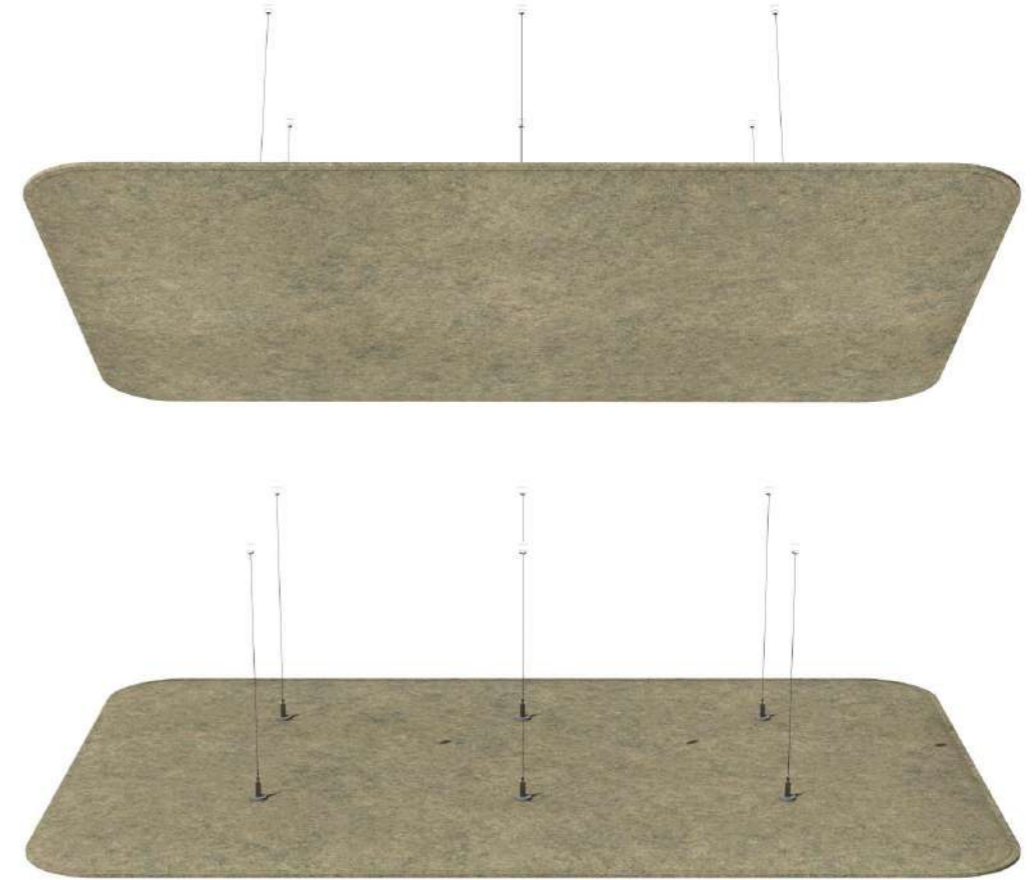


Oblong Large Sound-Absorbing Ceiling Pendant

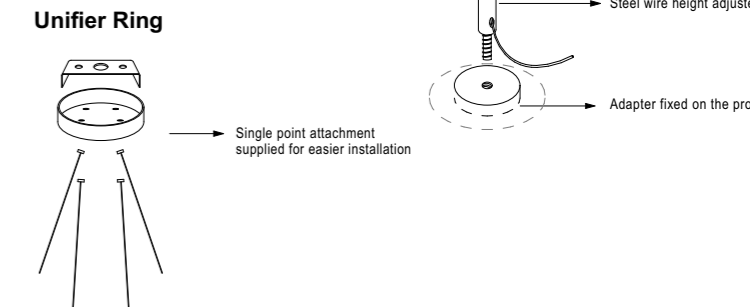
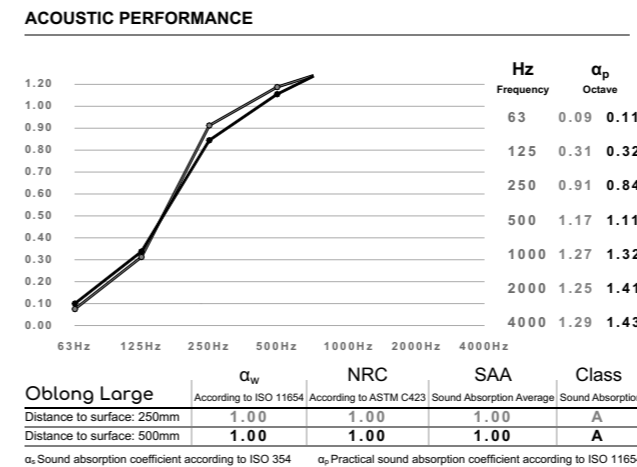


1200mm x 1800mm Thickness: 45mm

SOUND CLOUD



Product Code / Description	Box Qty / m ²	Felt Color Palettes	Hng. Wires + Unifier Ring
OLH-30HSN - Inherent + Hanging Set	2 / 4.282 m ²		
OLH-30HUN - Inherent + Hanging Set + Uni. Ring	2 / 4.282 m ²		
OLH-30HSC - Color-IT + Hanging Set	2 / 4.282 m ²		
OLH-30HUC - Color-IT + Hanging Set + Uni. Ring	2 / 4.282 m ²		



Frame Small Sound-Absorbing Wall Panel

600mm x 600mm Thickness: 30mm



WALL



Product Code / Description	Box Qty / m ²	Felt Color Palettes	Mounting Brackets
FSW-30AAN - Inherent (Panel Only)	4 / 1.364 m ²		
FSW-30MBN - Inherent + Mounting Brackets	4 / 1.364 m ²		
FSW-30AAC - Color-IT (Panel Only)	4 / 1.364 m ²		
FSW-30MBC - Color-IT + Mounting Brackets	4 / 1.364 m ²		

APPLICATION
Wall & Ceiling - Indoor use only

MATERIAL
Mechanical needled punch industrial felt.
100% PET up to 60% Recycled content & Recyclable

FIRE RATING
A Class (ASTM E84) - B s1 d0 (EN 13501-1)

THERMAL INSULATION
0,035 W/mK

WEIGHT
1 unit: 1200 gr. +/- 10% tolerance
1 unit: 2.65 lbs with +/- 10% tolerance

THICKNESS

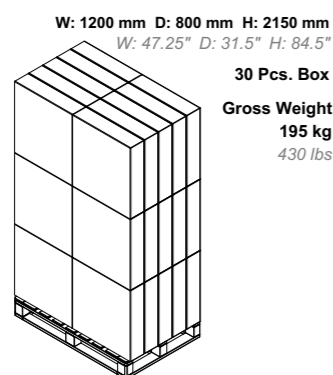
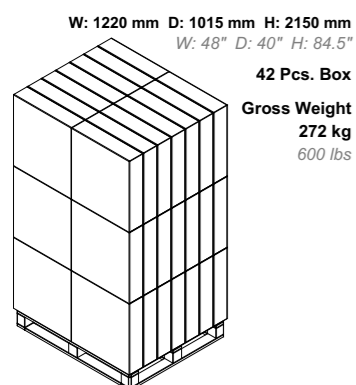
 Max. 30mm (+/- 2mm) - 1.18" (+/- 0.08")
 Min. 8mm (+/- 2mm) - 0.31" (+/- 0.08")
 Smooth Surface - Impact Resistance - Flexible

BOX SIZE & CONTENT
W: 620 mm D: 660 mm H: 150 mm
W: 24.5" D: 26" H: 5.9"

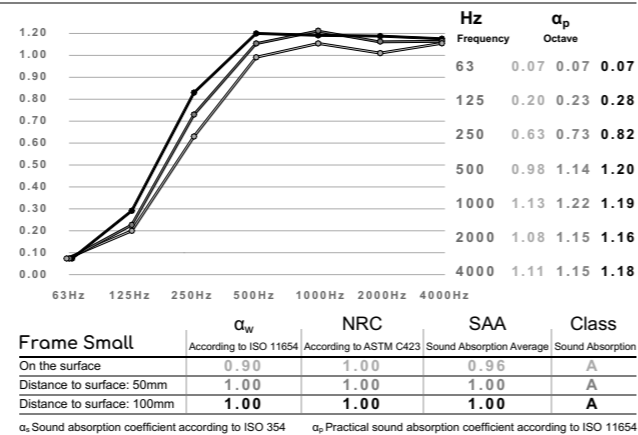
1 Box: 4 x panels
1 Box: 1.364 m²
1 Box: 14.68 ft²

1 Color of choice per package
Gross weight: 6 kg
Gross weight: 13.23 lbs

PALETTE SIZE & CONTENT



ACOUSTIC PERFORMANCE



Frame Small Sound-Absorbing Ceiling Pendant

600mm x 600mm Thickness: 30mm

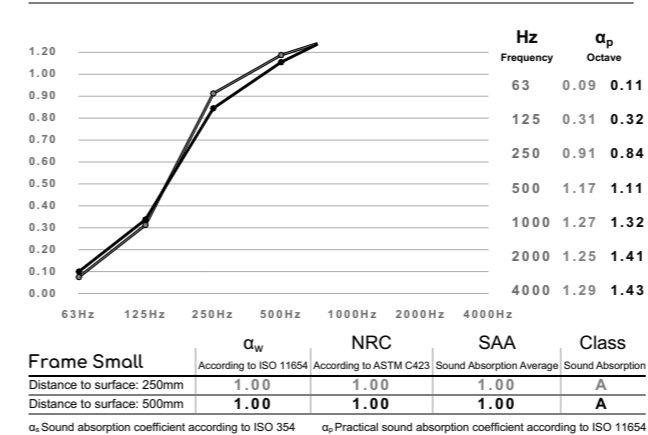


SOUND CLOUD

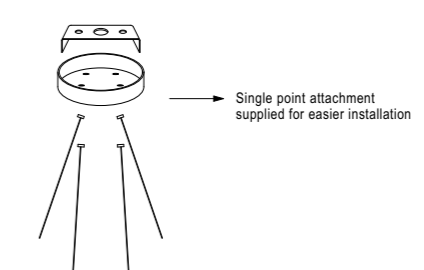


Product Code / Description	Box Qty / m ²	Felt Color Palettes	Hng. Wires + Unifier Ring
FSH-30HNS - Inherent + Hanging Set	4 / 1.364 m ²		<ul style="list-style-type: none"> Plastic Dowel Steel wire holder (part 1) Screw Steel wire stopper Steel wire holder (part 2) Steel wire (1.5 meters) Steel wire height adjuster Adapter fixed on the product
FSH-30HUN - Inherent + Hanging Set + Uni. Ring	4 / 1.364 m ²		
FSH-30HSC - Color-IT + Hanging Set	4 / 1.364 m ²		
FSH-30HUC - Color-IT + Hanging Set + Uni. Ring	4 / 1.364 m ²		

ACOUSTIC PERFORMANCE



Unifier Ring

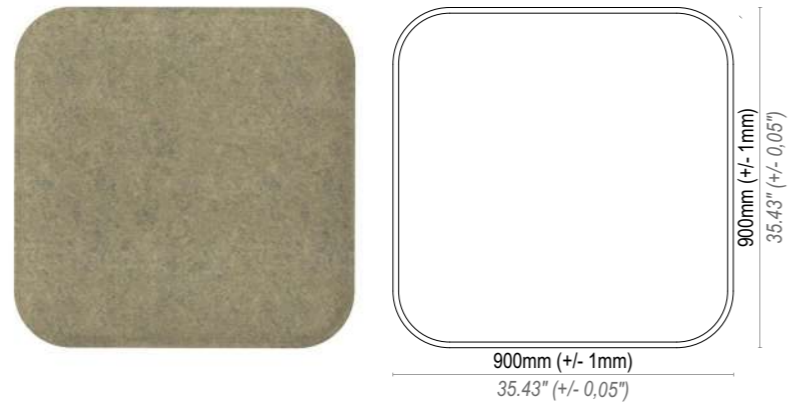


Frame Medium Sound-Absorbing Wall Panel



900mm x 900mm Thickness: 30mm

WALL



Product Code / Description	Box Qty / m ²	Felt Color Palettes	Mounting Brackets
FMW-30AAN - Inherent (Panel Only)	4 / 3.164 m ²		
FMW-30MBN - Inherent + Mounting Brackets	4 / 3.164 m ²		
FMW-30AAC - Color-IT (Panel Only)	4 / 3.164 m ²		
FMW-30MBC - Color-IT + Mounting Brackets	4 / 3.164 m ²		

APPLICATION
Wall & Ceiling - Indoor use only

MATERIAL
Mechanical needled punch industrial felt.
100% PET up to 60% Recycled content & Recyclable

FIRE RATING
A Class (ASTM E84) - B s1 d0 (EN 13501-1)

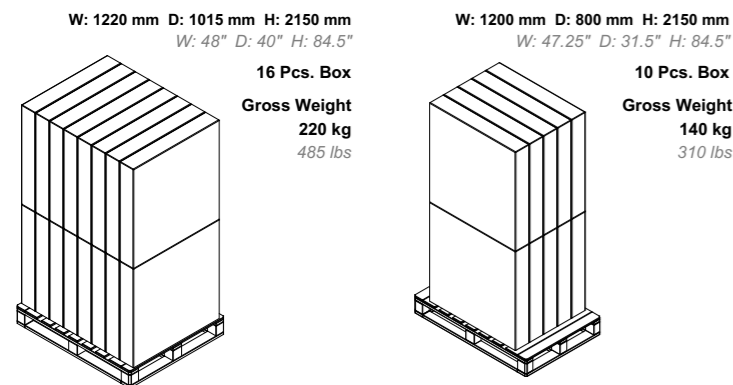
THERMAL INSULATION
0,035 W/mK

WEIGHT
1 unit: 2750 gr. +/- 10% tolerance
1 unit: 6.06 lbs with +/- 10% tolerance

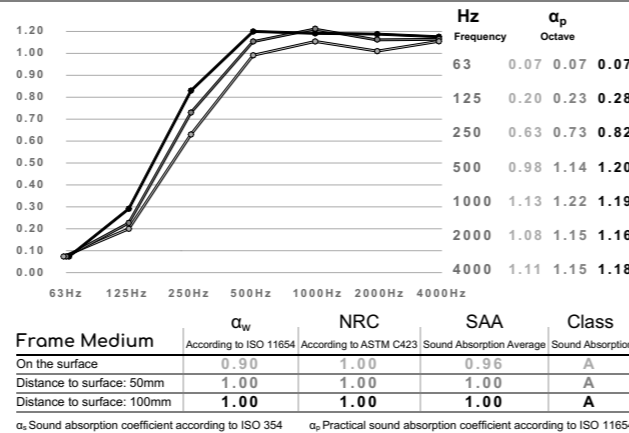
THICKNESS
Max. 30mm (+/- 2mm) - 1.18" (+/- 0.08")
Min. 8mm (+/- 2mm) - 0.31" (+/- 0.08")
Smooth Surface - Impact Resistance - Flexible

BOX SIZE & CONTENT
W: 920 mm D: 920 mm H: 150 mm
W: 36.22" D: 36.22" H: 5.90"
1 Box: 4 x panels
1 Box: 3.164 m²
1 Box: 34.056 ft²
1 Color of choice per package
Gross weight: 12.5 kg
Gross weight: 27.56 lbs

PALETTE SIZE & CONTENT



ACOUSTIC PERFORMANCE

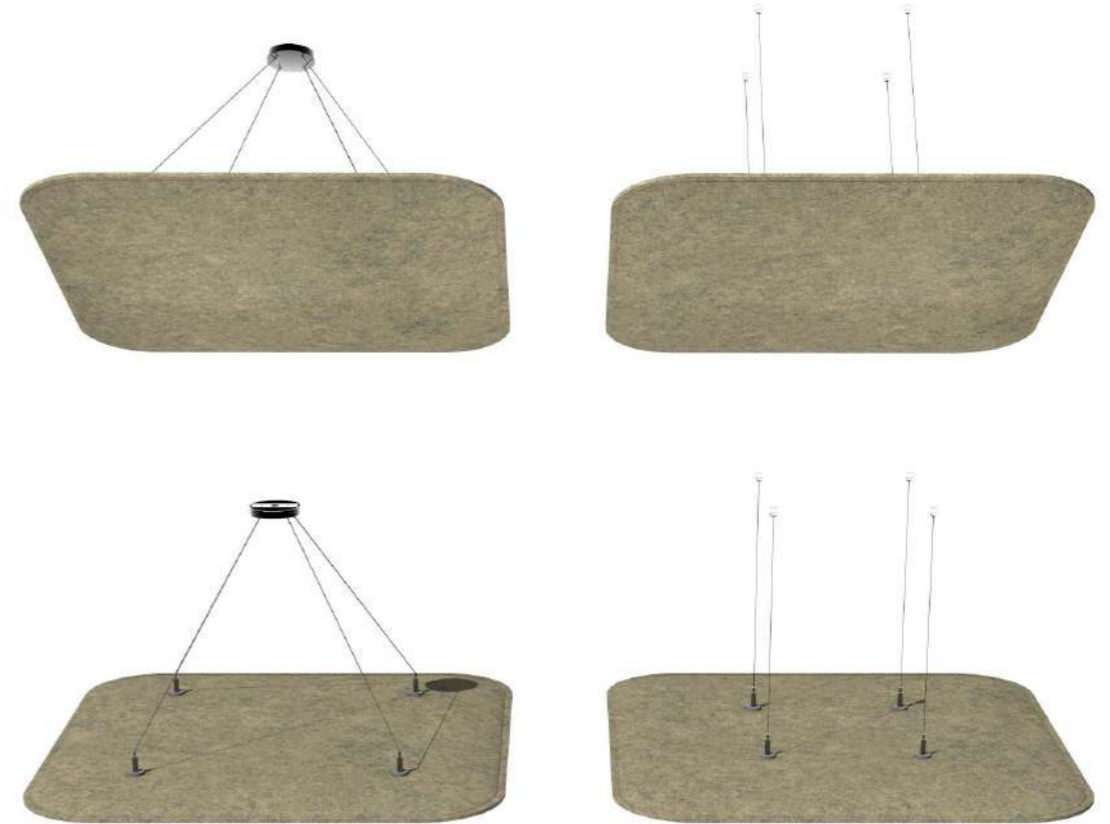


Frame Medium Sound-Absorbing Ceiling Pendant



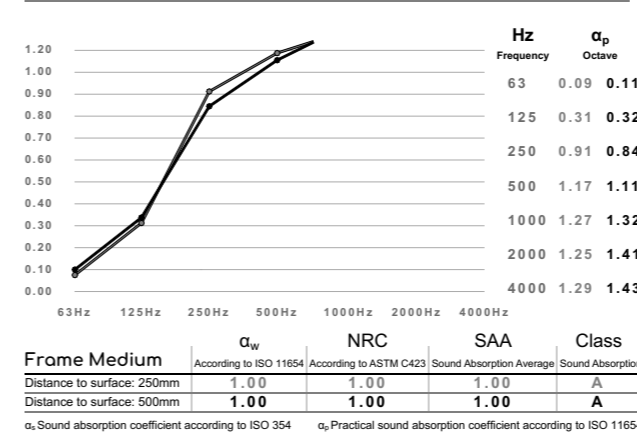
900mm x 900mm Thickness: 30mm

SOUND CLOUD

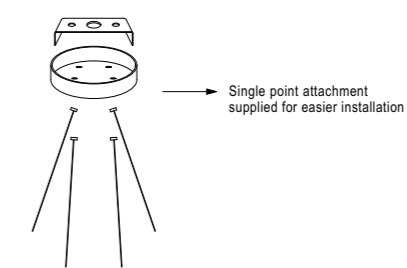


Product Code / Description	Box Qty / m ²	Felt Color Palettes	Hng. Wires + Unifier Ring
FMH-30HSN - Inherent + Hanging Set	4 / 3.164 m ²		<ul style="list-style-type: none"> Plastic Dowel Steel wire holder (part 1) Screw Steel wire stopper Steel wire holder (part 2) Steel wire (1.5 meters) Steel wire height adjuster Adapter fixed on the product
FMH-30HUN - Inherent + Hanging Set + Uni. Ring	4 / 3.164 m ²		
FMH-30HSC - Color-IT + Hanging Set	4 / 3.164 m ²		
FMH-30HUC - Color-IT + Hanging Set + Uni. Ring	4 / 3.164 m ²		

ACOUSTIC PERFORMANCE



Unifier Ring

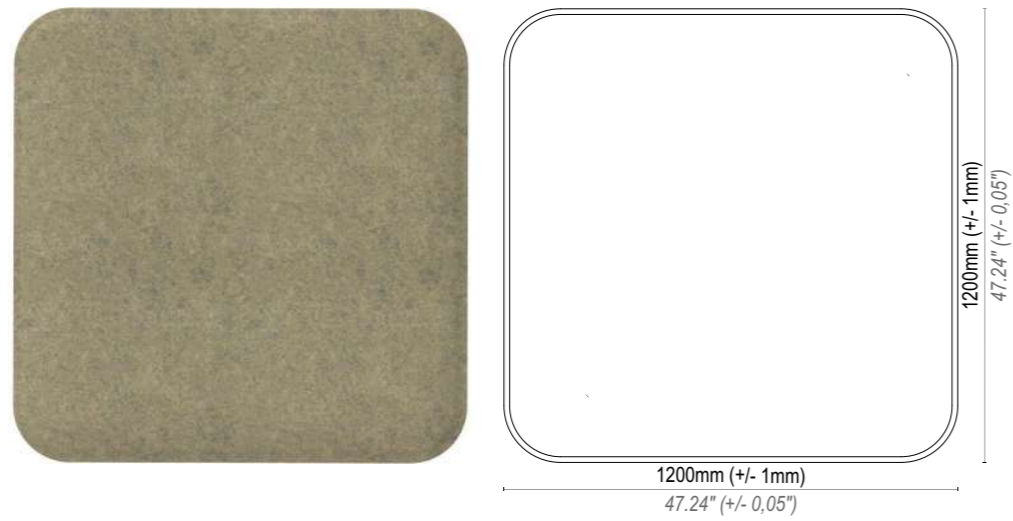


Frame Large Sound-Absorbing Wall Panel



1200mm x 1200mm Thickness: 45mm

WALL



Product Code / Description	Box Qty / m ²	Felt Color Palettes	Mounting Brackets
FLW-30AAN - Inherent (Panel Only)	2 / 2.842 m ²		
FLW-30MBN - Inherent + Mounting Brackets	2 / 2.842 m ²		
FLW-30AAC - Color-IT (Panel Only)	2 / 2.842 m ²		
FLW-30MBC - Color-IT + Mounting Brackets	2 / 2.842 m ²		

APPLICATION
Wall & Ceiling - Indoor use only

MATERIAL
Mechanical needled punch industrial felt.
100% PET up to 60% Recycled content & Recyclable

FIRE RATING
A Class (ASTM E84) - B s1 d0 (EN 13501-1)

THERMAL INSULATION
0,035 W/mK

WEIGHT
1 unit: 5000 gr. +/- 10% tolerance
1 unit: 11.02 lbs with +/- 10% tolerance

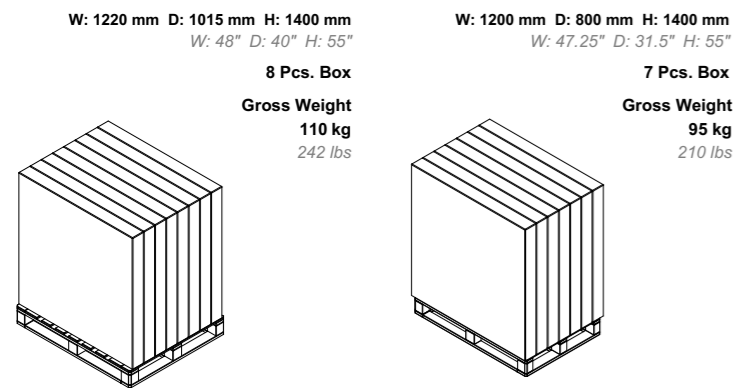
THICKNESS
Max. 45mm (+/- 2mm) - 1.77" (+/- 0.08")
Min. 8mm (+/- 2mm) - 0.31" (+/- 0.08")
Smooth Surface - Impact Resistance - Flexible

BOX SIZE & CONTENT
W: 1220 mm D: 1220 mm H: 120 mm
W: 48.03" D: 48.03" H: 4.72"

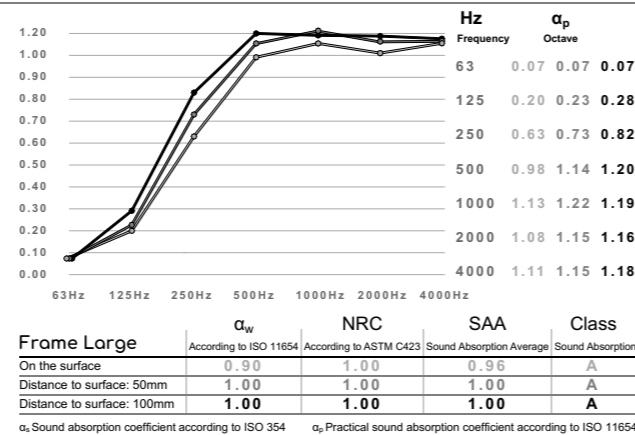
1 Box: 2 x panels
1 Box: 2.842 m²
1 Box: 30.591 ft²

1 Color of choice per package
Gross weight: 12 kg
Gross weight: 26.45 lbs

PALETTE SIZE & CONTENT



ACOUSTIC PERFORMANCE

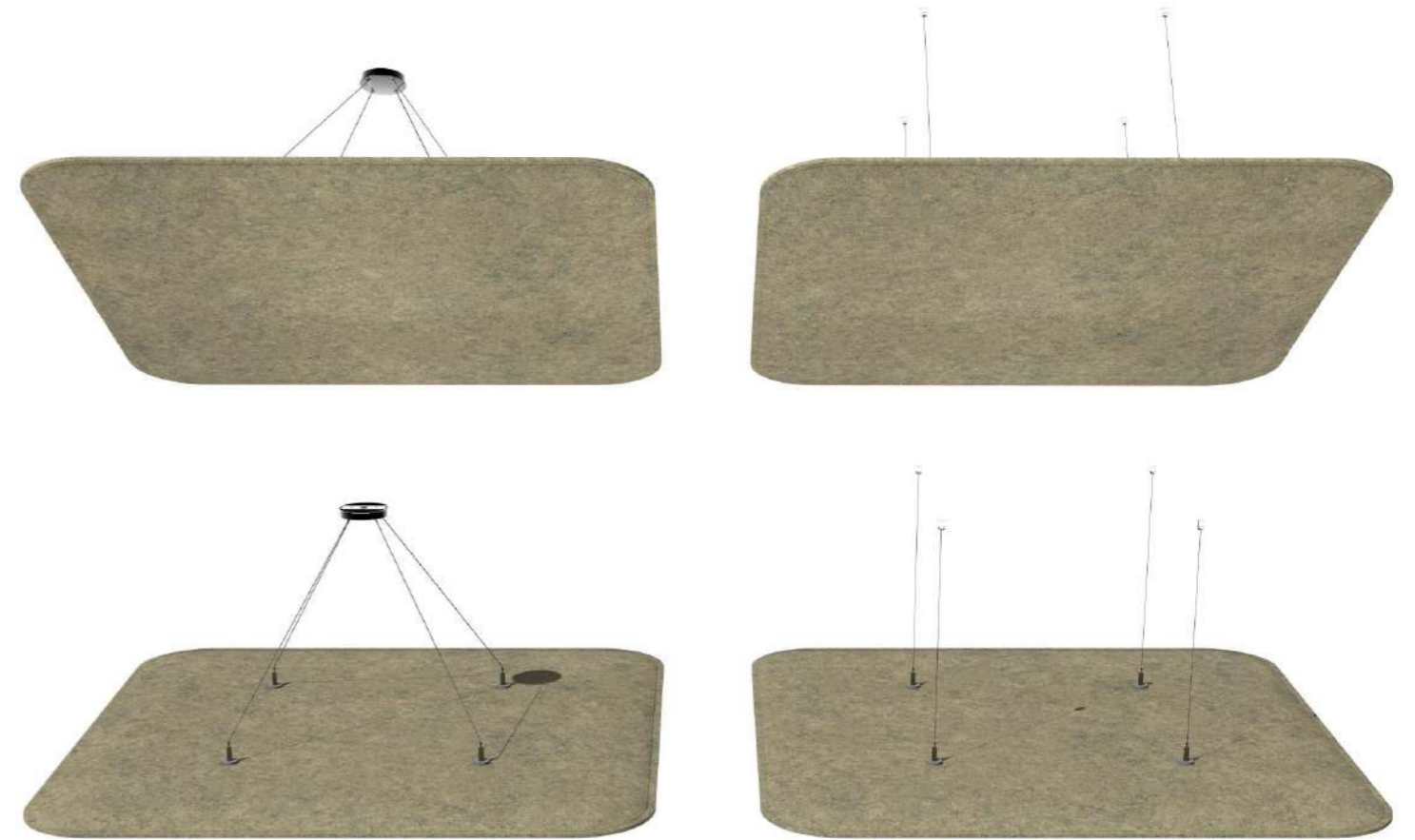


Frame Large Sound-Absorbing Ceiling Pendant



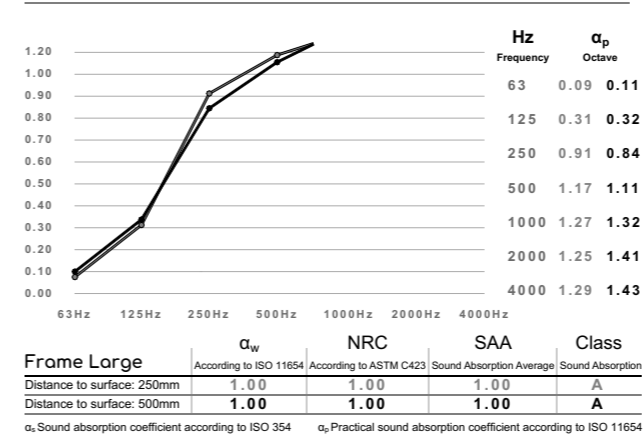
1200mm x 1200mm Thickness: 45mm

SOUND CLOUD

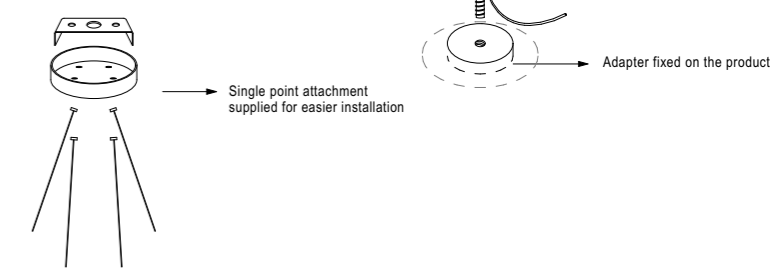


Product Code / Description	Box Qty / m ²	Felt Color Palettes	Hng. Wires + Unifier Ring
FLH-30HSN - Inherent + Hanging Set	2 / 2.842 m ²		
FLH-30HUN - Inherent + Hanging Set + Uni. Ring	2 / 2.842 m ²		
FLH-30HSC - Color-IT + Hanging Set	2 / 2.842 m ²		
FLH-30HUC - Color-IT + Hanging Set + Uni. Ring	2 / 2.842 m ²		

ACOUSTIC PERFORMANCE



Unifier Ring



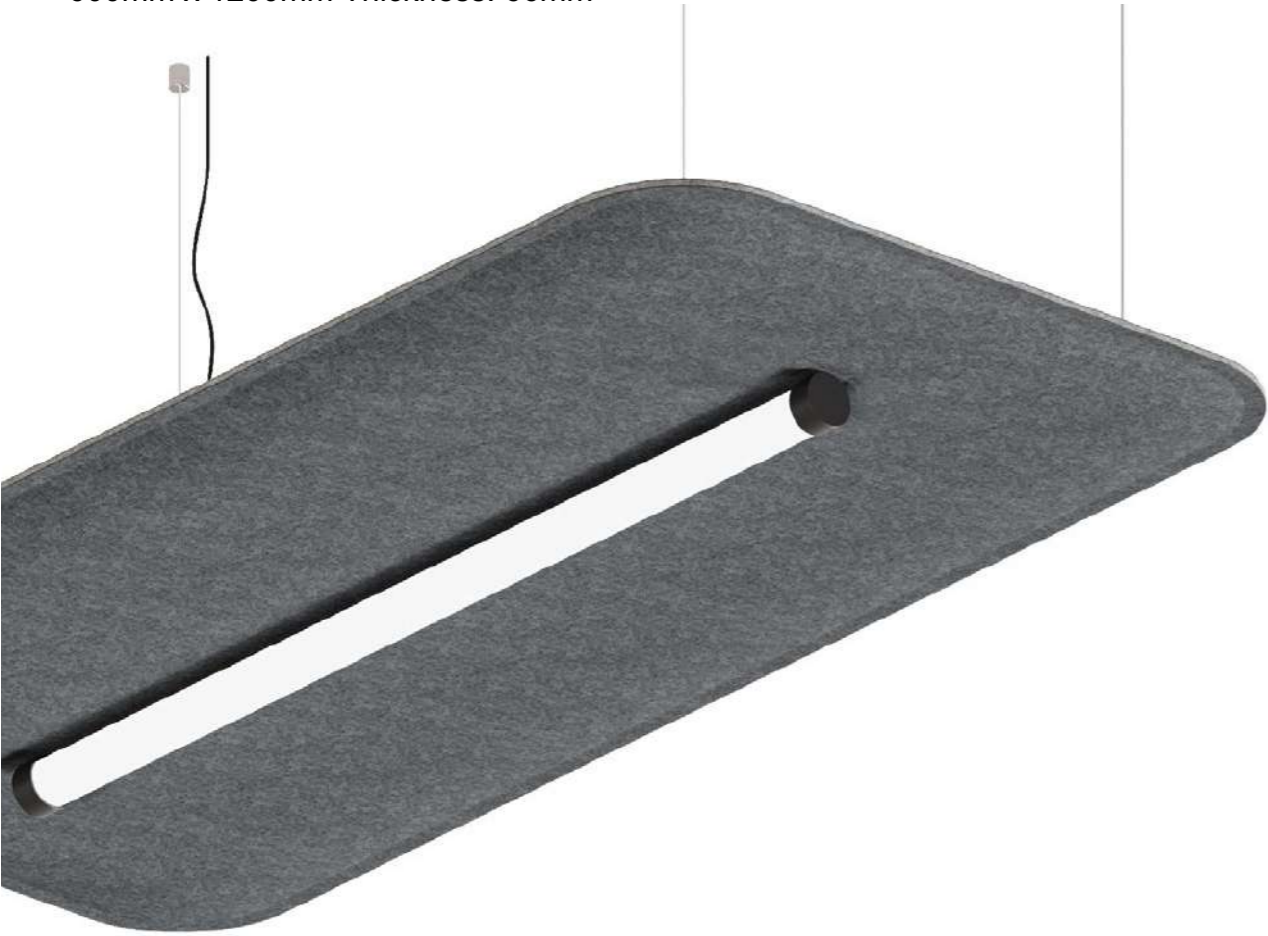
ACOUSTERA Sound Clouds Lighting

Sound Clouds Lightings Oblong & Frame combine our signature Class-A acoustic performance with premium LED lighting.

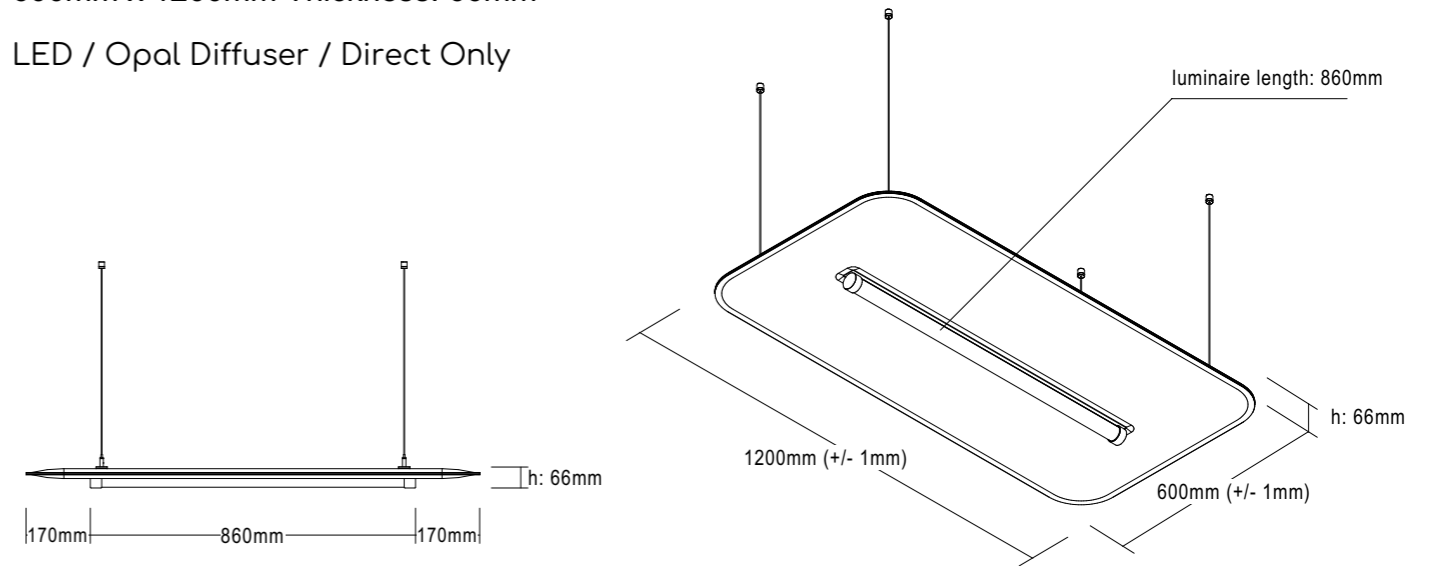
Offering superior noise reduction and brilliant illumination in a single, dual-purpose design, these versatile clouds are ideal for ceiling applications.

Enhance your sound quality and brighten your space while adding a striking, modern aesthetic.





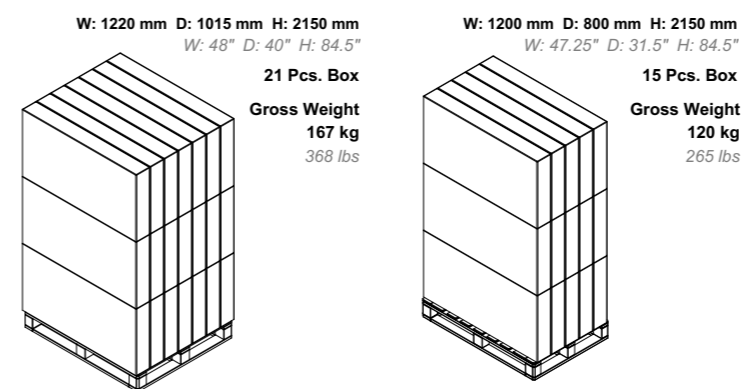
LED / Opal Diffuser / Direct Only



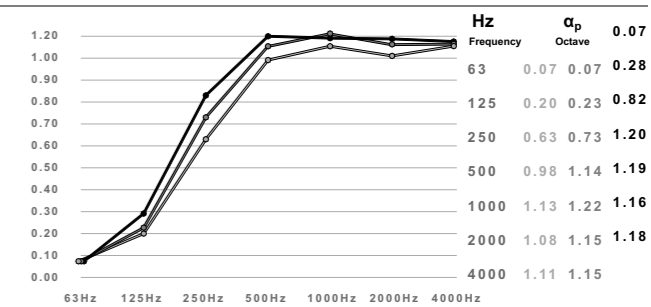
Product Code / Description	Box Qty / m ²	Felt Color Palettes	Mounting Type
OSL-60SLN - Inherent (With Lighting)	2 / 1.402 m ²		
OSL-60SLC - Color-IT (With Lighting)	2 / 1.402 m ²		
Aluminium Body Colors 			
Luminaire: L: 860mm 18W / 1980 lm Control Options: External Driver. ON/OFF, DALI, PushDim, Bluetooth. CRI>80 or CRI>90 Color Temperature: 2700K, 3000K or 4000K Diffuser Options: Opal CE 220V / 240V LEDs 50/60Hz Lumen values are calculated at 4000K			

APPLICATION Wall & Ceiling - Indoor use only MATERIAL Mechanical needled punch industrial felt. 100% PET up to 60% Recycled content & Recyclable FIRE RATING A Class (ASTM E84) - B s1 d0 (EN 13501-1) THERMAL INSULATION 0,035 W/mK	WEIGHT 1 unit: 2450 gr. +/- 10% tolerance 1 unit: 5.40 lbs with +/- 10% tolerance THICKNESS Max. 30mm (+/- 2mm) - 1.18" (+/- 0.08") Min. 8mm (+/- 2mm) - 0.31" (+/- 0.08") Smooth Surface - Impact Resistance - Flexible	BOX SIZE & CONTENT W: 620 mm D: 1220 mm H: 150 mm W: 24.5" D: 48.03" H: 5.9" 1 Box: 2 x panels 1 Box: 1.402 m ² 1 Box: 15.091 ft ² 1 Color of choice per package Gross weight: 7 kg Gross weight: 15.43 lbs
--	--	--

PALETTE SIZE & CONTENT



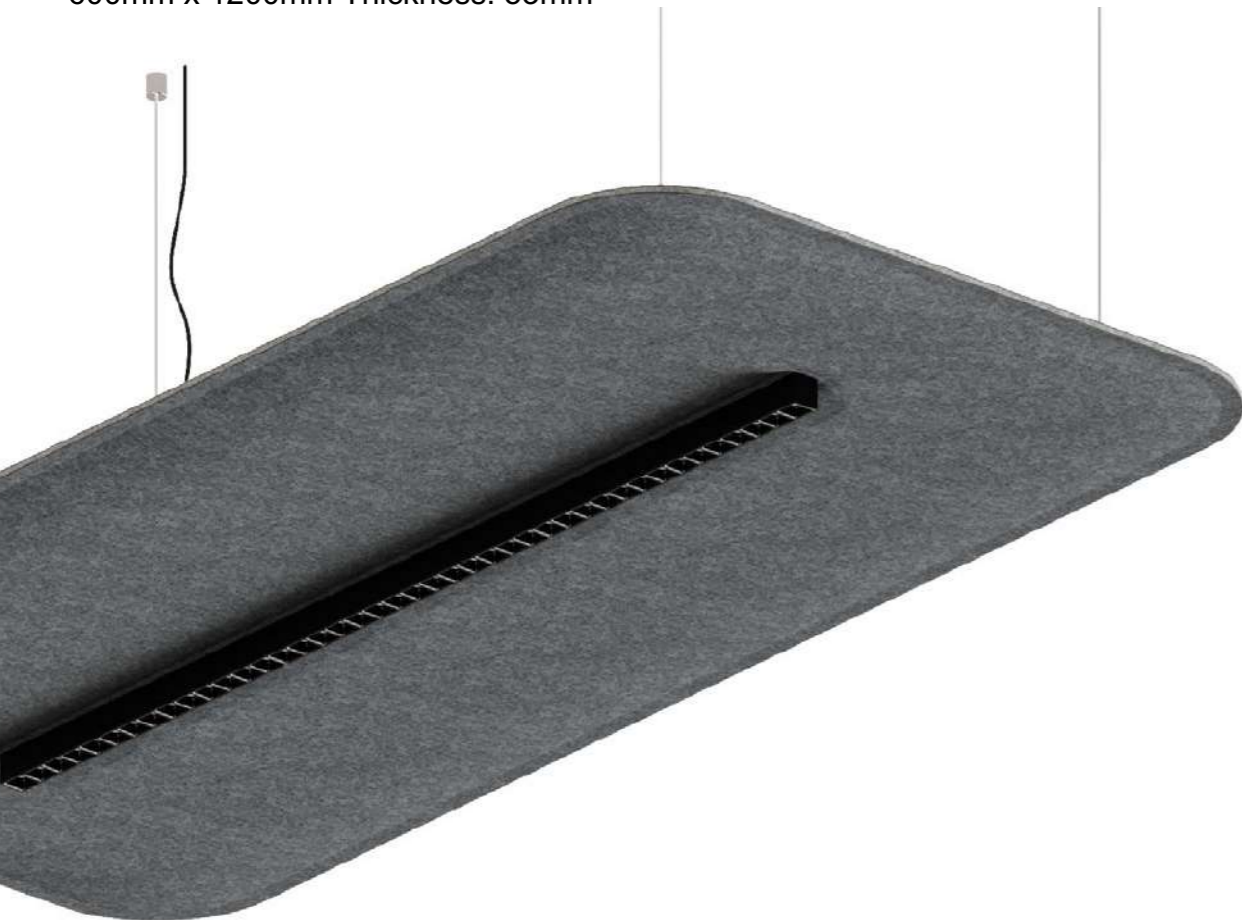
ACOUSTIC PERFORMANCE



Reference Product: Oblong Large	alpha_w	NRC	SAA	Class
On the surface	0.90	1.00	0.96	A
Distance to surface: 50mm	1.00	1.00	1.00	A
Distance to surface: 100mm	1.00	1.00	1.00	A

Oblong Small Single Dark Acoustic Lighting

600mm x 1200mm Thickness: 53mm

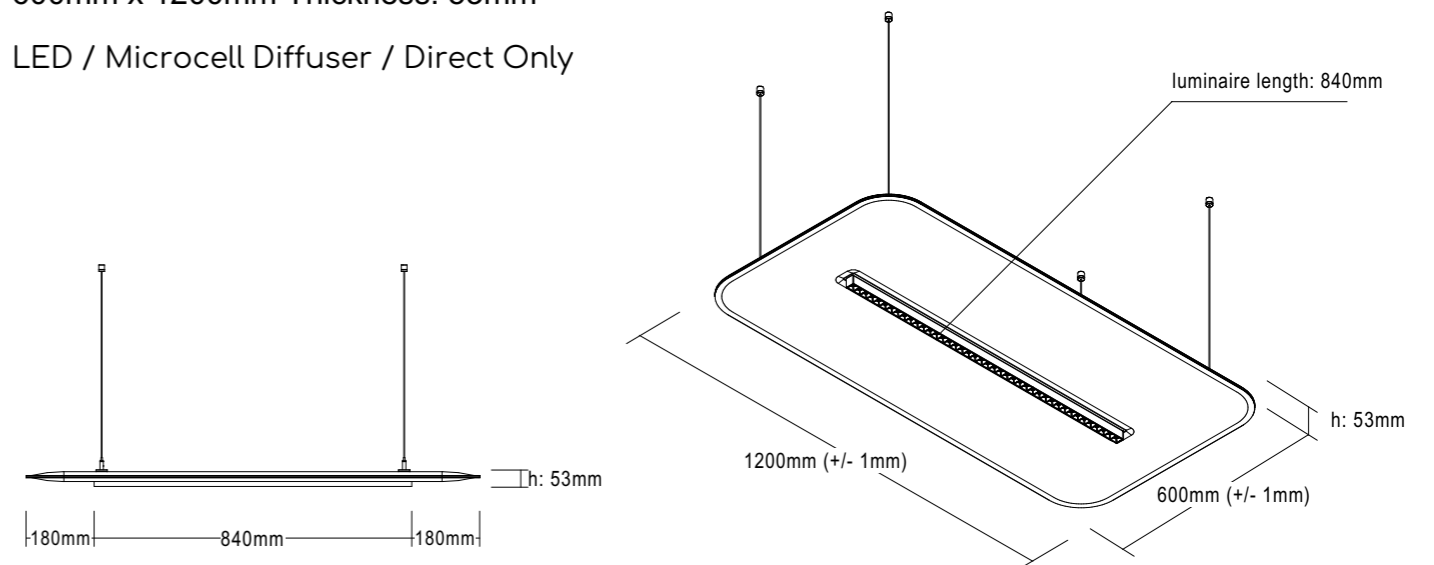


Oblong Small Single Dark Acoustic Lighting

600mm x 1200mm Thickness: 53mm



LED / Microcell Diffuser / Direct Only



Product Code / Description	Box Qty / m ²	Felt Color Palettes	Mounting Type
OSL-60SDN - Inherent (With Lighting)	2 / 1.402 m ²		
OSL-60SDC - Color-IT (With Lighting)	2 / 1.402 m ²		
Aluminium Body Colors 			
Luminaire: L: 840mm 16W / 1440 lm Control Options: External Driver. ON/OFF, DALI, PushDim, Bluetooth. CRI>80 or CRI>90 Color Temperature: 2700K, 3000K or 4000K Diffuser Options: Lenses CE 220V / 240V LEDs 50/60Hz Lumen values are calculated at 4000K			

APPLICATION
Wall & Ceiling - Indoor use only

MATERIAL
Mechanical needled punch industrial felt.
100% PET up to 60% Recycled content & Recyclable

FIRE RATING
A Class (ASTM E84) - B s1 d0 (EN 13501-1)

THERMAL INSULATION
0,035 W/mK

WEIGHT
1 unit: 2450 gr. +/- 10% tolerance
1 unit: 5.40 lbs with +/- 10% tolerance

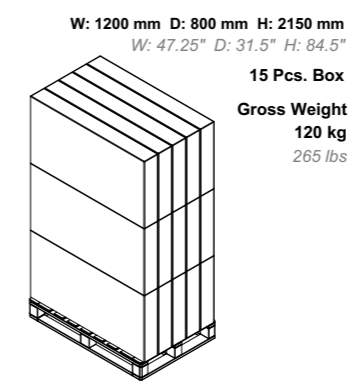
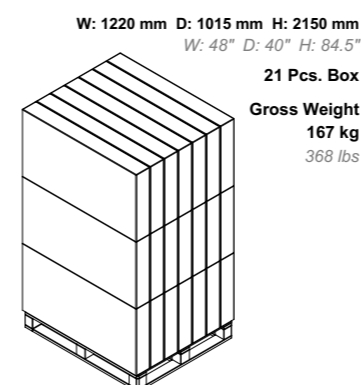
THICKNESS

 Max. 30mm (+/- 2mm) - 1.18" (+/-0.08")
 Min. 8mm (+/- 2mm) - 0.31" (+/-0.08")
 Smooth Surface - Impact Resistance - Flexible

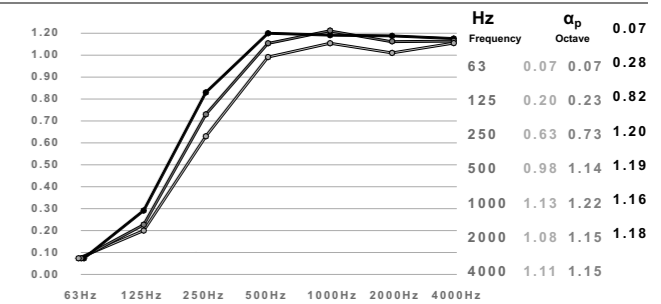
BOX SIZE & CONTENT
W: 620 mm D: 1220 mm H: 150 mm
W: 24.5" D: 48.03" H: 5.9"

1 Box: 2 x panels
1 Box: 1.402 m²
1 Box: 15.091 ft²
1 Color of choice per package
Gross weight: 7 kg
Gross weight: 15.43 lbs

PALETTE SIZE & CONTENT



ACOUSTIC PERFORMANCE



Reference Product: Oblong Small	alpha_w	NRC	SAA	Class
According to ISO 11654	0.90	1.00	0.96	A
Distance to surface: 50mm	1.00	1.00	1.00	A
Distance to surface: 100mm	1.00	1.00	1.00	A

Frame Large Double Acoustic Lighting

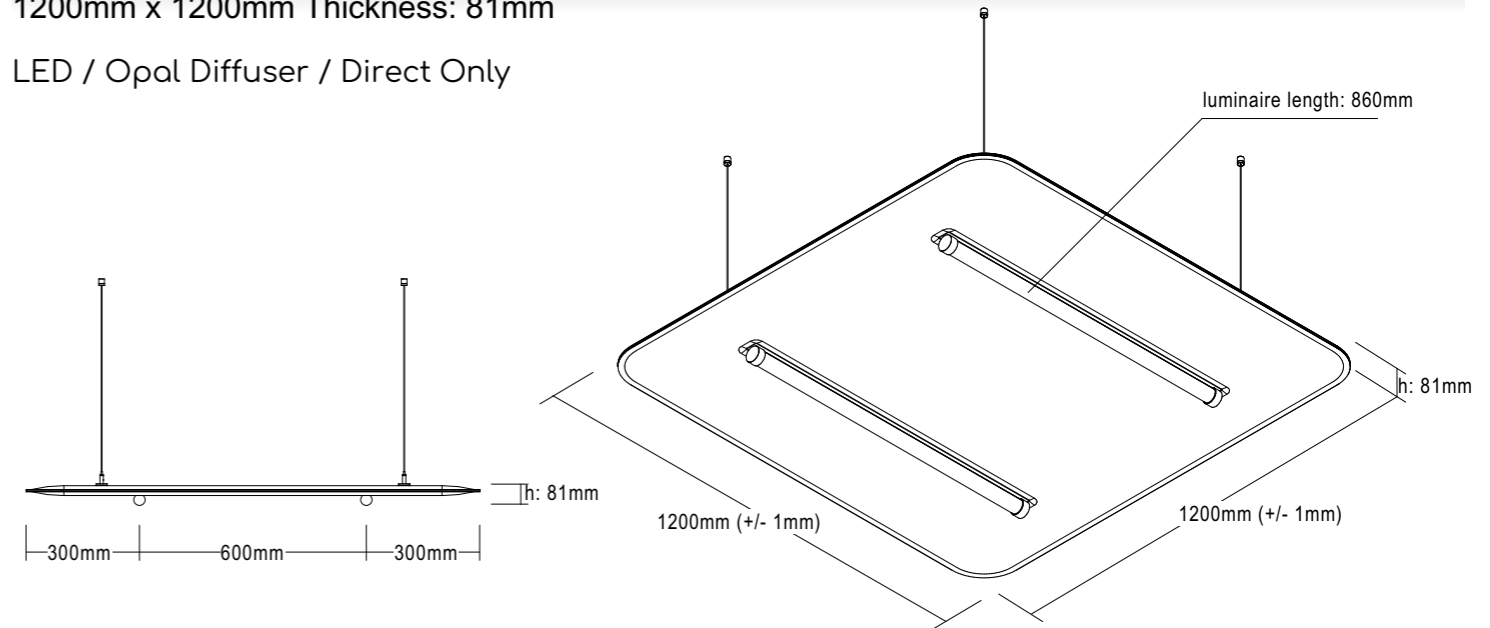
1200mm x 1200mm Thickness: 81mm



Frame Large Double Acoustic Lighting

1200mm x 1200mm Thickness: 81mm

LED / Opal Diffuser / Direct Only



Product Code / Description	Box Qty / m ²	Felt Color Palettes	Mounting Type
FLL-60DLN - Inherent (With Lighting)	2 / 5.40 m ²		
FLL-60DLC - Color-IT (With Lighting)	2 / 5.40 m ²		
Aluminium Body Colors 			
Luminaire: L: 860mm 36W / 3960 lm Control Options: External Driver. ON/OFF, DALI, PushDim, Bluetooth. CRI>80 or CRI>90 Color Temperature: 2700K, 3000K or 4000K Diffuser Options: Opal CE 220V / 240V LEDs 50/60Hz Lumen values are calculated at 4000K			

APPLICATION Wall & Ceiling - Indoor use only MATERIAL Mechanical needed punch industrial felt. 100% PET up to 60% Recycled content & Recyclable FIRE RATING A Class (ASTM E84) - B s1 d0 (EN 13501-1) THERMAL INSULATION 0,035 W/mK	WEIGHT 1 unit: 5000 gr. +/- 10% tolerance 1 unit: 11.02 lbs with +/- 10% tolerance THICKNESS Max. 45mm (+/- 2mm) - 1.77" (+/-0.08") Min. 8mm (+/- 2mm) - 0.31" (+/-0.08") Smooth Surface - Impact Resistance - Flexible	BOX SIZE & CONTENT W: 1220 mm D: 1220 mm H: 120 mm W: 48.03" D: 48.03" H: 4.72" 1 Box: 2 x panels 1 Box: 2.842 m ² 1 Box: 30.591 ft ² 1 Color of choice per package Gross weight: 12 kg Gross weight: 26.45 lbs
---	---	--

PALETTE SIZE & CONTENT		ACOUSTIC PERFORMANCE																																	
W: 1220 mm D: 1015 mm H: 1400 mm W: 48" D: 40" H: 55" 8 Pcs. Box Gross Weight 110 kg 242 lbs	W: 1200 mm D: 800 mm H: 1400 mm W: 47.25" D: 31.5" H: 55" 7 Pcs. Box Gross Weight 95 kg 210 lbs		<table border="1"> <thead> <tr> <th>Hz</th> <th>Frequency</th> <th>Octave</th> <th>α_p</th> </tr> </thead> <tbody> <tr><td>63</td><td>0.07</td><td>0.07</td><td>0.07</td></tr> <tr><td>125</td><td>0.20</td><td>0.23</td><td>0.28</td></tr> <tr><td>250</td><td>0.63</td><td>0.73</td><td>0.82</td></tr> <tr><td>500</td><td>0.98</td><td>1.14</td><td>1.20</td></tr> <tr><td>1000</td><td>1.13</td><td>1.22</td><td>1.19</td></tr> <tr><td>2000</td><td>1.08</td><td>1.15</td><td>1.16</td></tr> <tr><td>4000</td><td>1.11</td><td>1.15</td><td>1.18</td></tr> </tbody> </table>	Hz	Frequency	Octave	α _p	63	0.07	0.07	0.07	125	0.20	0.23	0.28	250	0.63	0.73	0.82	500	0.98	1.14	1.20	1000	1.13	1.22	1.19	2000	1.08	1.15	1.16	4000	1.11	1.15	1.18
Hz	Frequency	Octave	α _p																																
63	0.07	0.07	0.07																																
125	0.20	0.23	0.28																																
250	0.63	0.73	0.82																																
500	0.98	1.14	1.20																																
1000	1.13	1.22	1.19																																
2000	1.08	1.15	1.16																																
4000	1.11	1.15	1.18																																
Frame Large On the surface: 0.90 Distance to surface: 50mm: 1.00 Distance to surface: 100mm: 1.00		<table border="1"> <thead> <tr> <th>α_w</th> <th>NRC</th> <th>SAA</th> <th>Class</th> </tr> </thead> <tbody> <tr> <td>0.90</td> <td>1.00</td> <td>0.96</td> <td>A</td> </tr> <tr> <td>1.00</td> <td>1.00</td> <td>1.00</td> <td>A</td> </tr> <tr> <td>1.00</td> <td>1.00</td> <td>1.00</td> <td>A</td> </tr> </tbody> </table>		α _w	NRC	SAA	Class	0.90	1.00	0.96	A	1.00	1.00	1.00	A	1.00	1.00	1.00	A																
α _w	NRC	SAA	Class																																
0.90	1.00	0.96	A																																
1.00	1.00	1.00	A																																
1.00	1.00	1.00	A																																

Frame Large Double Dark Acoustic Lighting

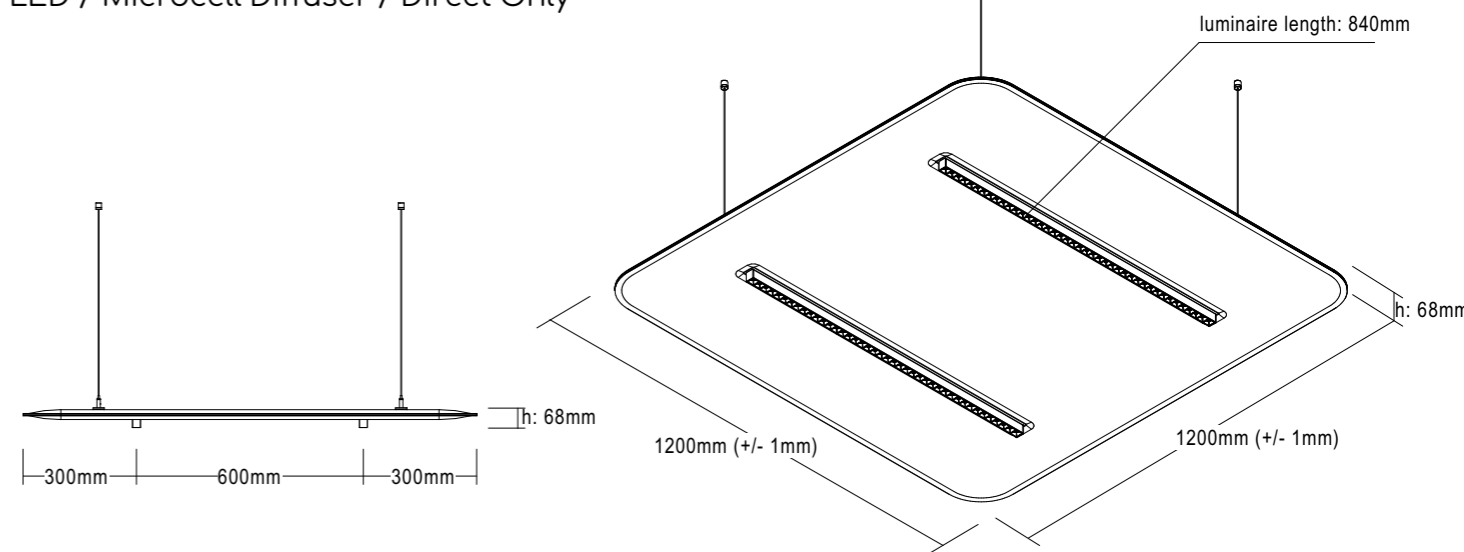
1200mm x 1200mm Thickness: 68mm



Frame Large Double Dark Acoustic Lighting

1200mm x 1200mm Thickness: 68mm

LED / Microcell Diffuser / Direct Only



Product Code / Description	Box Qty / m ²	Felt Color Palettes	Mounting Type
FLL-60DDN - Inherent (With Lighting)	2 / 5.40 m ²		
FLL-60DDC - Color-IT (With Lighting)	2 / 5.40 m ²		
Aluminium Body Colors 			
Luminaire: L: 840mm 32W / 2880lm Control Options: External Driver. ON/OFF, DALI, PushDim, Bluetooth. CRI>80 or CRI>90 Color Temperature: 3000K or 4000K Diffuser Options: Lenses CE 220V / 240V LEDs 50/60Hz Lumen values are calculated at 4000K			

APPLICATION

Wall & Ceiling - Indoor use only

MATERIAL

Mechanical needed punch industrial felt.
100% PET up to 60% Recycled content & Recyclable

FIRE RATING

A Class (ASTM E84) - B s1 d0 (EN 13501-1)

THERMAL INSULATION

0,035 W/mK

WEIGHT

1 unit: 5000 gr. +/- 10% tolerance
1 unit: 11.02 lbs with +/- 10% tolerance

THICKNESS

Max. 45mm (+/- 2mm) - 1.77" (+/- 0.08")
Min. 8mm (+/- 2mm) - 0.31" (+/- 0.08")

Smooth Surface - Impact Resistance - Flexible

BOX SIZE & CONTENT

W: 1220 mm D: 1220 mm H: 120 mm
W: 48.03" D: 48.03" H: 4.72"

1 Box: 2 x panels

1 Box: 2.842 m²

1 Box: 30.591 ft²

1 Color of choice per package

Gross weight: 12 kg

Gross weight: 26.45 lbs

PALETTE SIZE & CONTENT

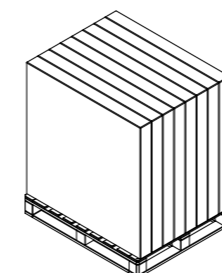
W: 1220 mm D: 1015 mm H: 1400 mm
W: 48" D: 40" H: 55"

8 Pcs. Box

Gross Weight

110 kg

242 lbs



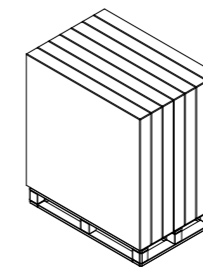
W: 1200 mm D: 800 mm H: 1400 mm
W: 47.25" D: 31.5" H: 55"

7 Pcs. Box

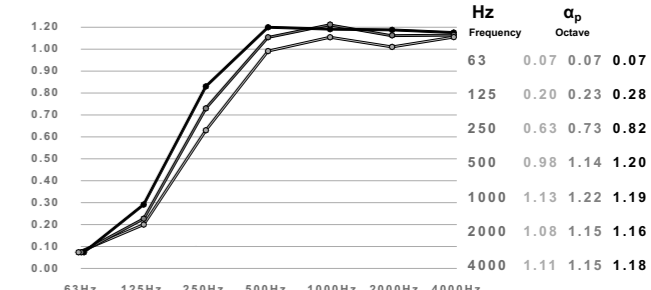
Gross Weight

95 kg

210 lbs



ACOUSTIC PERFORMANCE



	alpha _w	NRC	SAA	Class
Frame Large	0.90	1.00	0.96	A
On the surface	0.90	1.00	0.96	A
Distance to surface: 50mm	1.00	1.00	1.00	A
Distance to surface: 100mm	1.00	1.00	1.00	A

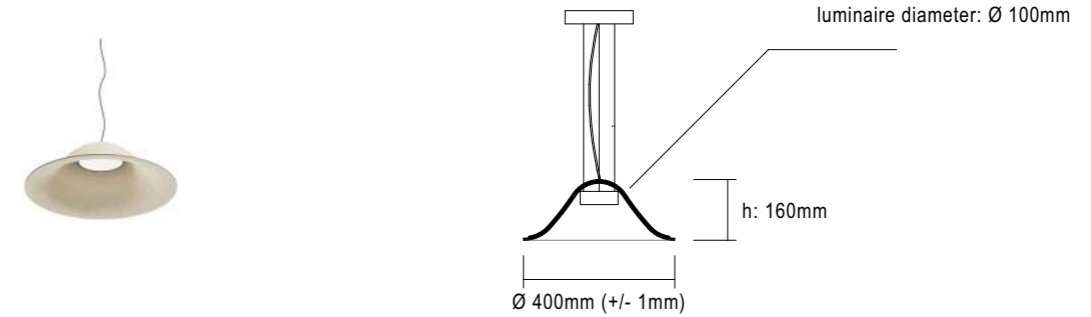
alpha_w Sound absorption coefficient according to ISO 354 alpha_p Practical sound absorption coefficient according to ISO 11654

Noem



Ø: 400mm x Height: 160mm

LED / Opal or Microprismatic diffuser / Direct Only



Product Code / Description	Box Qty	Felt Color Palettes	Mounting Type
NPS-60ALN - Inherent (With Lighting)	1		
NPS-60ALS - Solid Core (With Lighting)	1		
Aluminium Body Colors 			

APPLICATION
Pendant Lighting - Indoor use only

MATERIAL
Mechanical needled punch industrial felt.
100% PET up to 60% Recycled content & Recyclable

FIRE RATING
A Class (ASTM E84) - B s1 d0 (EN 13501-1)

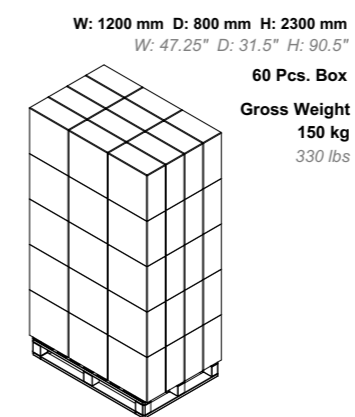
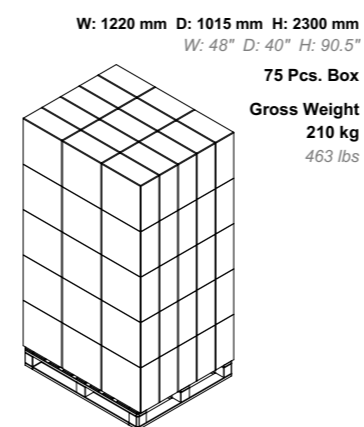
THERMAL INSULATION
0,035 W/mK

WEIGHT
1 unit: 1500 gr. +/- 10% tolerance
1 unit: 3.31 lbs with +/- 10% tolerance

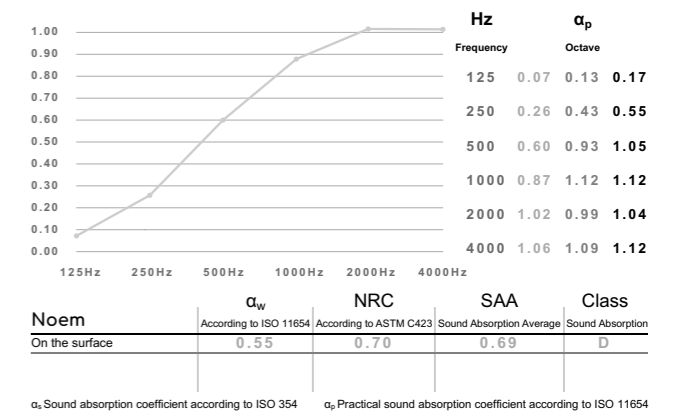
BOX SIZE & CONTENT
W: 420 mm D: 420 mm H: 200 mm
W: 16.5" D: 16.5" H: 7.9"
1 Box: 1 x Acoustic Lighting
Gross weight: 2.5 kg
Gross weight: 5.51 lbs

Luminaire: Ø 100mm 18W / 1800 lm
Control Options: External Driver. ON/OFF, DALI, PushDim, Bluetooth.
CRI>80 or CRI>90
Color Temperature: 2700K, 3000K or 4000K
Diffuser Options: Microprismatic or Opal
CE 220V / 240V LEDs 50/60Hz
Lumen values are calculated at 4000K

PALETTE SIZE & CONTENT



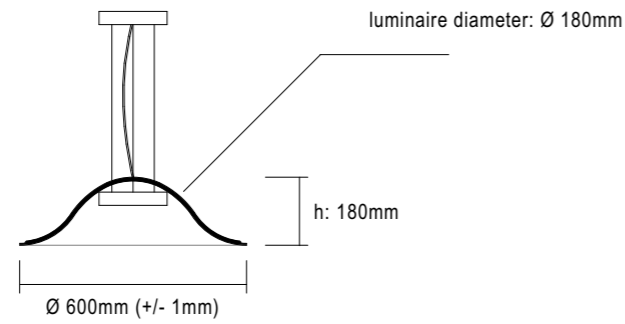
ACOUSTIC PERFORMANCE



Noem Ø 600 Medium Acoustic Lighting

Ø: 600mm x Height: 180mm

LED / Opal or Microprismatic diffuser / Direct Only



Product Code / Description	Box Qty	Felt Color Palettes	Mounting Type
NPM-60ALN - Inherent (With Lighting)	1		
NPM-60ALS - Solid Core (With Lighting)	1		
Aluminium Body Colors			

APPLICATION
Pendant Lighting - Indoor use only

MATERIAL
Mechanical needled punch industrial felt.
100% PET up to 60% Recycled content & Recyclable

FIRE RATING
A Class (ASTM E84) - B s1 d0 (EN 13501-1)

THERMAL INSULATION
0,035 W/mK

WEIGHT
1 unit: 2500 gr. +/- 10% tolerance
1 unit: 5.31 lbs with +/- 10% tolerance

BOX SIZE & CONTENT
W: 620 mm D: 620 mm H: 210 mm
W: 24.41" D: 24.41" H: 8.27"
1 Box: 1 x Acoustic Lighting
Gross weight: 4 kg
Gross weight: 8.82 lbs

Luminaire: Ø 180mm 18W / 1800 lm

Control Options: External Driver. ON/OFF, DALI, PushDim, Bluetooth.

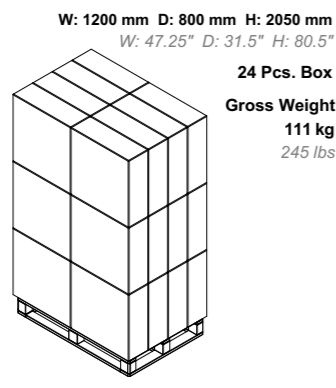
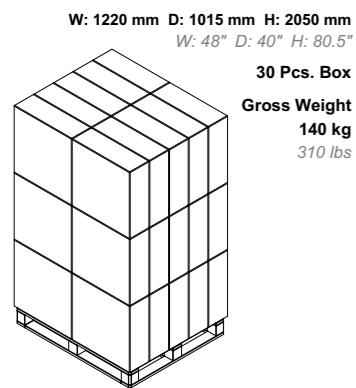
CRI>80 or CRI>90

Color Temperature: 2700K, 3000K or 4000K

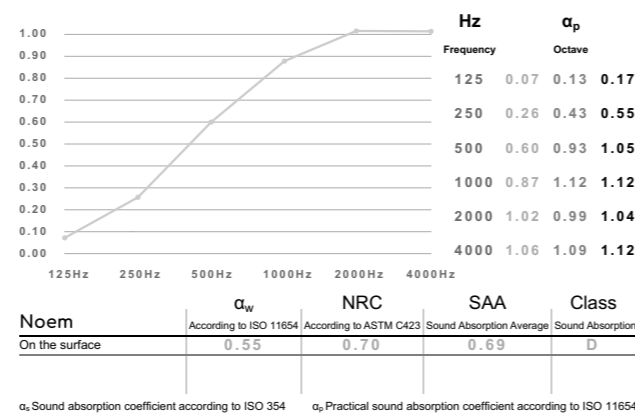
Diffuser Options: Microprismatic or Opal

220V / 240V LEDs 50/60Hz
Lumen values are calculated at 4000K

PALETTE SIZE & CONTENT



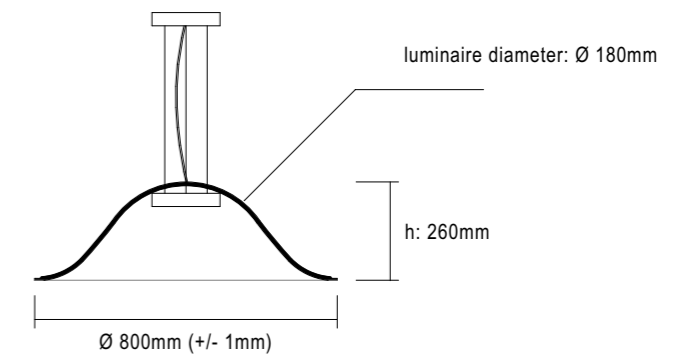
ACOUSTIC PERFORMANCE



Noem Ø 800 Large Acoustic Lighting

Ø: 800mm x Height: 260mm

LED / Opal or Microprismatic diffuser / Direct Only



Product Code / Description	Box Qty	Felt Color Palettes	Mounting Type
NPL-60ALN - Inherent (With Lighting)	1		
NPL-60ALS - Solid Core (With Lighting)	1		
Aluminium Body Colors			

APPLICATION
Pendant Lighting - Indoor use only

MATERIAL
Mechanical needled punch industrial felt.
100% PET up to 60% Recycled content & Recyclable

FIRE RATING
A Class (ASTM E84) - B s1 d0 (EN 13501-1)

THERMAL INSULATION
0,035 W/mK

WEIGHT
1 unit: 3500 gr. +/- 10% tolerance
1 unit: 7.72 lbs with +/- 10% tolerance

BOX SIZE & CONTENT
W: 840 mm D: 840 mm H: 280 mm
W: 33" D: 33" H: 11"
1 Box: 1 x Acoustic Lighting
Gross weight: 5.25 kg
Gross weight: 11.57 lbs

Luminaire: Ø 180mm 18W / 1800 lm

Control Options: External Driver. ON/OFF, DALI, PushDim, Bluetooth.

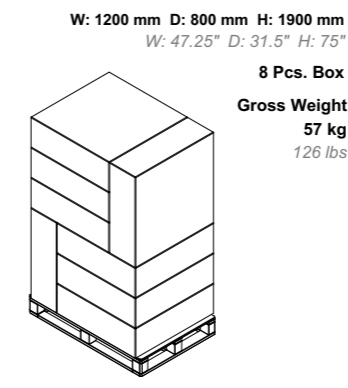
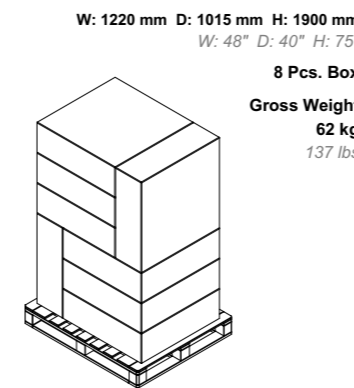
CRI>80 or CRI>90

Color Temperature: 2700K, 3000K or 4000K

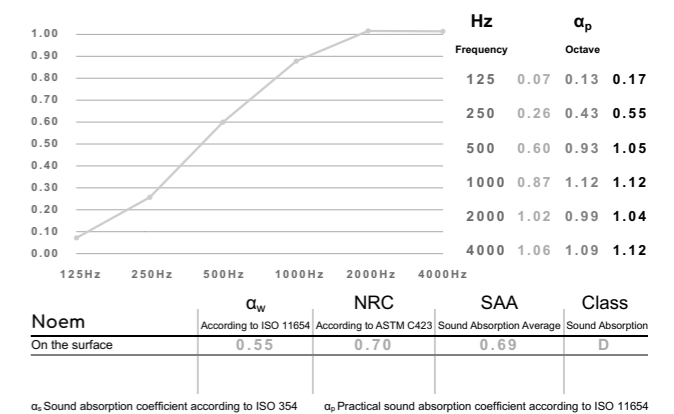
Diffuser Options: Microprismatic or Opal

220V / 240V LEDs 50/60Hz
Lumen values are calculated at 4000K

PALETTE SIZE & CONTENT



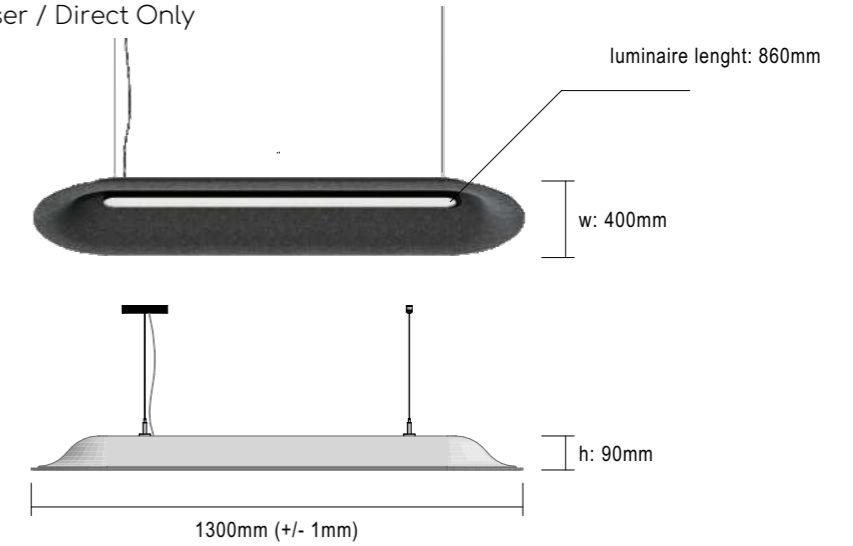
ACOUSTIC PERFORMANCE





400mm x 1300mm Height: 90mm

LED / Opal or Microprismatic diffuser / Direct Only



Product Code / Description	Box Qty	Felt Color Palettes	Mounting Type
NLS-60ALN - Inherent (With Lighting)	1	<p>Inherent Solid Core</p>	<p>Multi-Point Pendant</p>
NLS-60ALS - Solid Core (With Lighting)	1		

Aluminium Body Colors

APPLICATION
Pendant Lighting - Indoor use only

MATERIAL
Mechanical needled punch industrial felt.
100% PET up to 60% Recycled content & Recyclable

FIRE RATING
A Class (ASTM E84) - B s1 d0 (EN 13501-1)

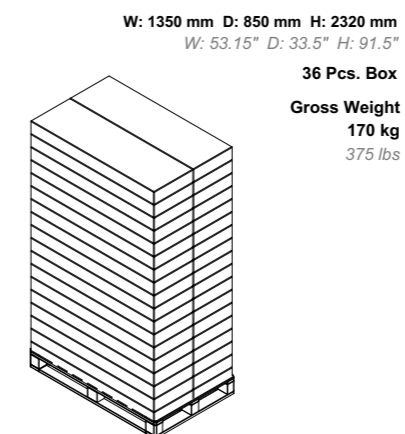
THERMAL INSULATION
0,035 W/mK

WEIGHT
1 unit: 2000 gr. +/- 10% tolerance
1 unit: 4.41 lbs with +/- 10% tolerance

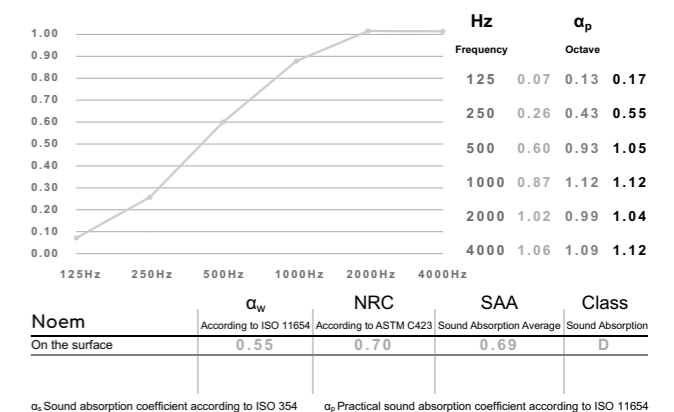
BOX SIZE & CONTENT
W: 430 mm D: 1350 mm H: 120 mm
W: 17" D: 53.15" H: 4.72"
1 Box: 1 x Acoustic Lighting
Gross weight: 4 kg
Gross weight: 8.82 lbs

Luminaire: L: 860mm 20W / 2500 lm
Control Options: External Driver. ON/OFF, DALI, PushDim, Bluetooth.
CRI>80 or CRI>90
Color Temperature: 2700K, 3000K or 4000K
Diffuser Options: Microprismatic or Opal
CE 220V / 240V LEDs 50/60Hz
Lumen values are calculated at 4000K

PALETTE SIZE & CONTENT



ACOUSTIC PERFORMANCE

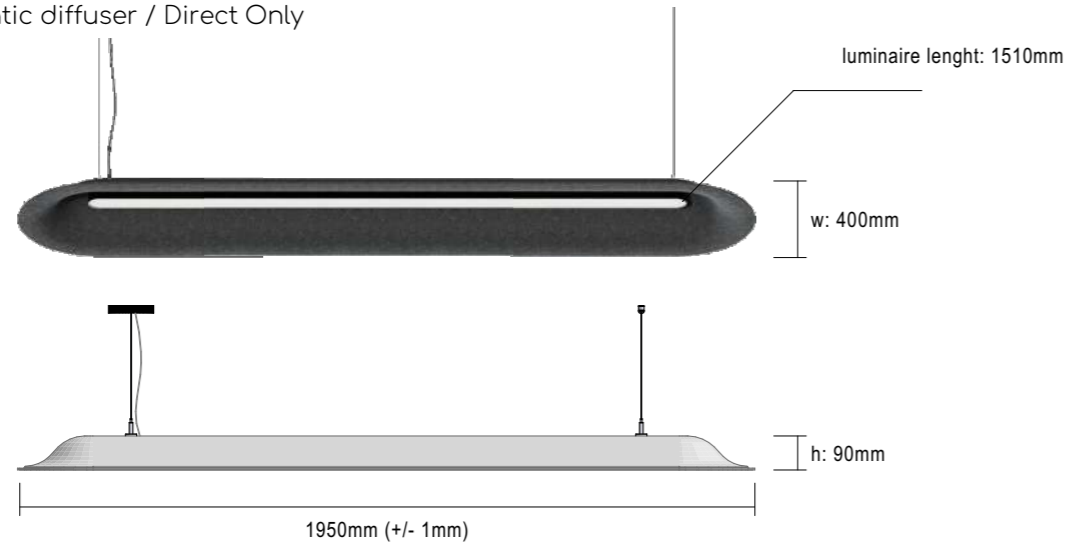


Noem Linear Medium Acoustic Lighting



400mm x 1950mm Height: 90mm

LED / Opal or Microprismatic diffuser / Direct Only



Product Code / Description	Box Qty	Felt Color Palettes	Mounting Type
NLM-60ALN - Inherent (With Lighting)	1		
NLM-60ALS - Solid Core (With Lighting)	1		
Aluminium Body Colors 			

APPLICATION
Pendant Lighting - Indoor use only

MATERIAL
Mechanical needled punch industrial felt.
100% PET up to 60% Recycled content & Recyclable

FIRE RATING
A Class (ASTM E84) - B s1 d0 (EN 13501-1)

THERMAL INSULATION
0,035 W/mK

WEIGHT
1 unit: 3150 gr. +/- 10% tolerance
1 unit: 6.94 lbs with +/- 10% tolerance

BOX SIZE & CONTENT
W: 430 mm D: 2000 mm H: 120 mm
W: 17" D: 78.74" H: 4.72"
1 Box: 1 x Acoustic Lighting
Gross weight: 5.85 kg
Gross weight: 12.90 lbs

Luminaire: L: 1510mm 35W / 3500 lm

Control Options: External Driver. ON/OFF, DALI, PushDim, Bluetooth.

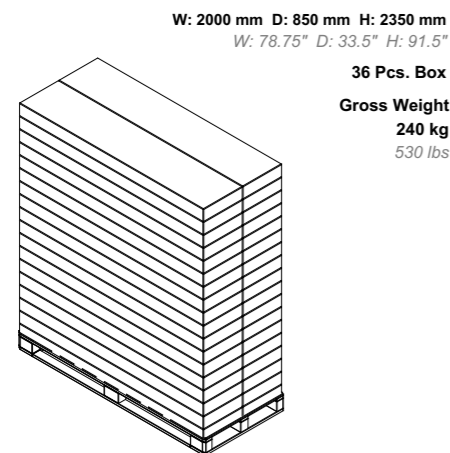
CRI>80 or CRI>90

Color Temperature: 2700K, 3000K or 4000K

Diffuser Options: Microprismatic or Opal

220V / 240V LEDs 50/60Hz
Lumen values are calculated at 4000K

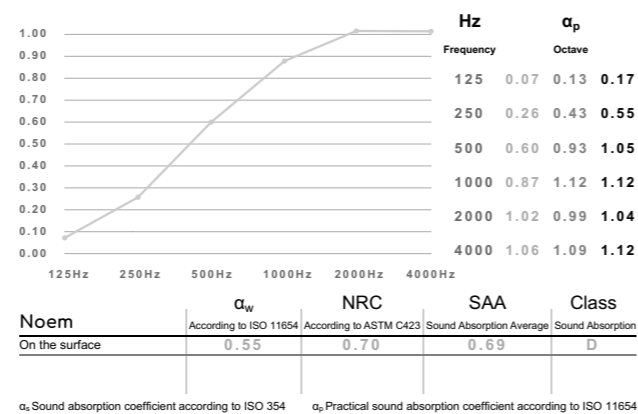
PALETTE SIZE & CONTENT



W: 2000 mm D: 850 mm H: 2350 mm
W: 78.75" D: 33.5" H: 91.5"

36 Pcs. Box
Gross Weight
240 kg
530 lbs

ACOUSTIC PERFORMANCE

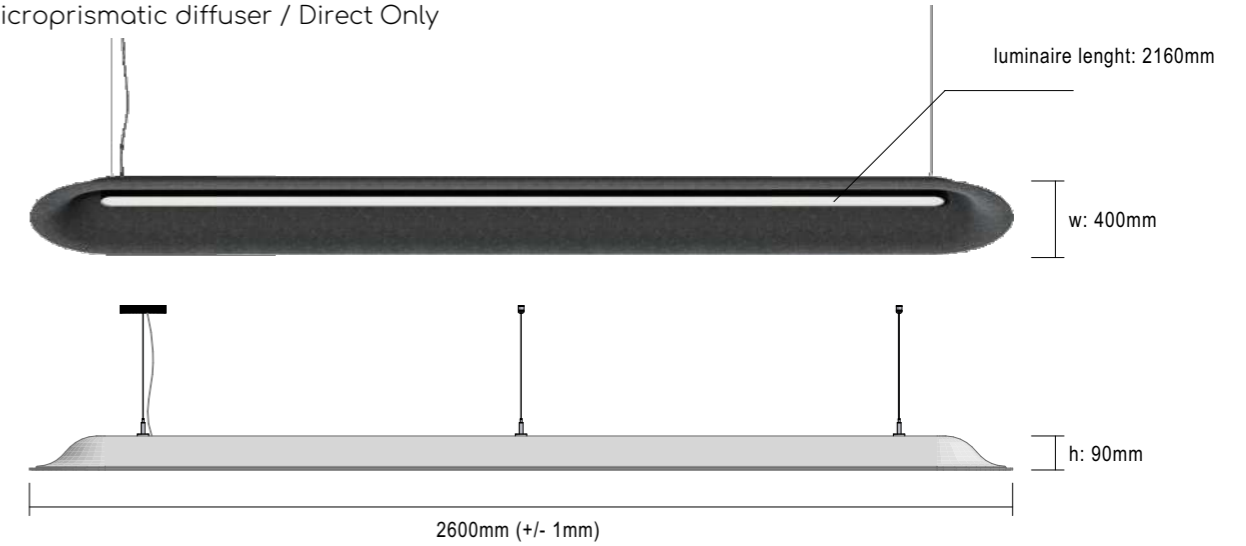


Noem Linear Large Acoustic Lighting



400mm x 2600mm Height: 90mm

LED / Opal or Microprismatic diffuser / Direct Only



Product Code / Description	Box Qty	Felt Color Palettes	Mounting Type
NLL-60ALN - Inherent (With Lighting)	1		
NLL-60ALS - Solid Core (With Lighting)	1		
Aluminium Body Colors 			

APPLICATION
Pendant Lighting - Indoor use only

MATERIAL
Mechanical needled punch industrial felt.
100% PET up to 60% Recycled content & Recyclable

FIRE RATING
A Class (ASTM E84) - B s1 d0 (EN 13501-1)

THERMAL INSULATION
0,035 W/mK

WEIGHT
1 unit: 4150 gr. +/- 10% tolerance
1 unit: 9.15 lbs with +/- 10% tolerance

BOX SIZE & CONTENT
W: 430 mm D: 2650 mm H: 120 mm
W: 17" D: 105" H: 4.72"
1 Box: 1 x Acoustic Lighting
Gross weight: 7.8 kg
Gross weight: 17.20 lbs

Luminaire: L: 2160mm 50W / 5000 lm

Control Options: External Driver. ON/OFF, DALI, PushDim, Bluetooth.

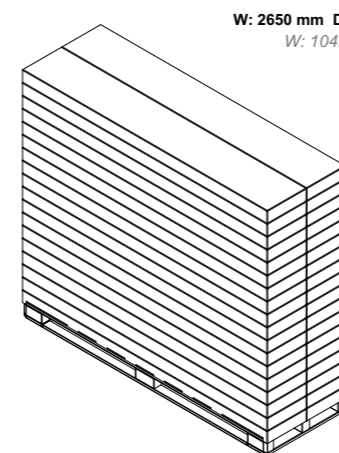
CRI>80 or CRI>90

Color Temperature: 2700K, 3000K or 4000K

Diffuser Options: Microprismatic or Opal

220V / 240V LEDs 50/60Hz
Lumen values are calculated at 4000K

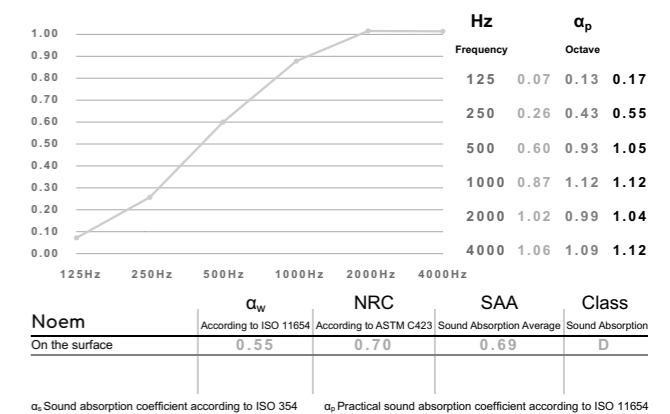
PALETTE SIZE & CONTENT



W: 2650 mm D: 850 mm H: 2350 mm
W: 104.50" D: 33.5" H: 91.5"

36 Pcs. Box
Gross Weight
315 kg
695 lbs

ACOUSTIC PERFORMANCE





ACOUSTERA

Rodeo



Ø: 1100mm x Height: 200mm

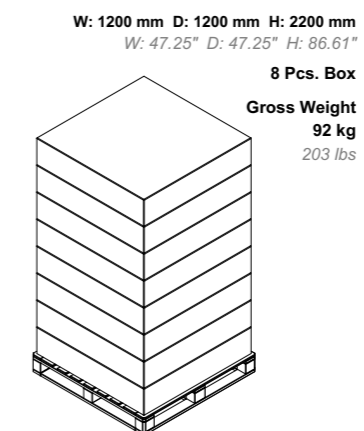
LED / Opal or Microprismatic diffuser / Direct Only



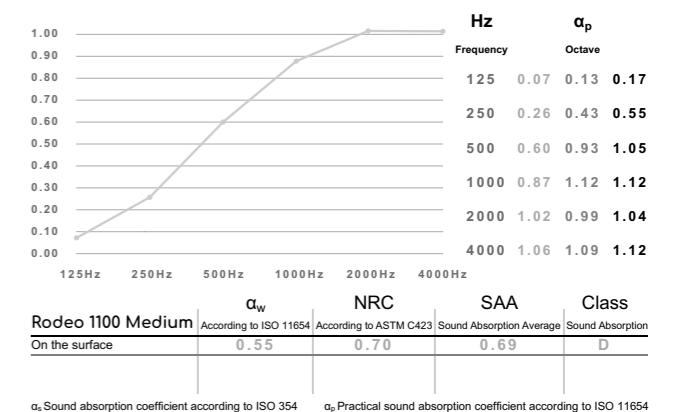
Product Code / Description	Box Qty	Felt Color Palettes	Mounting Type
ROM-60ALN - Inherent (With Lighting)	1	<p>Inherent Solid Core</p>	<p>Single-Point Pendant</p>
ROM-60ALS - Solid Core (With Lighting)	1		
Aluminium Body Colors 			

APPLICATION Pendant Lighting - Indoor use only MATERIAL Mechanical needled punch industrial felt. 100% PET up to 60% Recycled content & Recyclable FIRE RATING A Class (ASTM E84) - B s1 d0 (EN 13501-1) THERMAL INSULATION 0,035 W/mK	WEIGHT 1 unit: 6500 gr. +/- 10% tolerance 1 unit: 14.33 lbs with +/- 10% tolerance BOX SIZE & CONTENT W: 1150 mm D: 1150 mm H: 250 mm W: 45.3" D: 45.3" H: 10" 1 Box: 1 x Acoustic Lighting Gross weight: 9 kg Gross weight: 19.84 lbs	Luminaire: Ø 280mm 23W / 2530 lm Control Options: External Driver. ON/OFF, DALI, PushDim, Bluetooth. CRI>80 or CRI>90 Color Temperature: 2700K, 3000K or 4000K Diffuser Options: Microprismatic or Opal CE 220V / 240V LEDs 50/60Hz Lumen values are calculated at 4000K
--	---	--

PALETTE SIZE & CONTENT



ACOUSTIC PERFORMANCE



Rodeo 1400

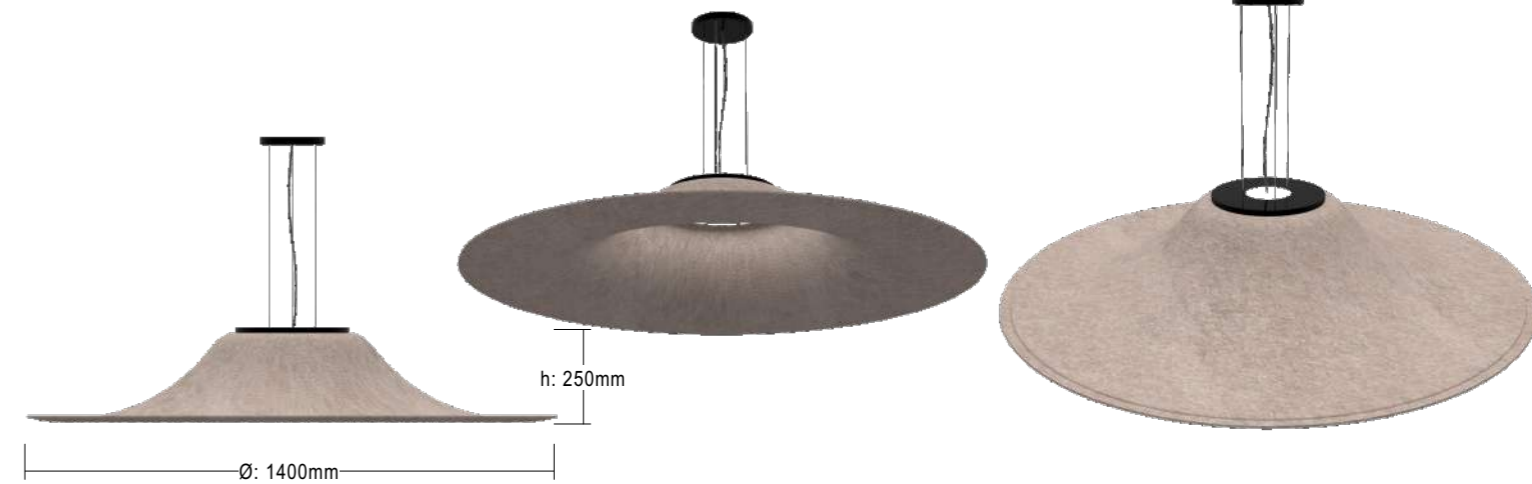


Rodeo Ø 1400 Large Acoustic Lighting



Ø: 1400mm x Height: 250mm

LED / Opal or Microprismatic diffuser / Direct Only



Product Code / Description	Box Qty	Felt Color Palettes	Mounting Type
ROL-60ALN - Inherent (With Lighting)	1	<p>Inherent Solid Core</p>	<p>Single-Point Pendant</p>
ROL-60ALS - Solid Core (With Lighting)	1		
Aluminium Body Colors 			

APPLICATION

Pendant Lighting - Indoor use only

MATERIAL

Mechanical needled punch industrial felt.

100% PET up to 60% Recycled content & Recyclable

FIRE RATING

A Class (ASTM E84) - B s1 d0 (EN 13501-1)

THERMAL INSULATION

0,035 W/mK

WEIGHT

1 unit: 9500 gr. +/- 10% tolerance

1 unit: 21 lbs with +/- 10% tolerance

BOX SIZE & CONTENT

W: 1450 mm D: 1450 mm H: 300 mm

W: 57" D: 57" H: 12"

1 Box: 1 x Acoustic Lighting

Gross weight: 12.25 kg

Gross weight: 27 lbs

Luminaire: Ø 380mm 36W / 3960 lm

Control Options: External Driver. ON/OFF, DALI, PushDim, Bluetooth.

CRI>80 or CRI>90

Color Temperature: 2700K, 3000K or 4000K

Diffuser Options: Microprismatic or Opal

CE 220V / 240V LEDs 50/60Hz

Lumen values are calculated at 4000K

PALETTE SIZE & CONTENT

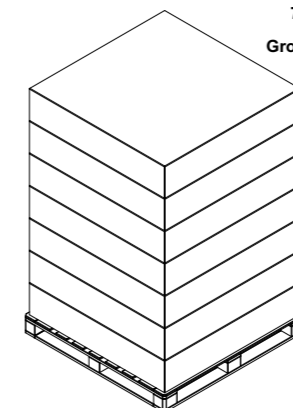
W: 1500 mm D: 1500 mm H: 2300 mm
W: 59" D: 59" H: 90"

7 Pcs. Box

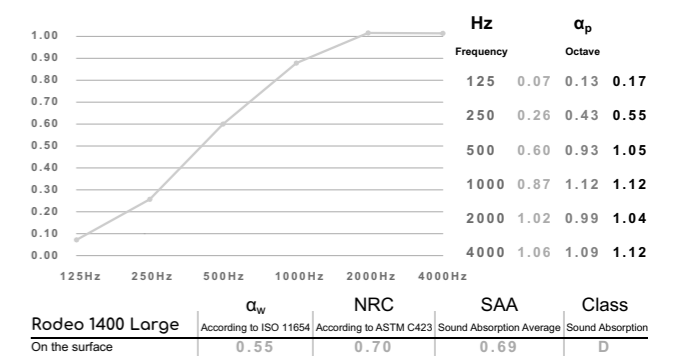
Gross Weight

105 kg

232 lbs



ACOUSTIC PERFORMANCE



α_w Sound absorption coefficient according to ISO 354 α_p Practical sound absorption coefficient according to ISO 11654

Furry



Furry



Furry Ø 500 Acoustic Lighting

Ø: 500mm x Height: 300mm

LED / Opal or Microprismatic diffuser / Direct Only



Product Code / Description	Box Qty	Felt Color Palettes	Mounting Type
FRY-50ALN - Inherent (With Lighting)	1		
FRY-50ALC - Color-IT (With Lighting)	1		
Aluminium Body Colors 			

APPLICATION
Pendant Lighting - Indoor use only

MATERIAL
Mechanical needled punch industrial felt.
100% PET up to 60% Recycled content & Recyclable

FIRE RATING
A Class (ASTM E84) - B s1 d0 (EN 13501-1)

THERMAL INSULATION
0,035 W/mK

WEIGHT
1 unit: 3500 gr. +/- 10% tolerance
1 unit: 7.72 lbs with +/- 10% tolerance

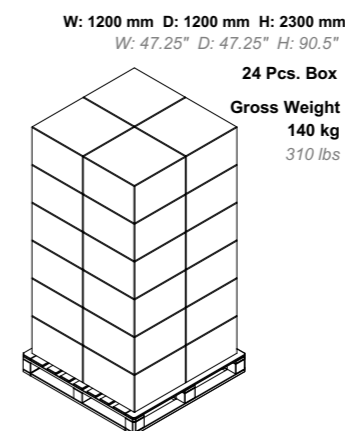
BOX SIZE & CONTENT
W: 550 mm D: 550 mm H: 350 mm
W: 21.65" D: 21.65" H: 13.8"

1 Box: 1 x Acoustic Lighting
Gross weight: 5 kg Gross weight: 11 lbs
Smooth Surface - Impact Resistance - Flexible

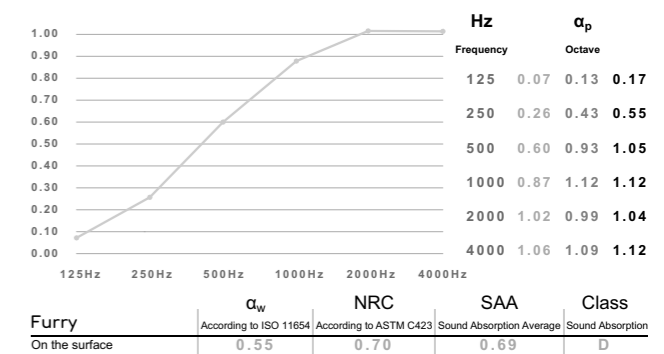
Luminaire: Ø 280mm 10W / 1100 lm
Control Options: External Driver. ON/OFF, DALI, PushDim, Bluetooth.
CRI>80 or CRI>90

Color Temperature: 2700K, 3000K or 4000K
Diffuser Options: Microprismatic or Opal
CE 220V / 240V LEDs 50/60Hz
Lumen values are calculated at 4000K

PALETTE SIZE & CONTENT



ACOUSTIC PERFORMANCE



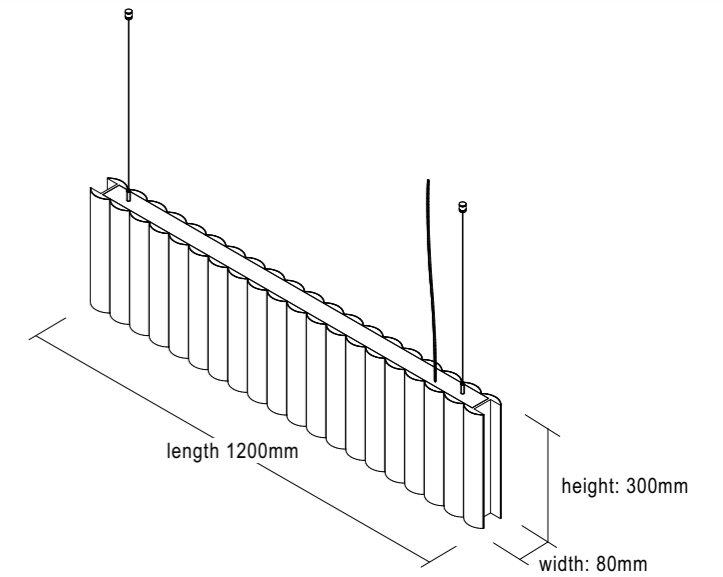
α_w Sound absorption coefficient according to ISO 354 α_p Practical sound absorption coefficient according to ISO 11654

 ACOUSTERA
Roda



1200mm x 300mm x 80mm

LED / Opal or Microprismatic diffuser / Direct Only



Product Code / Description	Box Qty	Felt Color Palettes	Mounting Type
RAS-50ALN - Inherent (With Lighting)	1		
RAS-50ALC - Color-IT (With Lighting)	1		
Aluminium Body Colors 			

APPLICATION
Pendant Lighting - Indoor use only

MATERIAL
Mechanical needled punch industrial felt.
100% PET up to 60% Recycled content & Recyclable

FIRE RATING
A Class (ASTM E84) - B s1 d0 (EN 13501-1)

THERMAL INSULATION
0,035 W/mK

WEIGHT
1 unit: 3500 gr. +/- 10% tolerance
1 unit: 7.72 lbs with +/- 10% tolerance

BOX SIZE & CONTENT
W: 550 mm D: 550 mm H: 350 mm
W: 21.65" D: 21.65" H: 13.8"

1 Box: 1 x Acoustic Lighting
Gross weight: 5 kg Gross weight: 11 lbs
Smooth Surface - Impact Resistance - Flexible

Luminaire: L: 1130mm D: 26W / 2600 lm
D/I: 39W / 3900 lm

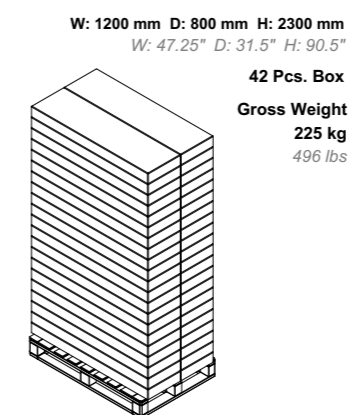
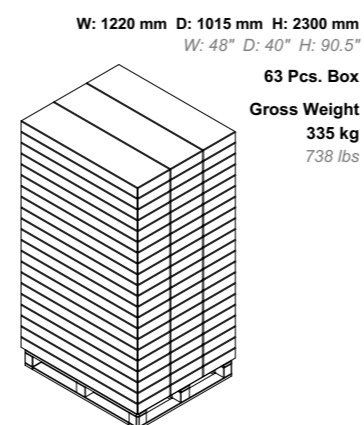
Control Options: External Driver. ON/OFF, DALI, PushDim, Bluetooth. CRI>80 or CRI>90

Color Temperature: 2700K, 3000K or 4000K

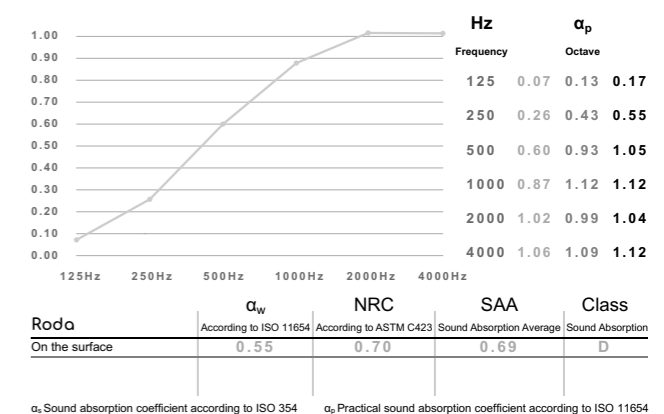
Diffuser Options: Microprismatic or Opal

CE 220V / 240V LEDs 50/60Hz
Lumen values are calculated at 4000K

PALETTE SIZE & CONTENT



ACOUSTIC PERFORMANCE





ACOUSTERA
Dividers on Legs & Casters



Dividers on Legs & Casters



Privacy in Quieter spaces

You can transform your spatial planning with our high-performance sound-absorbing room dividers.

These innovative solutions not only enhance acoustic comfort but also facilitate the creation of personal areas, allowing you to design private spaces tailored to your needs.

Experience a new level of functionality and tranquility in your environment.

Oblong Large
On Casters
w:1200mm h:1800mm



Oblong Large
On Legs
w:1200mm h:1800mm



Frame Large
On Casters
w:1200mm h:1200mm



Frame Large
On Legs
w:1200mm h:1200mm



Rotund Large
On Legs
R:1200mm



Coleo Large
On Legs
w:1200mm h:1800mm



Rotund L - Divider Sound-Absorbing Divider



Ø:1200mm x Thickness: 45mm H: 1300mm Base Ø: 400mm

DIVIDER

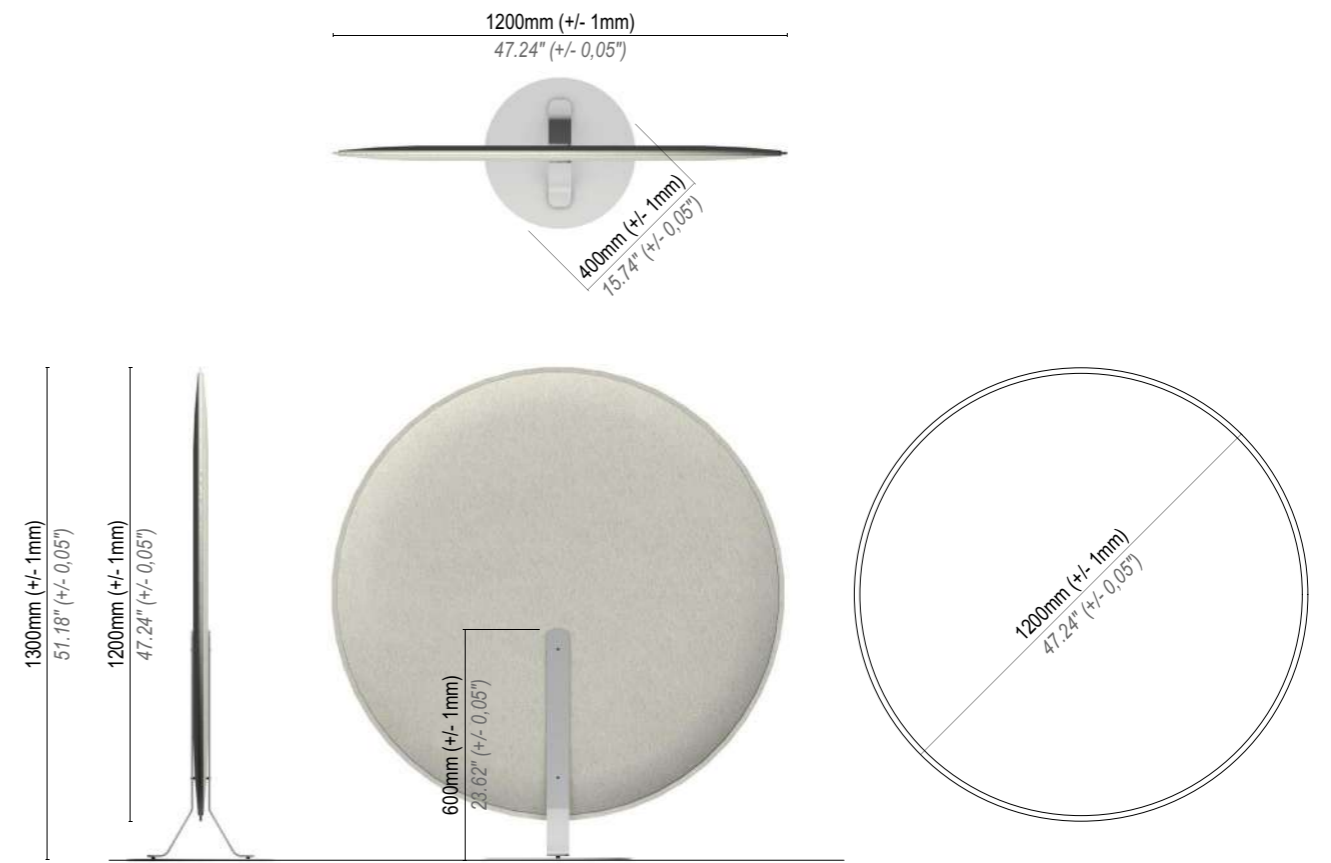


Rotund L - Divider Sound-Absorbing Divider



Ø:1200mm x Thickness: 45mm H: 1300mm Base Ø: 400mm

DIVIDER



APPLICATION

Divider - Indoor use only

MATERIAL

Mechanical needled punch industrial felt.
100% PET up to 60% Recycled content & Recyclable

FIRE RATING

A Class (ASTM E84) - B s1 d0 (EN 13501-1)

THERMAL INSULATION

0,035 W/mK

WEIGHT

1 unit: 9000 gr. +/- 10% tolerance

1 unit: 19.84 lbs with +/- 10% tolerance

THICKNESS



Max. 45mm (+/- 2mm) - 1.77" (+/-0.08")

Min. 8mm (+/- 2mm) - 0.31" (+/-0.08")

Smooth Surface - Impact Resistance - Flexible

BOX SIZE & CONTENT

W: 1220 mm D: 1220 mm H: 120 mm

W: 48.03" D: 48.03" H: 4.72"

1 Box: 2 x panels

1 Color of choice per package

Gross weight: 20 kg

Gross weight: 44 lbs

PALETTE SIZE & CONTENT

W: 1220 mm D: 1015 mm H: 1400 mm
W: 48" D: 40" H: 55"

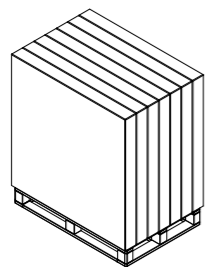
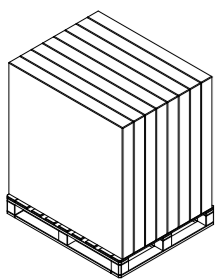
8 Pcs. Box

Gross Weight
180 kg
396 lbs

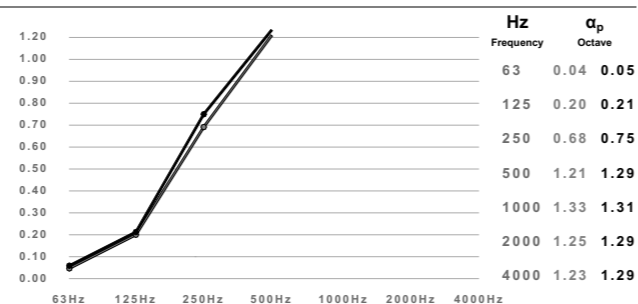
W: 1200 mm D: 800 mm H: 1400 mm
W: 47.25" D: 31.5" H: 55"

7 Pcs. Box

Gross Weight
160 kg
353 lbs



ACOUSTIC PERFORMANCE



	α_w	NRC	SAA	Class
Rotund Large				
Distance to surface: 50mm	0.95	1.00	1.00	A
Distance to surface: 100mm	1.00	1.00	1.00	A

α_w Sound absorption coefficient according to ISO 354 α_p Practical sound absorption coefficient according to ISO 11654

Product Code / Description

Box Qty

Felt Color Palettes

Metal Colors

RLD-30BFN - Inherent

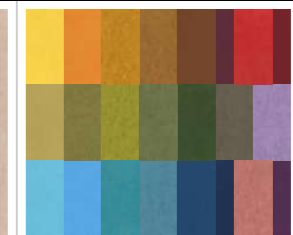
2



Inherent

RLD-30BFC - Color-IT

2



Color-IT



Coleo L - Divider Sound-Absorbing Divider



1200mm x 1800mm Thickness: 45mm H: 1900mm Base Ø: 400mm

DIVIDER




APPLICATION
Wall & Ceiling - Indoor use only

MATERIAL
Mechanical needled punch industrial felt.
100% PET up to 60% Recycled content & Recyclable

FIRE RATING
A Class (ASTM E84) - B s1 d0 (EN 13501-1)

THERMAL INSULATION
0,035 W/mK

WEIGHT
1 unit: 12.000 gr. +/- 10% tolerance
1 unit: 26.45 lbs with +/- 10% tolerance

THICKNESS

Max. 45mm (+/- 2mm) - 1.77" (+/-0.08")
Min. 8mm (+/- 2mm) - 0.31" (+/-0.08")

Smooth Surface - Impact Resistance - Flexible

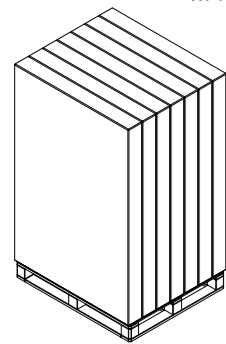
BOX SIZE & CONTENT
W: 1220 mm D: 1820 mm H: 120 mm
W: 48.03" D: 71.65" H: 4.72"

1 Box: 2 x panels

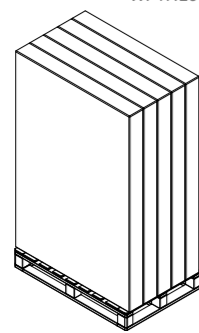
1 Color of choice per package
Gross weight: 27 kg
Gross weight: 59.52 lbs

PALETTE SIZE & CONTENT

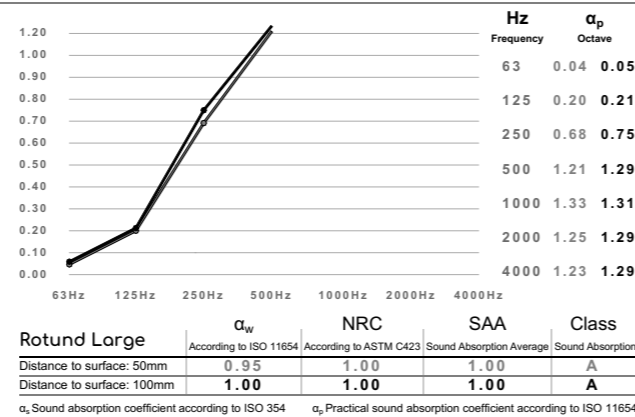
W: 1220 mm D: 1015 mm H: 2000 mm
W: 48" D: 40" H: 79"
8 Pcs. Box
Gross Weight
240 kg
530 lbs



W: 1200 mm D: 800 mm H: 2000 mm
W: 47.25" D: 31.5" H: 79"
7 Pcs. Box
Gross Weight
205 kg
452 lbs



ACOUSTIC PERFORMANCE

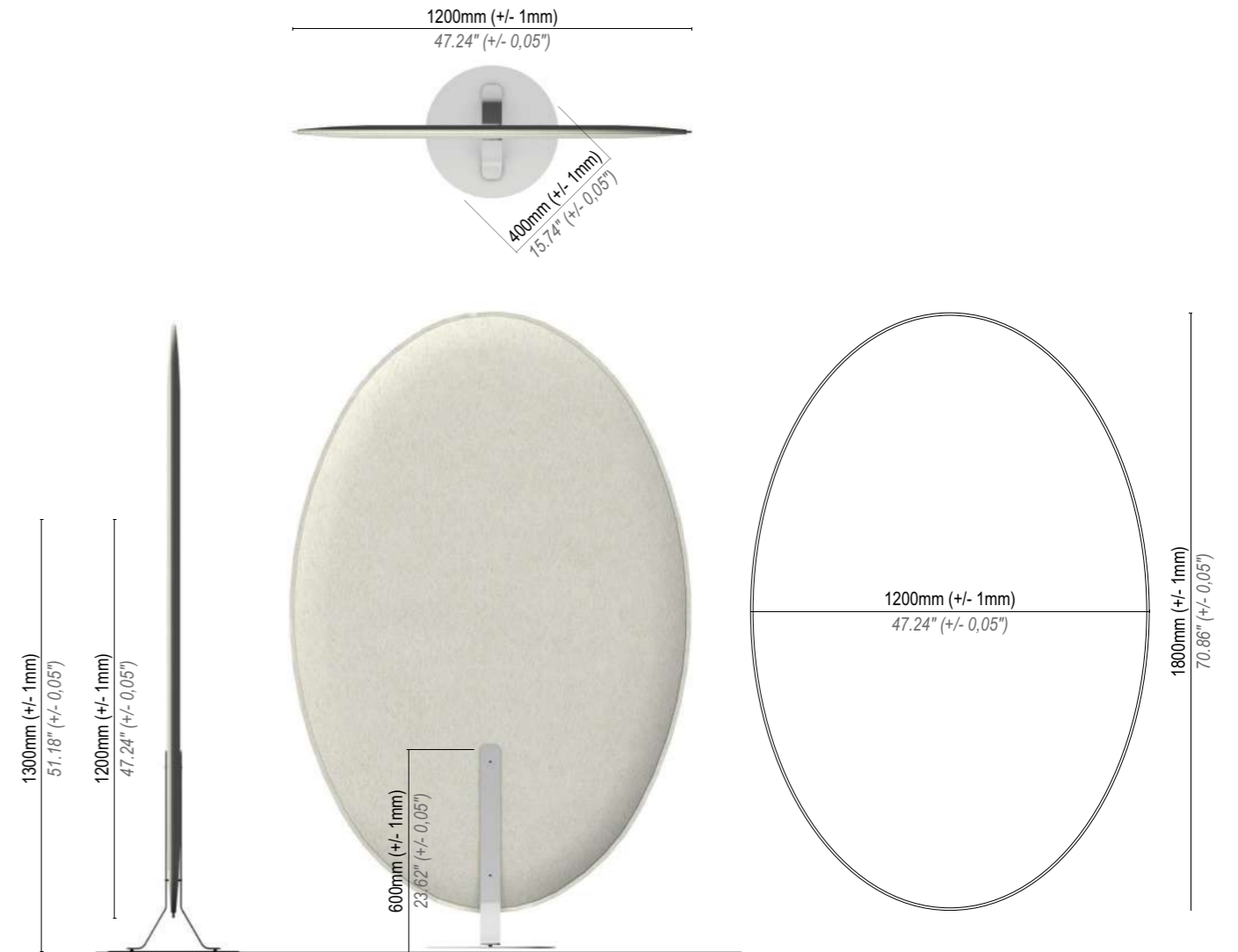




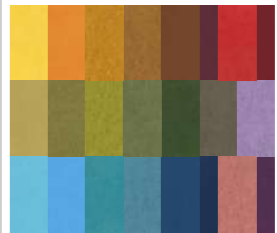
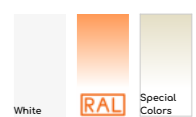
Coleo L - Divider Sound-Absorbing Divider



Ø:1200mm x Thickness: 45mm H: 1300mm Base Ø: 400mm

DIVIDER



Product Code / Description	Box Qty	Felt Color Palettes	Metal Colors
CLD-30BFC - Inherent	2		
CLD-30BFC - Color-IT	2		

Frame L - Divider Sound-Absorbing Divider



1200mm x 1200mm Thickness: 45mm H: 1300mm Base: 120 x 400mm

DIVIDER ON CASTERS



DIVIDER ON LEGS



APPLICATION
Wall & Ceiling - Indoor use only

MATERIAL
Mechanical needled punch industrial felt.
100% PET up to 60% Recycled content & Recyclable

FIRE RATING
A Class (ASTM E84) - B s1 d0 (EN 13501-1)

THERMAL INSULATION
0,035 W/mK

WEIGHT
1 unit: 11.000 gr. +/- 10% tolerance
1 unit: 24.25 lbs with +/- 10% tolerance

THICKNESS

Max. 45mm (+/- 2mm) - 1.77" (+/- 0.08")
Min. 8mm (+/- 2mm) - 0.31" (+/- 0.08")

Smooth Surface - Impact Resistance - Flexible

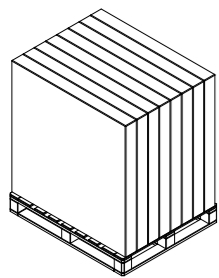
BOX SIZE & CONTENT
W: 1220 mm D: 1220 mm H: 120 mm
W: 48.03" D: 48.03" H: 4.72"

1 Box: 2 x panels

1 Color of choice per package
Gross weight: 25 kg
Gross weight: 55.11 lbs

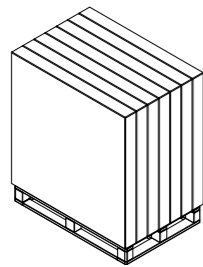
W: 1220 mm D: 1015 mm H: 1400 mm
W: 48" D: 40" H: 55"

8 Pcs. Box
Gross Weight
220 kg
485 lbs

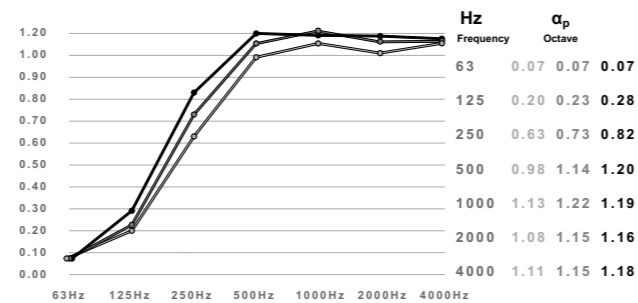


W: 1200 mm D: 800 mm H: 1400 mm
W: 47.25" D: 31.5" H: 55"

7 Pcs. Box
Gross Weight
190 kg
420 lbs



ACOUSTIC PERFORMANCE



	α_w	NRC	SAA	Class
Rotund Large				
On the surface	0.90	1.00	0.96	A
Distance to surface: 50mm	1.00	1.00	1.00	A
Distance to surface: 100mm	1.00	1.00	1.00	A

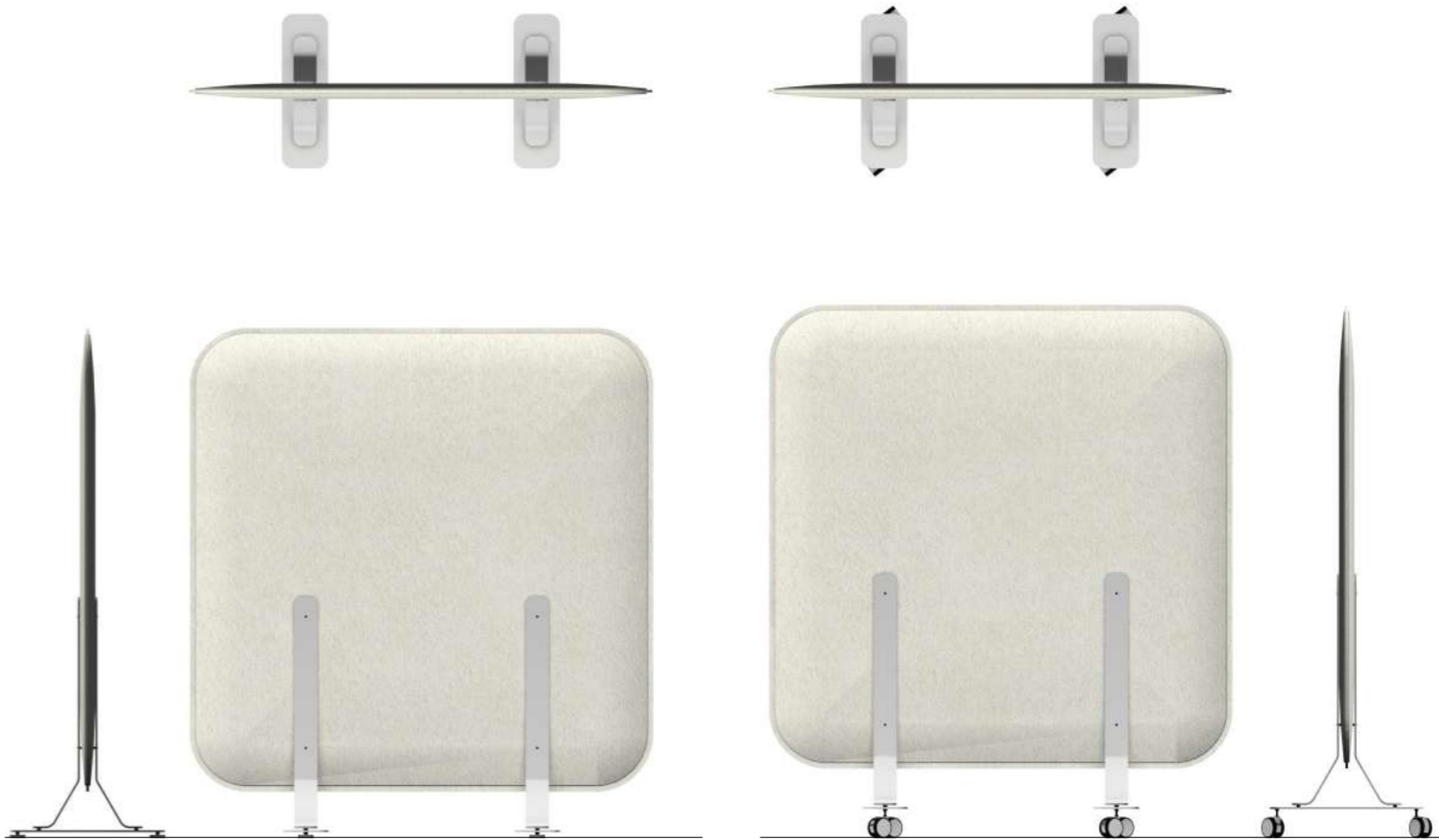
α_w Sound absorption coefficient according to ISO 354 α_p Practical sound absorption coefficient according to ISO 11654

Frame L - Divider Sound-Absorbing Divider



1200mm x 1200mm Thickness: 45mm H: 1300mm Base: 120 x 400mm

DIVIDER



Product Code / Description	Box Qty	Felt Color Palettes	Metal Colors
FLD-30BPN - Inherent	2		
FLD-30BCN - Inherent + Casters	2		
FLD-30BPC - Color-IT	2		
FLD-30BCC - Color-IT + Casters	2		

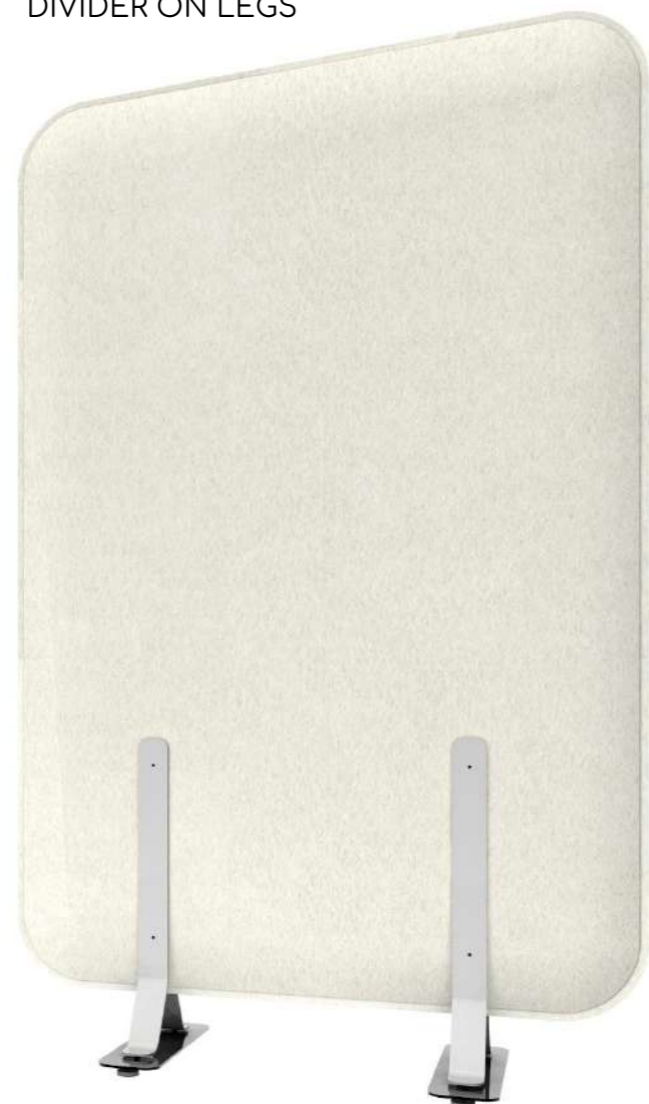
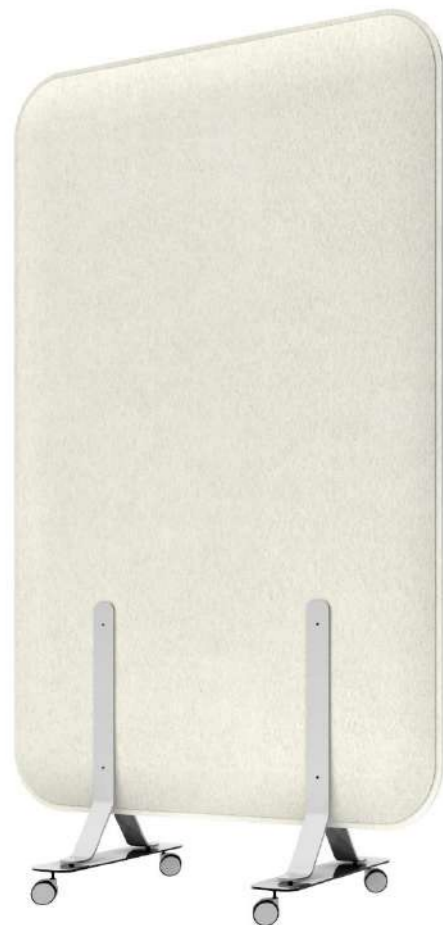
Oblong L - Divider Sound-Absorbing Divider



1200mm x 1800mm Thickness: 45mm H: 1900mm Base: 120 x 400mm

DIVIDER ON CASTERS

DIVIDER ON LEGS



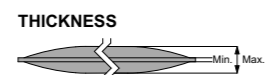
APPLICATION
Wall & Ceiling - Indoor use only

MATERIAL
Mechanical needled punch industrial felt.
100% PET up to 60% Recycled content & Recyclable

FIRE RATING
A Class (ASTM E84) - B s1 d0 (EN 13501-1)

THERMAL INSULATION
0,035 W/mK

WEIGHT
1 unit: 4500 gr. +/- 10% tolerance
1 unit: 9.92 lbs with +/- 10% tolerance



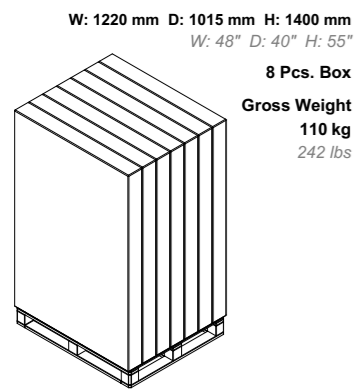
THICKNESS
Max. 45mm (+/- 2mm) - 1.77" (+/-0.08")
Min. 8mm (+/- 2mm) - 0.31" (+/-0.08")

Smooth Surface - Impact Resistance - Flexible

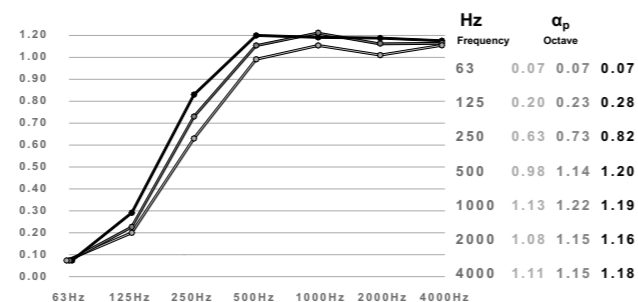
BOX SIZE & CONTENT
W: 1220 mm D: 1220 mm H: 120 mm
W: 48.03" D: 48.03" H: 4.72"

1 Box: 2 x panels
1 Box: 2.842 m²
1 Box: 30.591 ft²

1 Color of choice per package
Gross weight: 12 kg
Gross weight: 26.45 lbs



ACOUSTIC PERFORMANCE



	α_w	NRC	SAA	Class
Rotund Large	0.90	1.00	0.96	A
On the surface	0.90	1.00	0.96	A
Distance to surface: 50mm	1.00	1.00	1.00	A
Distance to surface: 100mm	1.00	1.00	1.00	A

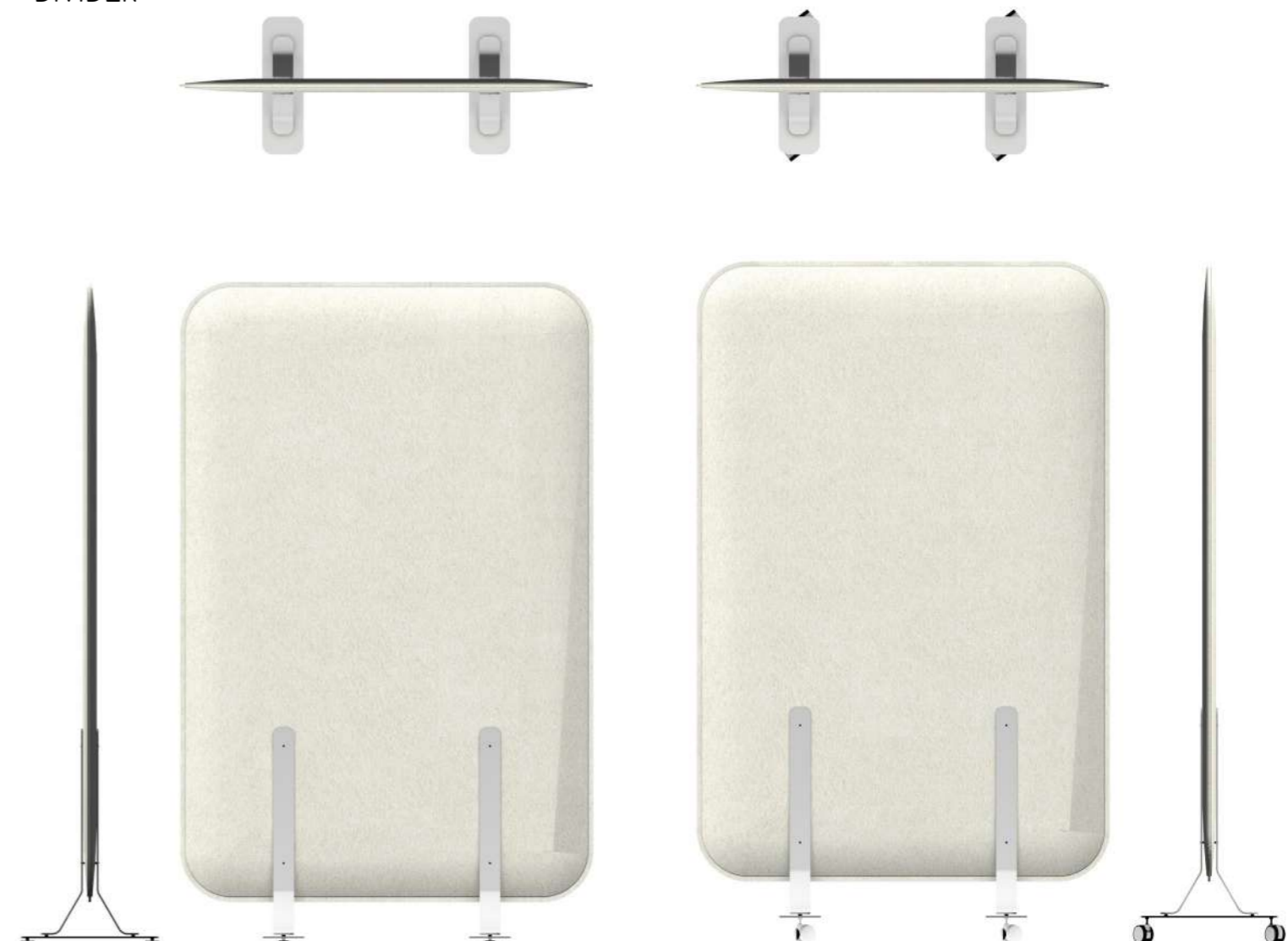
α_w Sound absorption coefficient according to ISO 354 α_p Practical sound absorption coefficient according to ISO 11654

Oblong L - Divider Sound-Absorbing Divider



1200mm x 1800mm Thickness: 45mm H: 1900mm Base: 120 x 400mm

DIVIDER



Product Code / Description

Box Qty

Felt Color Palettes

Metal Colors

OLD-30BPN - Inherent

2

OLD-30BCN - Inherent + Casters

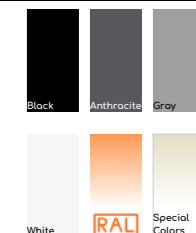
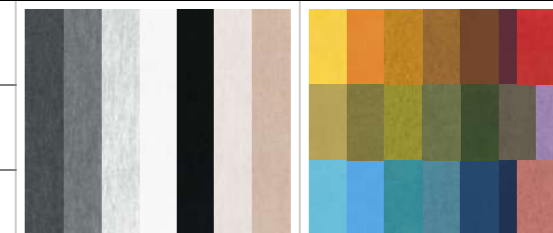
2

OLD-30BPC - Color-IT

2

OLD-30BCC - Color-IT + Casters

2



Inherent

Color-IT

 ACOUSTERA
Bold L - Divider



Bold L - Divider Sound-Absorbing Divider



1400mm x 1200mm Thickness: 30mm

DIVIDER



APPLICATION
Wall & Ceiling - Indoor use only

MATERIAL
Mechanical needled punch industrial felt.
100% PET up to 60% Recycled content & Recyclable

FIRE RATING
A Class (ASTM E84) - B s1 d0 (EN 13501-1)

THERMAL INSULATION
0,035 W/mK

WEIGHT
1 unit: 12.000 gr. +/- 10% tolerance
1 unit: 26.45 lbs with +/- 10% tolerance



THICKNESS
Max. 45mm (+/- 2mm) - 1.77" (+/-0.08")
Min. 8mm (+/- 2mm) - 0.31" (+/-0.08")

Smooth Surface - Impact Resistance - Flexible

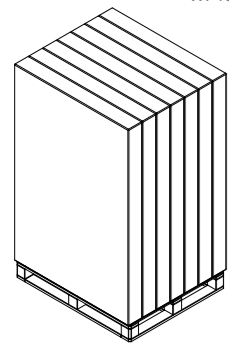
BOX SIZE & CONTENT
W: 1420 mm D: 1820 mm H: 120 mm
W: 55.90" D: 71.65" H: 4.72"

1 Box: 2 x panels

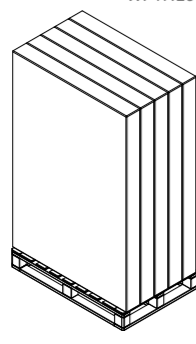
1 Color of choice per package
Gross weight: 27 kg
Gross weight: 59.52 lbs

PALETTE SIZE & CONTENT

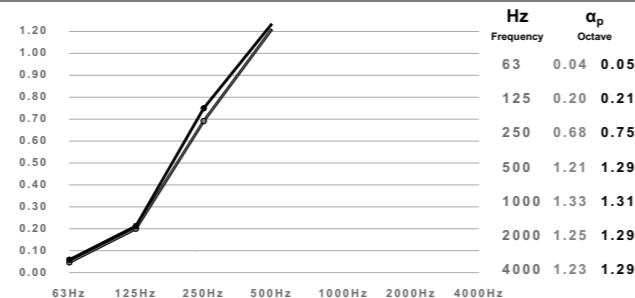
W: 1220 mm D: 1015 mm H: 2000 mm
W: 48" D: 40" H: 79"
8 Pcs. Box
Gross Weight
240 kg
530 lbs



W: 1200 mm D: 800 mm H: 2000 mm
W: 47.25" D: 31.5" H: 79"
7 Pcs. Box
Gross Weight
205 kg
452 lbs



ACOUSTIC PERFORMANCE



	α_w	NRC	SAA	Class
Bold Large				
Distance to surface: 50mm	0.95	1.00	1.00	A
Distance to surface: 100mm	1.00	1.00	1.00	A

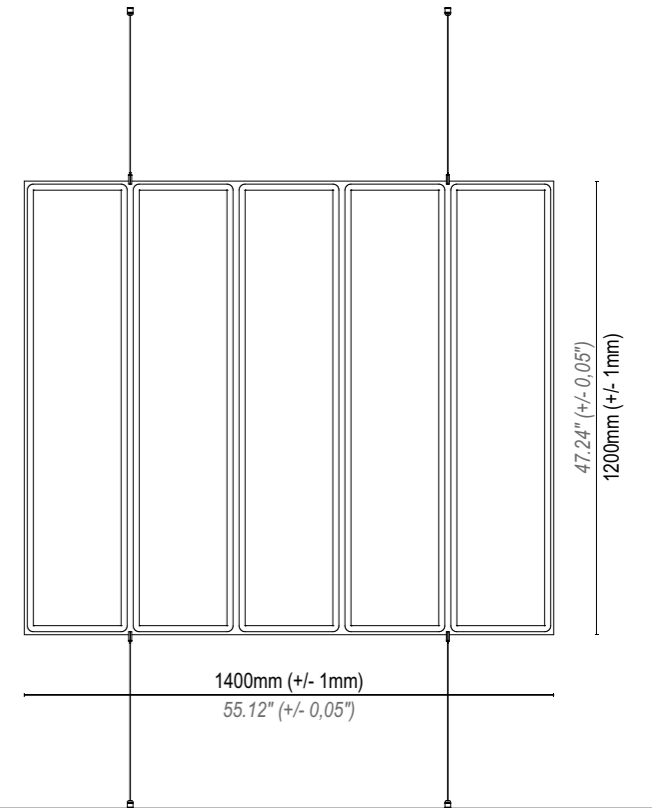
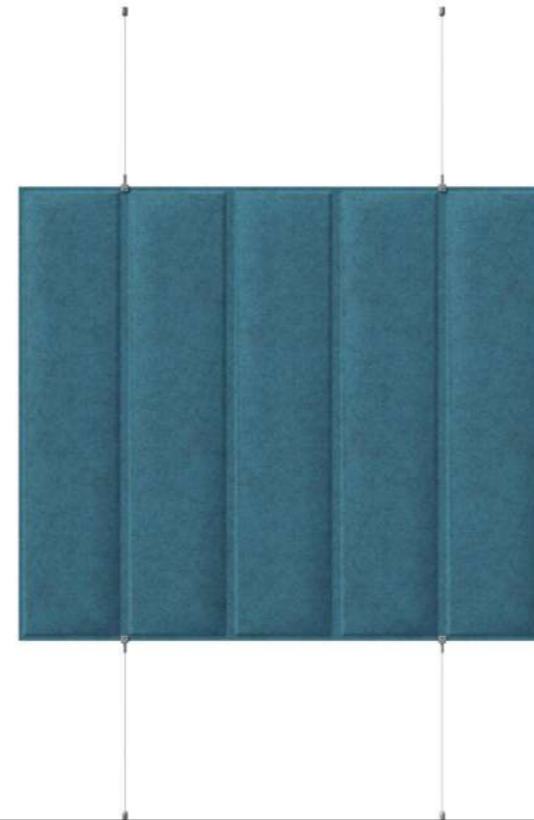
α_w Sound absorption coefficient according to ISO 354 α_p Practical sound absorption coefficient according to ISO 11654

Bold L - Divider Sound-Absorbing Divider



1400mm x 1200mm Thickness: 30mm

DIVIDER



Product Code / Description	Box Qty	Felt Color Palettes
BLD-30LHN - Inherent	2	
BLD-30LHC - Color-IT	2	
		Inherent Color-IT





Colors & Textures

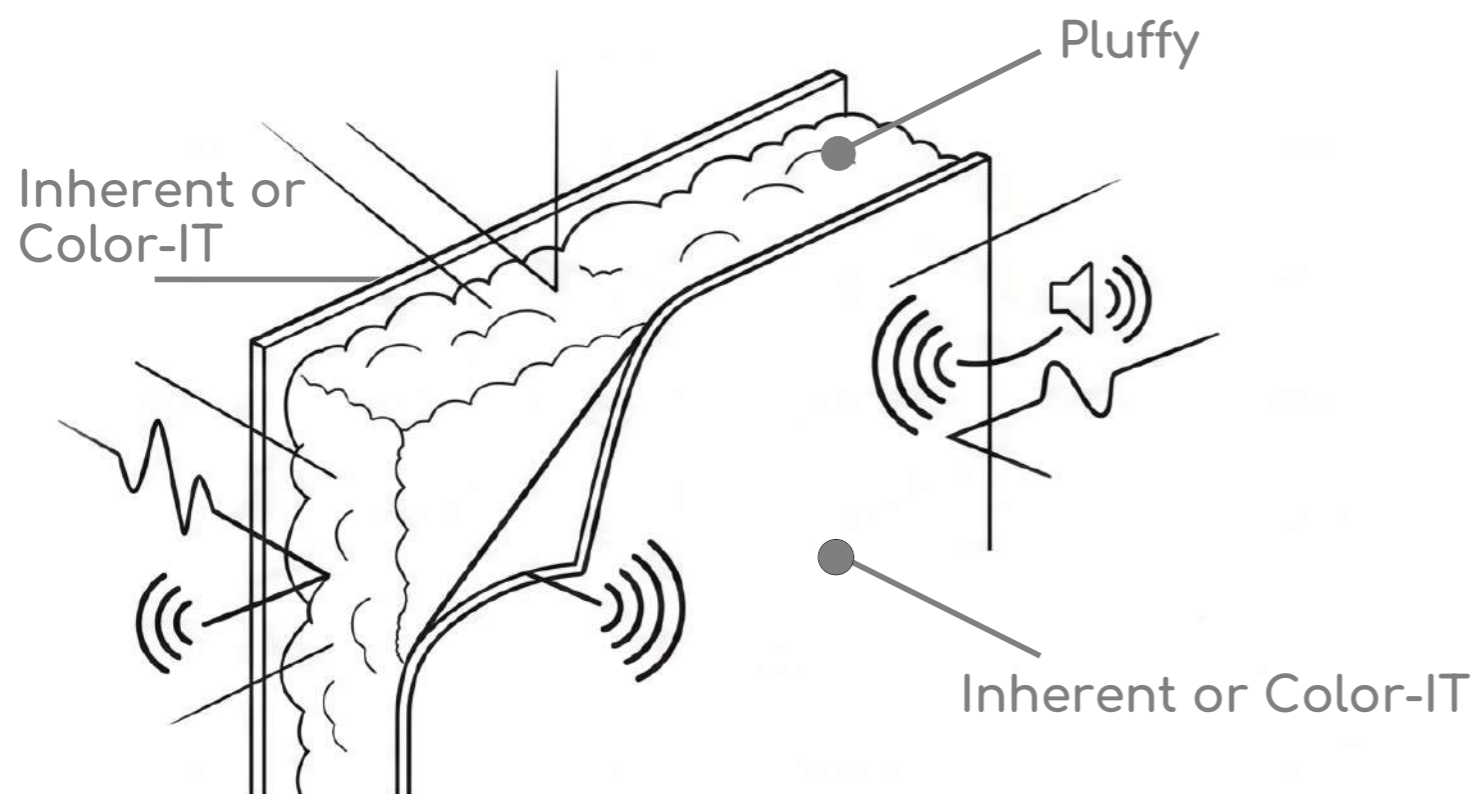
At Acoustera, we believe that superior acoustic performance should never come at the expense of aesthetic vision. Our felt collections are engineered to harmonize high-frequency sound absorption with a limitless palette of colors and textures.

To help you select the perfect finish for your project, we offer three distinct production techniques, each utilizing our curated felt palettes:



Pluffy: The New Standard in Sound Absorption

Pluffy represents our latest innovation in acoustic engineering. This specialized raw material is designed specifically for maximum sound absorption. By laminating our felt palettes onto the Pluffy core, we create a composite material that captures a wider range of frequencies, resulting in unparalleled acoustic comfort.



3D Forming: Structural Elegance

Our 3D-formed products bring depth and geometry to a space. These architectural elements are heat-pressed to maintain rigid, beautiful shapes while providing essential sound diffusion.

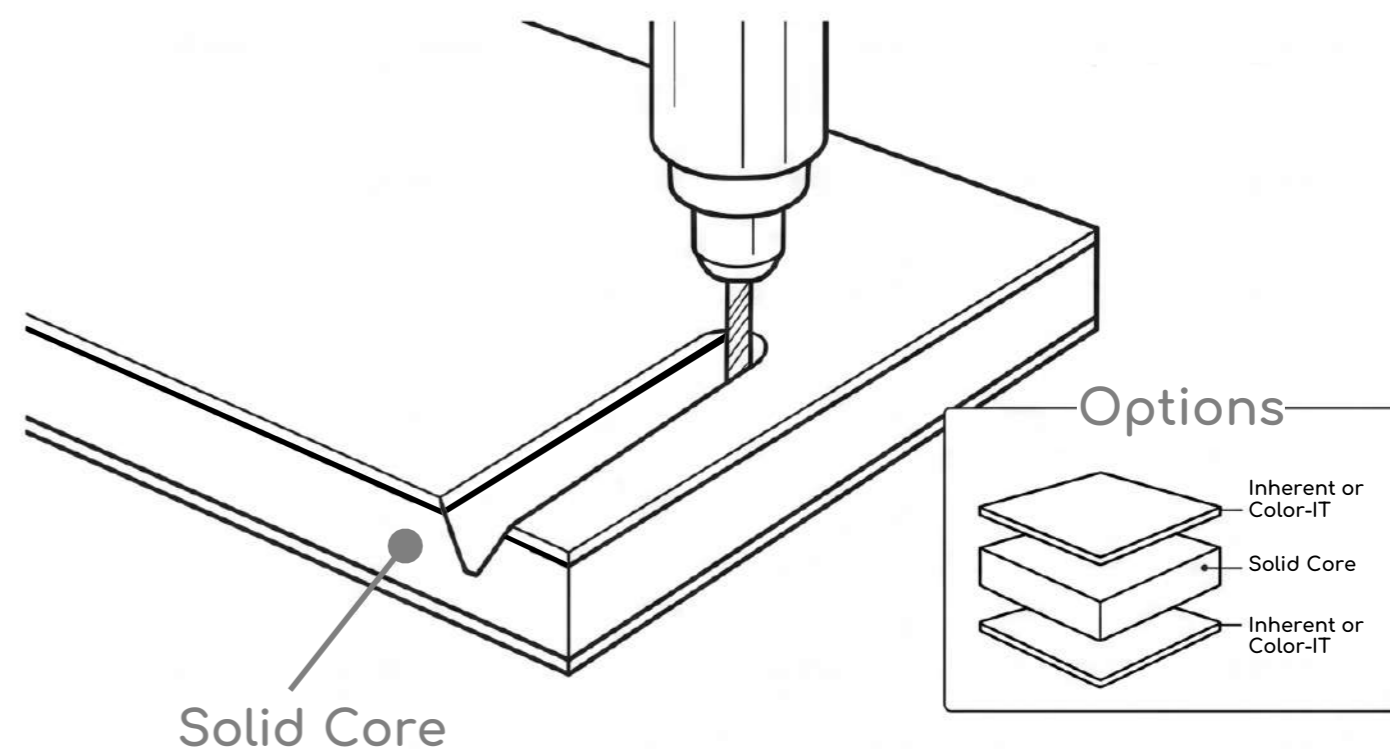


Baseliner Series: The Foundation of Design

Baseliner is our versatile felt sheet collection. This series is the ultimate canvas for architects and designers.

Custom Lamination: Baseliner sheets feature a Solid Core base that can be laminated on one or both sides with Color-IT or Inherent felts.

CNC V-Cut Precision: By laminating different colors, we can perform CNC V-cuts on the surface to reveal the core color beneath, creating striking multi-colored linear patterns and custom branding.



"Expanded Color Library: Refer to www.acoustera.com for our full range and latest updates, including the newest seasonal additions and technical specifications. Minor batch variations may occur. Acoustera reserves the right to update, modify or discontinue any finish without prior notice.



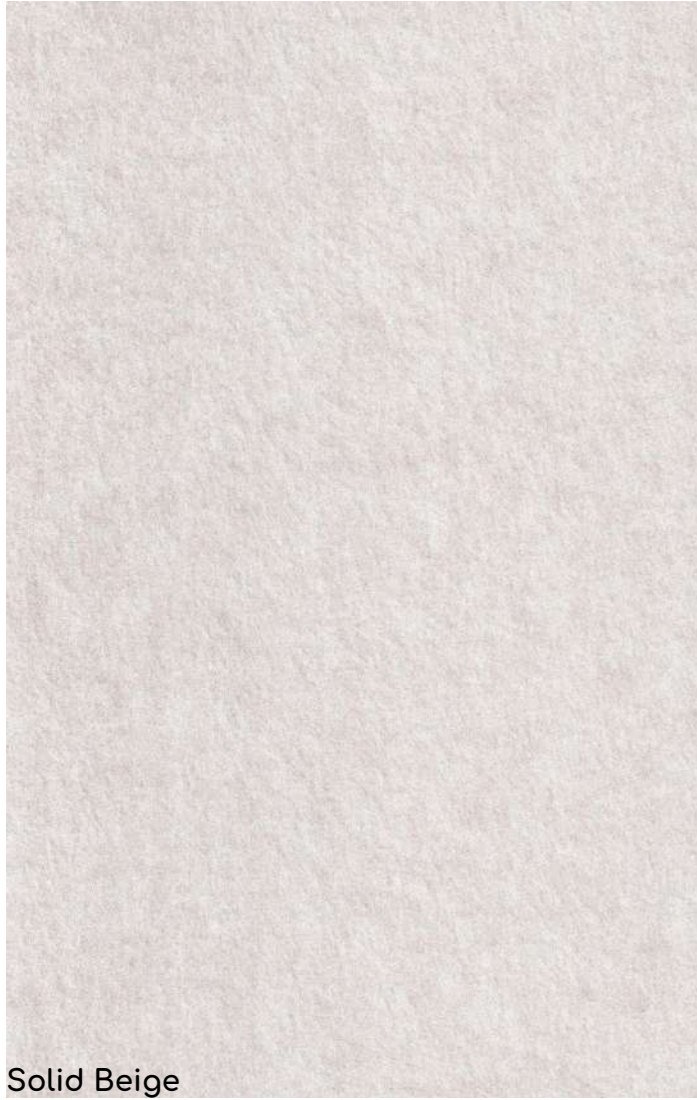
The colors displayed in this palette may not accurately represent their true appearance on screen.

"Expanded Color Library: Refer to www.acoustera.com for our full range and latest updates, including the newest seasonal additions and technical specifications. Minor batch variations may occur. Acoustera reserves the right to update, modify or discontinue any finish without prior notice.

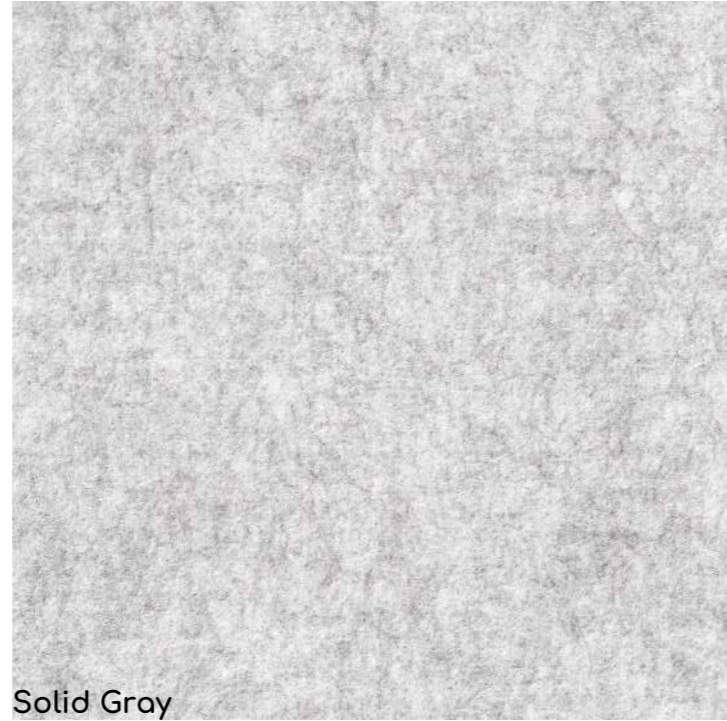


The colors displayed in this palette may not accurately represent their true appearance on screen.

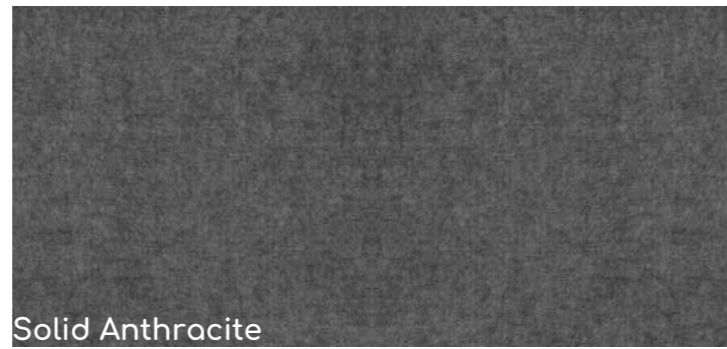
"Expanded Color Library: Refer to www.acoustera.com for our full range and latest updates, including the newest seasonal additions and technical specifications. Minor batch variations may occur. Acoustera reserves the right to update, modify or discontinue any finish without prior notice.



Solid Beige



Solid Gray



Solid Anthracite



Solid Green



Solid Sand



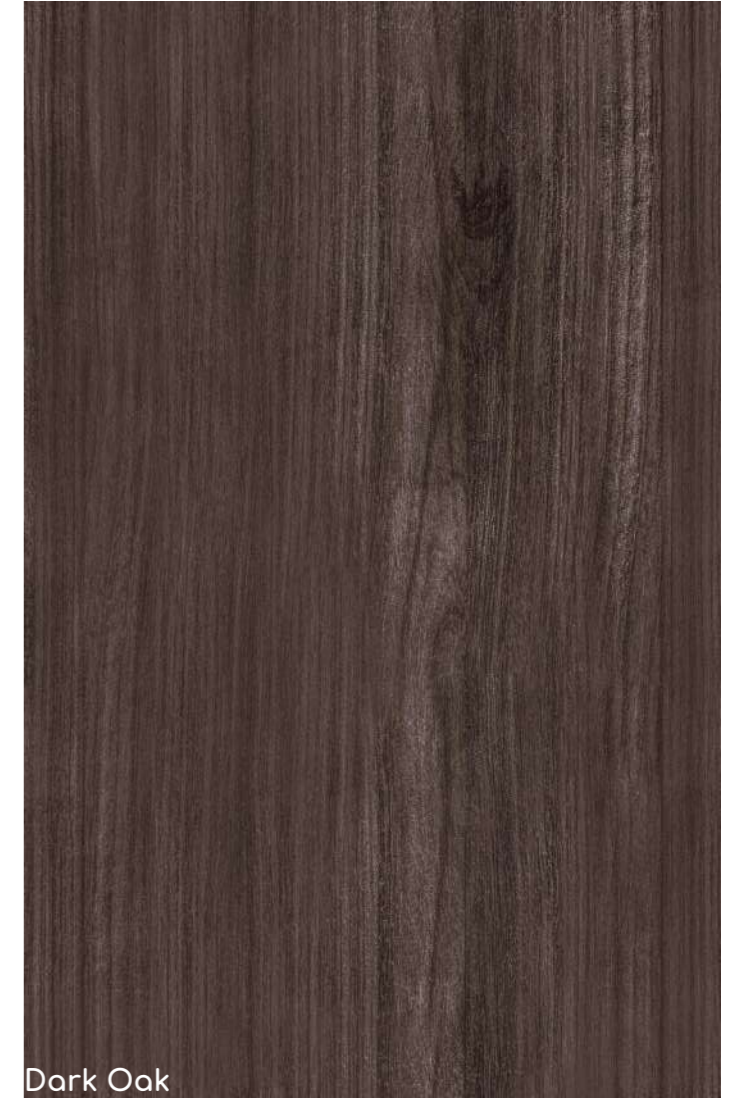
Solid Black

The colors displayed in this palette may not accurately represent their true appearance on screen.

"Expanded Color Library: Refer to www.acoustera.com for our full range and latest updates, including the newest seasonal additions and technical specifications. Minor batch variations may occur. Acoustera reserves the right to update, modify or discontinue any finish without prior notice.



Light Oak



Dark Oak

The colors displayed in this palette may not accurately represent their true appearance on screen.

Acoustera specializes in designing and manufacturing high-performance PET Felt acoustic solutions that enhance both sound quality and interior aesthetics.

Introducing Pluffy

Our New Invention in Acoustic Raw Material & Design

Sustainability

Is At The Core of What We Do

Certified Excellence

Our excellence is proven through rigorous testing and certification.

Stylish & Versatile

Our products are designed like modular building blocks giving you the freedom to "Mix & Match", for creating exactly what you need.

Up to A class Sound Absorbing Pluffy fiber technology	Air Permeability ISO 9237: 1995 - 584.8 l/m2/sec	Does Not Hold Moisture	Moisture Resistance & UV Exposure	Suspended Ceilings - Requirements And Test Methods. EN 13964 : 2014 - "B" Class PASSED					
100% Recyclable	60% Material from Recycled PET	Fibre Composition ISO 1833 - 100,0 % Polyester	Thermal insulation 0,035 W/mK	Plastics Artificial radiation or weathering in devices - Part 3: UV fluorescent lamps. EN 4892-3: 2016 - PASSED					
99.9% Antibacterial test (ISO-20743:2013)	Low VOC SNV 195 651:1968 Emission free Odourless	Non-Toxic No Chemicals Formaldehyde Free ISO 14184-1:2011	Flame Resistant US: ASTM E 84 A Class EU: B-s1,d0 (EN 13501-1)	Light fastness 4+ (ISO-105 B02)					
Color Fastness To Pool Water; ISO 105 E03:2010 Color Change: 4-5 (Slightly Change - NoChange)	NV-CE-01-1702/26	Compatible Variety of Standard Sizes	Easy to Install	Easy to Process	Easy to Clean	Durable	Lightweight	Pinnable	Impact Resistant Flexible

ACOUSTERA guarantees to its customers that its products are free from material, production, and assembly defects.

ACOUSTERA A.Ş. declares that ACOUSTERA branded products carry a warranty period of 10 years, provided they are used indoors. This warranty period is valid for 10 years from the date of delivery within the conditions specified.

Warranty Coverage:

This warranty covers defects in material, production, and assembly that arise during the warranty period under normal use and service. Please note that this warranty applies specifically to the felt material used in our products.

This warranty does not cover damages caused by the following conditions:

- Damages occurring due to customer fault or misuse.
- Vandalism.
- Plumbing infrastructure and external assembly defects.
- Defects arising from unauthorized installation by persons lacking sufficient technical expertise or professional equipment.
- Defects that may arise from electrical, mechanical & sanitary installations.
- Interventions or repairs other than those specified in the enclosed maintenance instructions.
- Any defects caused by non-manufacturing errors are outside the scope of this warranty.

How to make a claim:

- Notification: Contact our support team via info@acoustera.com within thirty (30) days of discovering the defect.
- Required Documentation: Please provide a copy of your original invoice or proof of purchase, along with the date of delivery.
- Evidence: Include a detailed description of the issue and clear photographs showing the defect.
- Inspection: ACOUSTERA A.Ş. reserves the right to inspect the product on-site or request that the product be returned for evaluation before a remedy is provided.

Upon validation of the claim, ACOUSTERA A.Ş. will, at its discretion, either repair the defective product or provide a replacement.

Maintenance Guidelines:

- To prevent soil build-up, vacuum panels gently and regularly using a soft upholstery attachment to remove airborne dust and lint.
- Do not wash.
- Do not bleach.
- Do not iron.
- Do not tumble dry.
- Do not dry clean.

Regular cleaning:


- Gently vacuum with a soft upholstery attachment.
- For in door use only, avoid direct sunlight.
- Professional cleaning is recommended.


Spot cleaning:

- Remove stains immediately.
- Do not rub or brush excessively.
- Use only upholstery detergent for cleaning.
- Gently clean with a damp cloth using warm water.

Hungary Sales - Authorized dealer




 H-1036 Budapest, 1 Nagyszombat Street
Hungary


 General Inquiry & Sales
dezso@pontlight.com


Turkiye Sales - Authorized dealer



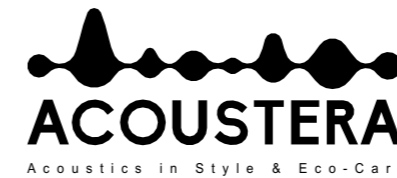
Baf Control


 Atalar Mah. Çanakkale Cad.
No: 31/4 Kartal - İstanbul / Türkiye


 Phone
+90 (216) 353 5363

 General Inquiry & Sales
info@bafcontrol.com

World Sales



 Kültür Mah. Öz Sk. Öz İşhanı No:1D
81010 Merkez - Düzce / Türkiye

 General Inquiry
info@acoustera.com

 Sales
sales@acoustera.com